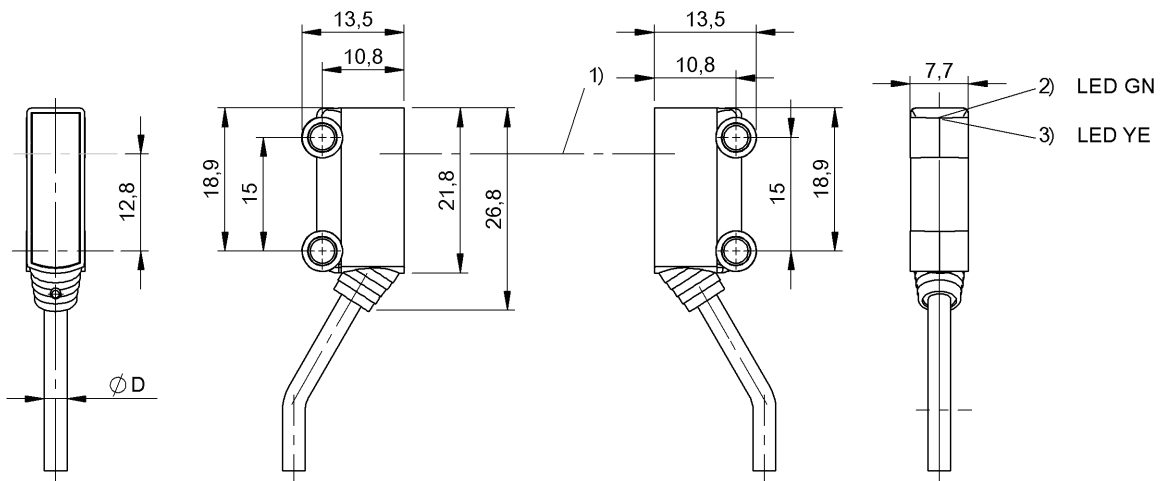
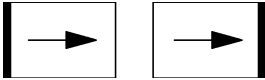


BOS R020K-PS-RX11-02
Order code: BOS0211

Photoelectric sensor
 Series R020K
 Through-beam
 Sn = 2 m

DC, direct current
 PNP (1x)
 NO: dark-on
 800 Hz
 LED, red light

BALLUFF
sensors worldwide



1) Optical axis 2) Power 3) Light reception

Basic data

Operating voltage UB DC 10.0 V... 30.0 V
 Eff. operating voltage Ue DC 24.0 V
 Ripple max. (% of Ue) 10 %
 No-load current max. Io at Ue 15 mA
 20 mA

Polarity reversal protected yes
 Indicator Power - LED GN

Ambient temperature Ta Light receipt - LED YE
 -25 °C... 55 °C

Optical data

Principle of optical operation Through-beam
 Operating range Ro 0...2 m
 Light type LED, red light
 Wavelength 660 nm
 Light spot size, typical Ø23 mm at 500 mm
 Ambient light max. 5,000 Lux

Electrical data

Eff. operating distance Sr 2,000 mm
 Switching output PNP (1x)
 Switching function NO

Eff. operating current Ie 100 mA
 Switching freq. f max. (at Ue) 800 Hz
 Turn on time ton max. 0.63 ms
 Turn off time toff max. 0.63 ms
 Voltage drop Ud max. (at Ie) 2.0 V
 Short circuit protected yes

Mechanical data

Style Block, 60° connection
 Dimensions 7.7 mm x 13.5 mm x 26.8 mm
 Mounting type Screw M3
 Housing material PC, PBT
 Werkstoff aktive Fläche PMMA
 Degree of protec. per IEC60529 IP67
 Connection type Cable
 Cable length 2.00 m
 Number of conductors 2
 3
 Conductor cross-section 0.20 mm²
 Cable jacket material PVC

Approval

Approvals / Conformity CE
 cULus

000000000000/243248/0000000000

www.balluff.com

Balluff Germany: +49 7158 173-0, +49 7158 173-370
 Balluff USA: +1-800-543-8390
 Balluff China: +86 21 5089 9970

1 (2)
 Print Date: 14.08.2015
 Selection date: 14.08.2015

BOS R020K-PS-RX11-02
Order code: BOS0211

Photoelectric sensor
Series R020K
Through-beam
Sn = 2 m

DC, direct current
PNP (1x)
NO: dark-on
800 Hz
LED, red light

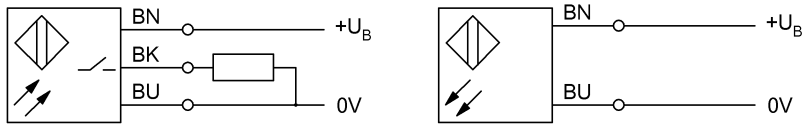
Remarks

Basic standard IEC 60947-5-2
Operating object (test target): Gray card, 200 x 200, lateral approach
For additional information, refer to user's guide.
Order accessories separately.



Definitions see general catalog

Subject to change without notice.



000000000000/243248/000000000