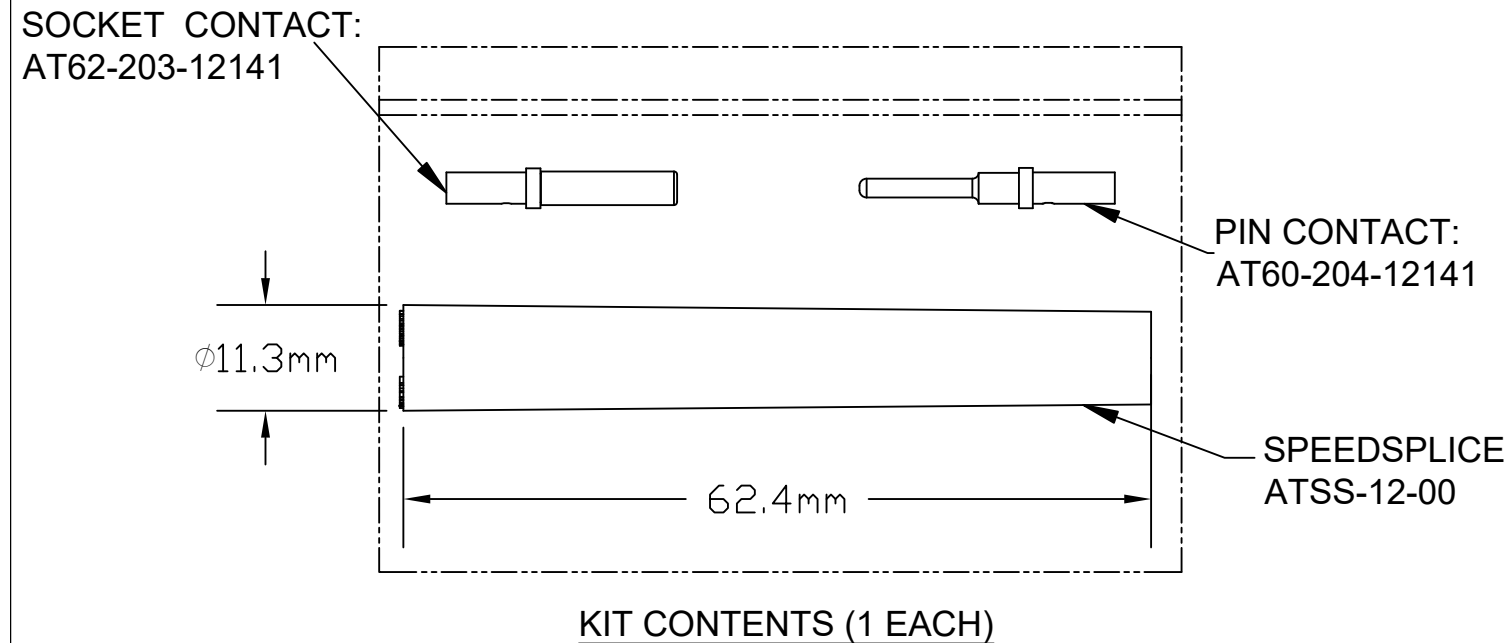


CONTACT SIZE	MIN. INSUL O.D	MAX. INSUL O.D	TYPICAL WIRE RANGE	CURRENT RATING
12	3.40mm (.134 in)	4.32mm (.170 in)	12-14AWG	25 AMPS

REVISIONS					
REV	ECO	DESCRIPTION	DATE	BY	APPR
A1	-	RELEASE	11APR2019	JAH	-



P/N	DEUTSCH CROSS
ATSS-12-00	JS-12-00
AT60-204-12141	0460-204-12141
AT62-203-12141	0462-203-12141

1. MATERIAL:
CONTACTS: COPPER ALLOY; NICKEL PLATED
INTEGRATED CONTACT RETENTION SYSTEM
SPEEDSPlice SEAL: SILICONE RUBBER

2. CONTACT SIZE: 12


3. SPECIFICATIONS:
3.1 CURRENT RATING: 25AMPS
3.2 CONTACT MILLIVOLT DROP: 60MILLIVOLT
DROP @ 125AMP TEST CURRENT.
3.3 RoHS COMPLIANT

4. RECOMMENDED WIRE RANGE: 12-14AWG

5. AVAILABLE HAND CRIMPER: CA-5D12

6. ALL DIMENSIONS ARE FOR REFERENCE USE ONLY

ASSY P/N	RECOMMENDED WIRE RANGE	PIN CONTACT P/N	SOCKET CONTACT P/N
ATSS-12-KIT01	12-14AWG	AT60-204-12141	AT62-203-12141

QUANTITY	PART NUMBER	DESCRIPTION	ITEM														
MATERIALS LIST																	
UNLESS OTHERWISE SPECIFIED 1) All dimensions are in metric (mm). 2) Tolerances are as follows: 1 PL DEC ±0.30 2 PL DEC ±0.15 Fractions ±1/64 3 PL DEC ±0.08 Angles ±1° 3) Note reference = 		SIGNATURES DATE DRAWN: J.HEAD 11APR2019 CHECKED: ENGINEER: APPROVAL: CUSTOMER:															
MATERIAL SPECIFICATIONS:		<h1 style="text-align: center;">Amphenol</h1> <p style="text-align: center;">Sine Systems - www.amphenol-sine.com 44724 Morley Drive Clinton Township, MI 48036</p> <p style="text-align: center;">KIT, SPEEDSPlice & SIZE 12 SOLID CONTACTS. 12-14 AWG</p>															
PROCESS SPECIFICATIONS:																	
NEXT ASS'Y:		<table border="1"> <tr> <td>SIZE</td> <td>TYPE</td> <td>DWG NO:</td> <td>REVISION</td> </tr> <tr> <td>A</td> <td>C</td> <td>ATSS-12-KIT01</td> <td>A1</td> </tr> </table>	SIZE	TYPE	DWG NO:	REVISION	A	C	ATSS-12-KIT01	A1	<table border="1"> <tr> <td>SCALE</td> <td>SHEET</td> <td>OF</td> </tr> <tr> <td>NONE</td> <td>1</td> <td>1</td> </tr> </table>	SCALE	SHEET	OF	NONE	1	1
SIZE	TYPE	DWG NO:	REVISION														
A	C	ATSS-12-KIT01	A1														
SCALE	SHEET	OF															
NONE	1	1															