

Datasheet

Art.No. 58.510.9055.0

Earth terminal WT 10 PE

Ground DIN rail terminal block with screw connection for mounting on TS 35; nominal cross section 10 mm²; width 10 mm; color green/yellow



Art.No.	58.510.9055.0
EAN	4049088154096
Order unit	50 pieces

Approvals



Technical data

General

Nominal cross section	10 mm ²
Colour	Green/yellow
Number of levels	1
Number of clamp positions per level	2
Width/grid dimension	10 mm
Insulating housing	PA666
Inflammability class of insulation material acc. with UL94	V0
Mounting method	DIN rail (top hat rail)
Terminal blocks for electrical installations	Yes

Technical data

Rated voltage	1000 V
Rated impulse voltage	8 kV
Pollution degree	3
Closing plate required	Yes
Type of insulation material	Thermoplastic
Length	48 mm

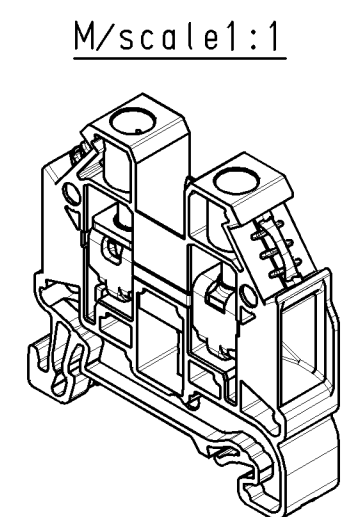
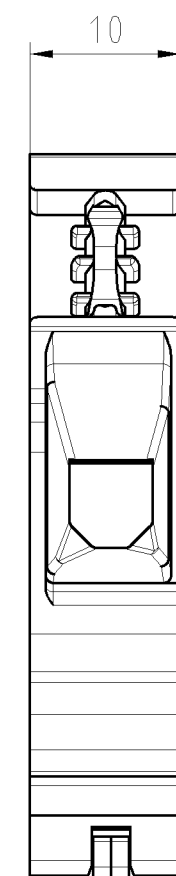
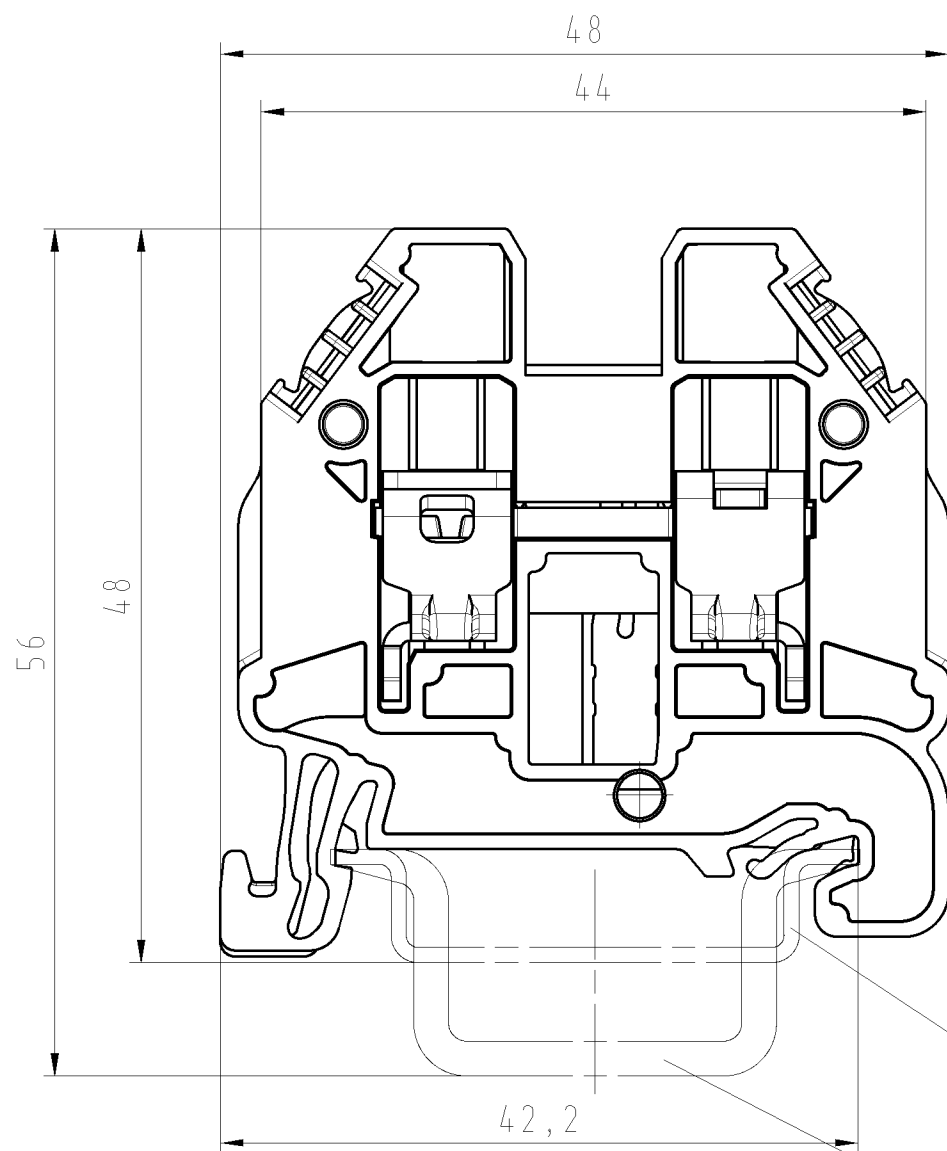
Connection Data

Connection type 1	Screw connection
Connection type 2	Screw connection
Minimum cross section solid	0.5 mm ²
Maximum cross section solid	16 mm ²

Minimum cross section fine stranded	0.5 mm ²
Maximum cross section fine stranded	16 mm ²
Minimum cross section stranded	16 mm ²
Maximum cross section stranded	16 mm ²
Maximum conductor cross section (flex., stranded) with cable end sleeve	0.5 mm ²
Maximum conductor cross section (flex., stranded) with cable end sleeve	10 mm ²
Wire strip length	13 mm
Torque conductor mounting	1.2 Nm

Technical Data UL/CSA

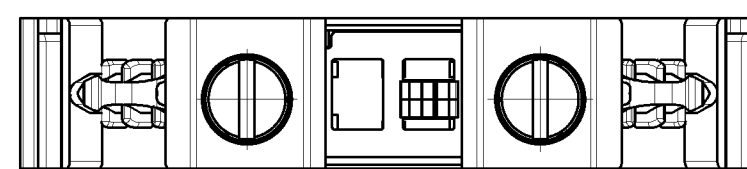
Cross section UL	20-6 AWG
Voltage UL	600 V
Cross section CSA	20-6 AWG
Voltage CSA	600 V



Hutschiene EN 60715-35x7,5
mounting rail EN 60715-35x7,5

Hutschiene EN 60715-35x15
mounting rail EN 60715-35x15

* = spezielle Verpackung / special package



Teile-Nr. part-no.	Farbe color
58.510.9055.0	grün/gelb (marmoriert)
* 58.510.9095.0	green/yellow (marmorated)

Tolerierung nach DIN 7167/Tolerance system acc. to DIN 7167. (This DIN-standard describes the envelope principle. According to the envelope principle the deviations of form and parallelism are limited by the size tolerances).				ja/yes <input checked="" type="checkbox"/> Stoffverbots- und Deklarationsliste nach UU-TOM-05/03 ist einzuhalten. Conformity with Wieland document UU-TOM-05/03 (list of prohibited / declarable hazardous substances) to be declared!			
Freitoleranz nach General tolerance		CAD - Zeichnung, keine manuellen Änderungen CAD - drawing, no manual modifications allowed		1. Verwendung: - First Use:		Blatt: 1 von 1 Sheet: of 1	
		Werkstoff/Material		2013 gezeichnet drawn	Tag/Date 21.01.	Name Eller	
		Maßstab/Scale 2:1		geprüft checked	-	T 58.510.9055.0 01K	
		Vol. mm ³ Ofl./Surf. mm ²		Normgepr. Stand. check	-	Index Maße in mm/Dimensions are in mm	
		Ersatz für/Replacement for: -		Benennung/Title SCHUTZLEITERKLEMME protective conductor terminal			
		wieland Elektrische Verbindungen		Type WT 10 PE			
Index Datum / Blatt Date / Sheet		Änderung/Revision					

These dimensions will be especially checked at delivery
Only inspection dimensions
With /E marked dimensions are only valid for internal use

Diese Maße werden bei Abnahme besonders geprüft
Ausschließlich Prüfmaße
Mit /E gekennzeichnete Maße sind nur für interne Zwecke gültig

585109055001K_2_CADW3070_U0016728_2013-01-22T09:56:11 1.000