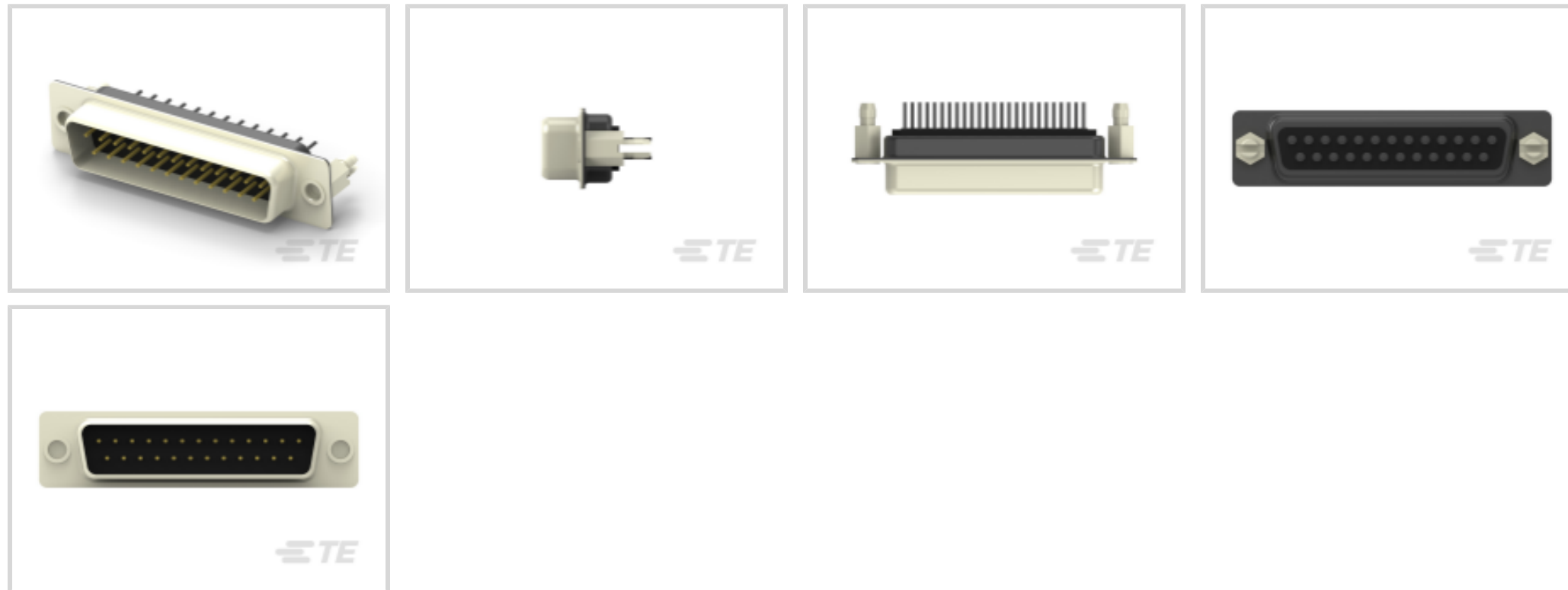




TE Internal #: 2301835-1
 Plug, Wire-to-Board, 25 Position, 2.77 mm [.109 in] Centerline, 2
 Row, 3 Connector Shell Size, Round, High Profile, Vertical, PCB D-
 Sub Connectors

[View on TE.com >](#)

Connectors > D-Shaped Connectors > D-Sub Connectors > PCB D-Sub Connectors > D-Sub Plug Assembly: Vertical, Shell Size 3, 2.74mm



Connector & Housing Type: **Plug**
 Connector System: **Wire-to-Board**
 Number of Positions: **25**
 Centerline (Pitch): **2.77 mm [.109 in]**
 Number of Rows: **2**

[All D-Sub Plug Assembly: Vertical, Shell Size 3, 2.74mm \(47\)](#)

Features

Product Type Features

| | |
|-----------------------------------|-----------------------|
| Connector & Housing Type | Plug |
| Connector System | Wire-to-Board |
| Connector Shell Size | 3 |
| Connector & Contact Terminates To | Printed Circuit Board |

Configuration Features

| | |
|-----------------------|----------|
| Number of Positions | 25 |
| Number of Rows | 2 |
| PCB Mount Orientation | Vertical |

Body Features

| | |
|-----------------------|-------|
| Primary Product Color | Black |
| Connector Profile | High |

Contact Features

| | |
|-----------------|-----------|
| Contact Options | Installed |
|-----------------|-----------|



| | |
|----------------------|-------|
| Contact Shape & Form | Round |
|----------------------|-------|

| | |
|------------------------------|-------|
| Contact Current Rating (Max) | 1.5 A |
|------------------------------|-------|

Termination Features

| | |
|----------------------------------|----------------|
| Termination Post & Tail Diameter | .6 mm[.023 in] |
|----------------------------------|----------------|

| | |
|---------------------------|-----------------------|
| Termination Method to PCB | Through Hole - Solder |
|---------------------------|-----------------------|

Mechanical Attachment

| | |
|---------------------|------|
| PCB Mount Retention | With |
|---------------------|------|

| | |
|--------------------------|-----------|
| PCB Mount Retention Type | Boardlock |
|--------------------------|-----------|

| | |
|------------------|------|
| Mating Retention | With |
|------------------|------|

| | |
|-----------------------|----------------------------|
| Mating Retention Type | Threaded Inserts, 4-40 UNC |
|-----------------------|----------------------------|

| | |
|-------------------------|-------------|
| Connector Mounting Type | Board Mount |
|-------------------------|-------------|

Housing Features

| | |
|------------------|--------|
| Housing Material | PBT GF |
|------------------|--------|

| | |
|--------------------|------------------|
| Centerline (Pitch) | 2.77 mm[.109 in] |
|--------------------|------------------|

Dimensions

| | |
|--------------------|------------------|
| Row-to-Row Spacing | 2.84 mm[.111 in] |
|--------------------|------------------|

Usage Conditions

| | |
|-----------------------------|----------------------------|
| Operating Temperature Range | -55 – 105 °C[-67 – 221 °F] |
|-----------------------------|----------------------------|

Operation/Application

| | |
|---------------------|--------|
| Circuit Application | Signal |
|---------------------|--------|

Product Compliance

For compliance documentation, visit the [product page on TE.com](#)>

| | |
|------------------------------|-----------|
| EU RoHS Directive 2011/65/EU | Compliant |
|------------------------------|-----------|

| | |
|-----------------------------|-----------|
| EU ELV Directive 2000/53/EC | Compliant |
|-----------------------------|-----------|

| | |
|---|---|
| China RoHS 2 Directive MIIT Order No 32, 2016 | No Restricted Materials Above Threshold |
|---|---|

| | |
|--|--|
| EU REACH Regulation (EC) No. 1907/2006 | Current ECHA Candidate List: JUNE 2024 (241) Candidate List Declared Against: JAN 2023 (233) Does not contain REACH SVHC |
|--|--|

| | |
|-----------------|--|
| Halogen Content | Not Low Halogen - contains Br or Cl > 900 ppm. |
|-----------------|--|

| | |
|---------------------------|--|
| Solder Process Capability | Not applicable for solder process capability |
|---------------------------|--|

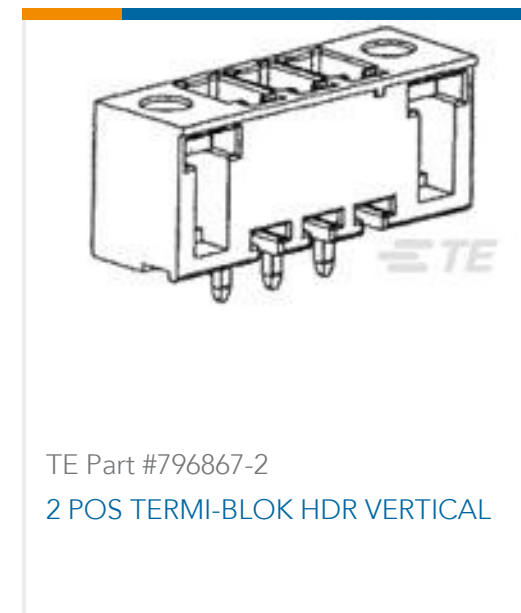
Product Compliance Disclaimer

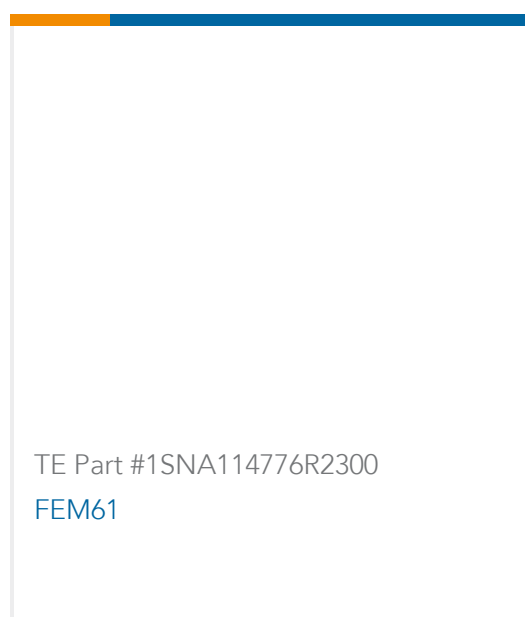
This information is provided based on reasonable inquiry of our suppliers and represents our current actual knowledge based on the information they provided. This information is subject to change. The part numbers that TE has identified as EU RoHS compliant have a maximum concentration of 0.1% by weight in homogenous materials for lead, hexavalent chromium, mercury, PBB, PBDE, DBP, BBP, DEHP, DIBP, and 0.01% for cadmium, or qualify for an exemption to these limits as defined in the Annexes of Directive 2011/65/EU (RoHS2). Finished electrical and electronic equipment products will be CE marked as required by Directive 2011/65/EU. Components may not be CE marked. Additionally, the part numbers that TE has identified as EU ELV compliant have a maximum concentration of 0.1% by weight in homogenous materials for lead, hexavalent chromium, and mercury, and 0.01% for cadmium, or qualify for an exemption to these limits as defined in the Annexes of Directive 2000/53/EC (ELV). Regarding the REACH Regulation, the information TE provides on SVHC in articles for this part number is based on the latest European Chemicals Agency (ECHA) 'Guidance on requirements for substances in articles' posted at this URL: <https://echa.europa.eu/guidance-documents/guidance-on-reach>

Compatible Parts



Customers Also Bought





Documents

Product Drawings

[AMPL PLUG HD20, VERT, 25P, B/L,4-40 INS](#)

English

CAD Files

[3D PDF](#)

3D

Customer View Model

[ENG_CVM_CVM_2301835-1_A.2d_dxf.zip](#)

English

Customer View Model

[ENG_CVM_CVM_2301835-1_A.3d_igs.zip](#)

English

Customer View Model

[ENG_CVM_CVM_2301835-1_A.3d_stp.zip](#)

English

By downloading the CAD file I accept and agree to the [Terms and Conditions](#) of use.

Product Specifications

[Product Specification](#)

English