



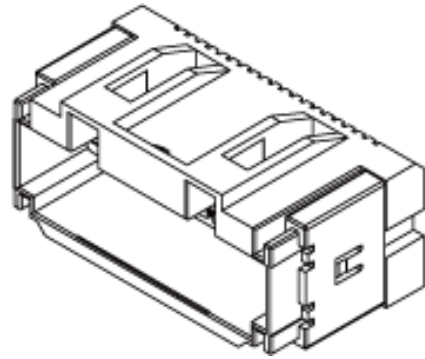
Part Number : [5020463070](#)

Product Description : 1.25mm Pitch Duo-Clasp Wire-to-Board PCB Receptacle, Dual Row, Right-Angle, 0.10µm Gold (Au) Plating, 30 Circuits

Series Number : 502046

Status : New Business Not Supported


Product Category : PCB Headers and Receptacles



Documents & Resources

Product Environment Compliance

Compliance

GADSL/IMDS	Compliant with Exemption 44; 33
China RoHS	
EU ELV	Not Relevant
Low-Halogen Status	Not Low-Halogen per IEC 61249-2-21
REACH SVHC	Not Contained per D(2024)4144-DC (27 June 2024)
EU RoHS	Compliant per EU 2015/863

Multiple Part Product Compliance Statements

- Eu RoHS
- REACH SVHC
- Low-Halogen

Multiple Part Industry Compliance Documents

- IPC 1752A Class C
- IPC 1752A Class D
- Molex Product Compliance Declaration
- IEC-62474
- chemSHERPA (xml)

EU RoHS Certificate of Compliance

Part Details

General

Status	New Business Not Supported
Category	PCB Headers and Receptacles
Series	502046
Description	1.25mm Pitch Duo-Clasp Wire-to-Board PCB Receptacle, Dual Row, Right-Angle, 0.10µm Gold (Au) Plating, 30 Circuits
Application	Signal, Wire-to-Board
Component Type	PCB Receptacle
Product Name	Duo-Clasp
UPC	822350606202

Agency

UL	E29179
----	--------

Electrical

Current - Maximum per Contact	1.0A
Voltage - Maximum	50V AC (RMS)/DC

Physical

Circuits (Loaded)	30
Circuits (maximum)	30
Color - Resin	Natural
Durability (mating cycles max)	30
Glow-Wire Capable	No
Guide to Mating Part	Yes
Keying to Mating Part	Yes
Lock to Mating Part	Yes
Mated Height	7.85mm
Material - Metal	Copper Alloy
Material - Plating Mating	Gold
Material - Plating Termination	Tin
Material - Resin	Polyamide
Net Weight	1336.460/mg
Number of Rows	2

Orientation	Right Angle
Packaging Type	Embossed Tape on Reel
PCB Locator	No
PCB Retention	Yes
Pitch - Mating Interface	1.25mm
Plating min - Mating	0.100µm
Plating min - Termination	1.000µm
Polarized to Mating Part	Yes
Polarized to PCB	No
Stackable	No
Temperature Range - Operating	-25° to +85°C
Termination Interface Style	Surface Mount

This document was generated on Oct 25, 2024