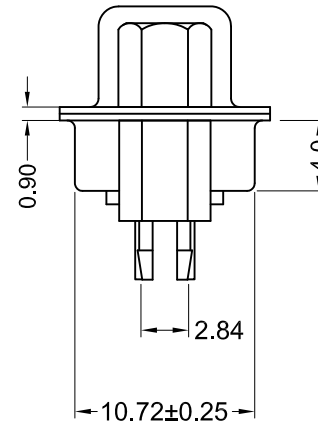
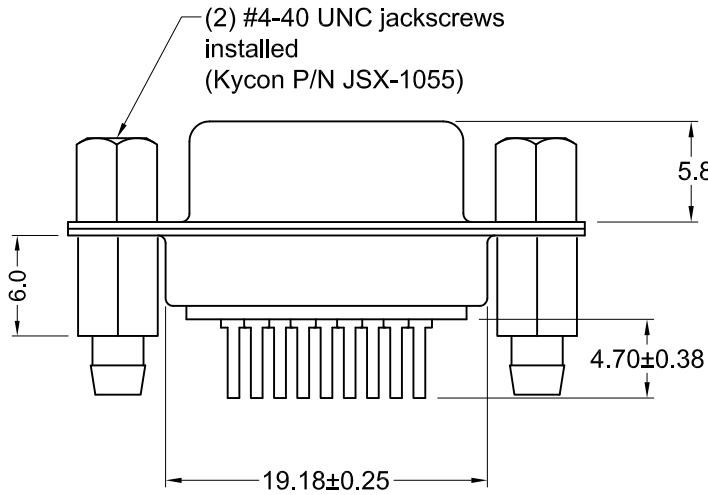
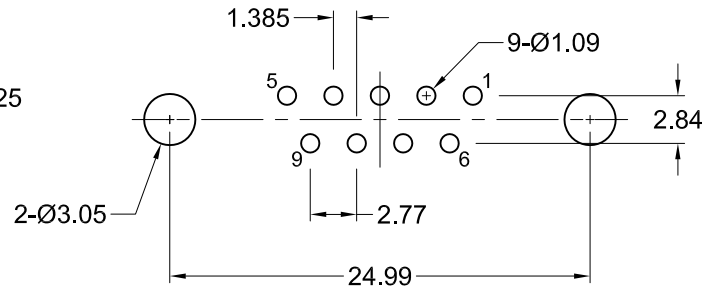


**Recommended PCB Layout
(top view)**



Material and Finish

Shell: steel, Nickel plated
 Insulator: PBT with glass-fiber reinforcement, UL 94V-0 rated, color-black

Contact Material:
 Socket: Brass

Contact Plating:
 Standard:
 Gold flash on mating end, tin on termination end, with entire contact nickel underplated

-15 Option:
 15u" gold on mating end, tin on termination end, with entire contact nickel underplated

-30 Option:
 30u" gold on mating end, tin on termination end, with entire contact nickel underplated

Electrical Specifications

Rated Current: 2A
 Rated Voltage: 30V RMS
 Withstanding Voltage:
 500V (rms) AC for 1 minute
 Insulation Resistance:
 more than 1000 Megohm at 500V DC
 Contact Resistance:
 13 milliohm max.
 Dielectric Strength:
 1000V for 1 minute
 Operating Temperature:
 -55°C to +105°C

Part Number	Contact Area Plating Finish
K85X-ED-9S-BRJ	Gold Flash (standard)
K85X-ED-9S-BRJ15	15u" Gold (15 option)
K85X-ED-9S-BRJ30	30u" Gold (30 option)

RoHS COMPLIANT



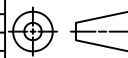
Tolerances
X.X ± 0.25
X.XX ± 0.15
Unless Stated Otherwise

REV.	DATE	DESCRIPTION	REV. BY	CHK. BY	DRAWN BY	DATE
A1	06/28/05	New Drawing	R. Aguirre	H. MA	R. Aguirre	6/27/05
A2	1/9/08	ECO #07-052	WILL H.	H. MA		
A3	12/31/17	ECO #17-030	G. Serrato	C. Furumasu		

K85X-ED-9S-BRJ

Vertical PCB Mount D-Sub

9 Pin Female, RoHS Compliant



UNITS
mm