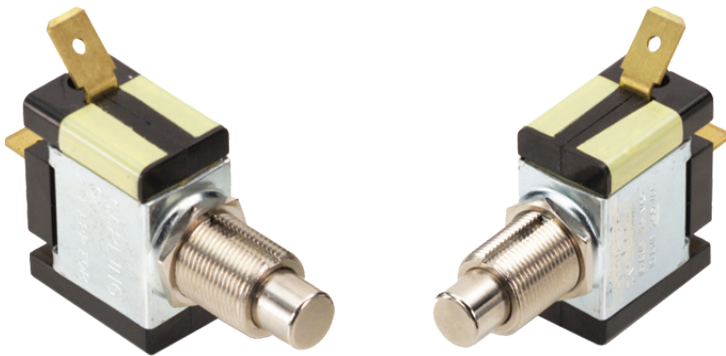


# P-Series

## Pushbutton Switches

These rugged pushbutton-type switches feature international approvals, ratings to 20A 125VAC and a heavy actuation force (3-5 lbs. typical) which makes this switch ideal for use as a "foot-pedal" switch. These switches have become mainstays for canister Vacuum Cleaner applications. The metal bushing and plunger construction enables this alternate action switch to withstand the rigors of most any stringent pushbutton application.



**Carling Technologies®**

Innovative Designs. Powerful Solutions.

Innovative Designs. Powerful Solutions.

Carling Technologies, Inc.  
60 Johnson Avenue • Plainville, CT 06062-1177  
Phone: (860) 793-9281 • Fax: (860) 793-9231  
Email: [sales@carlingtech.com](mailto:sales@carlingtech.com) • [www.carlingtech.com](http://www.carlingtech.com)

### Dielectric Strength

UL/CSA: 1000 - live to dead metal parts & opposite polarity  
 TUV: 4000V - live to dead metal parts; 1250V - opposite polarity across open contacts

### Electrical Life

50,000 cycles

### Mechanical Life

100,000 cycles

### Operating Temperature

0°F to 85°F (32°C to 85°C)

# PA341

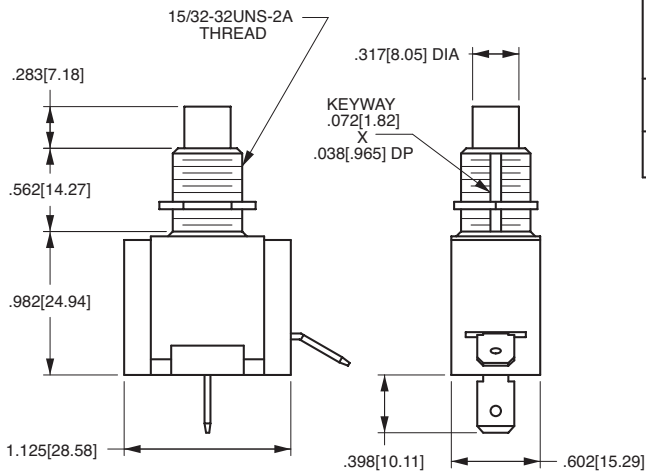
<sup>1</sup>  
Part Number

#### 1 PART NUMBER: SERIES/ACTUATOR/CIRCUITRY/RATING/TERMINATION

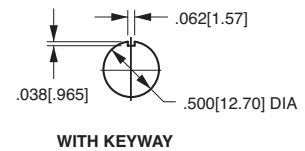
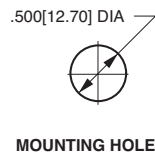
	.250 Tab	Screw Terms.	Wire Leads
<b>10A 250VAC, 15A 125VAC, 3/4 HP 120-240 VAC<sup>1</sup></b>			
On-Off	PA341	PA344	PA345
On-On	PB341	PB344	PB345
<b>10A 250VAC, 20A 125VAC, 1 1/2 HP 120-240 VAC<sup>1</sup></b>			
On-Off	PA301	PA304	PA305
On-On	PB301	PB304	PB305
<b>10A 250VAC, 15A 125VAC, 10(6)a 250 VACu, T85<sup>2</sup></b>			
On-Off	PA951	PA954	PA955

Notes:

- 1 Additional ratings available. Consult factory.
- 2 UL, CSA & TUV approved.



.250 TAB (Q.C.)	SCREW (ASSEMBLED)	INTEGRATED WIRE LEAD (no exposed conductors)
<b>TERMINAL TYPE</b>		



\*Manufacturer reserves the right to change product specification without prior notice.