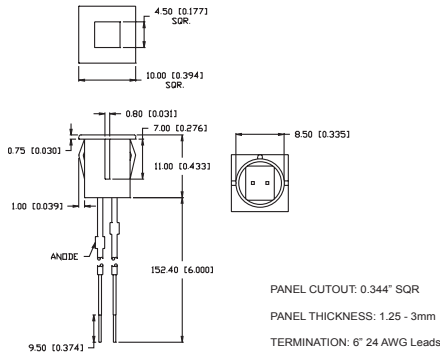


# LED Indicators ~ Panel ~ Rectangular & Square



## SSI-LXH55XD-150 Series

## 5mm Square Panel Indicator, Round Body, 6" Leads



### FEATURES / OPTIONS

- ▶ State-of-the-Art, High Brightness LED Chip Technology
- ▶ Choice of LED Colors and Lens Finishes
- ▶ Bi-Color Styles Optional
- ▶ Insulated Lead Lengths Optional
- ▶ Easy Installation Through Panel
- ▶ Small Volumes Acceptable
- ▶ Available Without Insulated Leads (Bare LED Pins)
- ▶ Blinking LED
- ▶ With Internal Resistor for 5V and 12V Operation
- ▶ With Connector

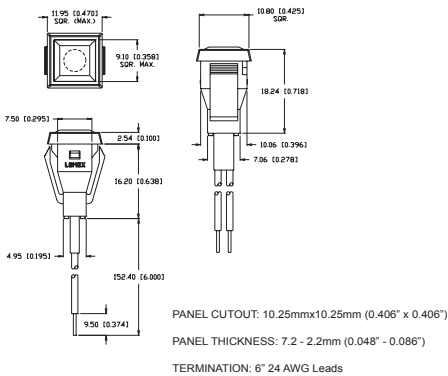
### APPLICATIONS / USES

- ▶ Front Panel Status Indicators
- ▶ Alarm/Warning Indicators
- ▶ Front Panel Circuit Fault Indicators
- ▶ Instrument Control Panels
- ▶ Medical Diagnostics Indicators
- ▶ Industrial Automation Control Panels

Lumex Part Number	Die Material	Emitted Color	Peak (nm)	Lens	Operating Current (mA)	Operating TYP. Vf (V)	Brightness TYP. Mcd	@ mA	View Angle° 2θ	Component LED Used
<b>HIGH BRIGHTNESS</b>										
SSI-LXH55SID-150	AllnGaP	Super High Intensity Red	636	Red Diffused	5-25	2	60	20	80	SSL-LX5573SID
SSI-LXH55SOD-150	AllnGaP	Super Orange	610	Orange Diffused	5-25	2	60	20	80	SSL-LX5573SOD
SSI-LXH55SUGD-150	AllnGaP	Super Ultra Green	574	Green Diffused	5-25	2.2	50	20	80	SSL-LX5573SUGD
SSI-LXH55SYD-150	AllnGaP	Super Yellow	590	Yellow Diffused	5-25	2	30	20	80	SSL-LX5573SYD
SSI-LXH55USB-150	InGaN/SiC	Ultra Super Blue	470	Blue Diffused	5-25	3.5	50	20	80	SSL-LX5573USB
<b>STANDARD BRIGHTNESS</b>										
SSI-LXH55GD-150	GaP	Green	565	Green diffused	5-25	2.2	10	20	80	SSL-LX5573GD
SSI-LXH55ID-150	GaAsP	High Intensity Red	635	Red Diffused	5-25	2	10	20	80	SSL-LX5573ID
SSI-LXH55SRD-150	GaAlAs	Super Red	660	Red Diffused	5-25	1.7	20	20	80	SSL-LX5573SRD
SSI-LXH55YD-150	GaAsP	Yellow	585	Yellow Diffused	5-25	2.1	5	20	80	SSL-LX5573YD

## SSI-LXMP5011XD-150 Series

## 12mm Square ESD Safe w/Lens, 6" Leads



### FEATURES / OPTIONS

- ▶ State-of-the-Art, High Brightness LED Chip Technology
- ▶ Choice of LED Colors and Lens Finishes
- ▶ Bi-Color Styles Optional
- ▶ Insulated Lead Lengths Optional
- ▶ Easy Installation Through Panel
- ▶ Small Volumes Acceptable
- ▶ Available Without Insulated Leads (Bare LED Pins)
- ▶ Lexan 123 ESD Safe Clear Lens
- ▶ Blinking LED
- ▶ With Internal Resistor for 5V and 12V Operation
- ▶ With Connector

### APPLICATIONS / USES

- ▶ Front Panel Status Indicators
- ▶ Alarm/Warning Indicators
- ▶ Front Panel Circuit Fault Indicators
- ▶ Instrument Control Panels
- ▶ Medical Diagnostics Indicators
- ▶ Industrial Automation Control Panels

Lumex Part Number	Die Material	Emitted Color	Peak (nm)	Lens	Operating Current (mA)	Operating TYP. Vf (V)	Brightness TYP. Mcd	@ mA	View Angle° 2θ	Component LED Used
<b>HIGH BRIGHTNESS</b>										
SSI-LXMP5011SIC150	AllnGaP	Super High Intensity Red	636	Red Diffused	5-25	2	80	20	60	SSL-LX4073SID
SSI-LXMP5011SOC150	AllnGaP	Super Orange	610	Orange Diffused	5-25	2	80	20	60	SSL-LX4073SOD
SSI-LXMP5011SUGC15	AllnGaP	Super Ultra Green	574	Green Diffused	5-25	2.2	100	20	60	SSL-LX4073SUGD
SSI-LXMP5011SYC150	AllnGaP	Super Yellow	590	Yellow Diffused	5-25	2	150	20	60	SSL-LX4073SYD
SSI-LXMP5011USBC15	InGaN/SiC	Ultra Super Blue	470	Blue Diffused	5-25	3.5	50	20	60	SSL-LX4073USB
<b>STANDARD BRIGHTNESS</b>										
SSI-LXMP5011GC-150	GaP	Green	565	Green Diffused	5-25	2.2	15	20	60	SSL-LX4073GD
SSI-LXMP5011IC-150	GaAsP	High Intensity Red	635	Red Diffused	5-25	2	20	20	60	SSL-LX4073ID
SSI-LXMP5011SRC-150	GaAlAs	Super Red	660	Red Diffused	5-25	1.7	60	20	60	SSL-LX4073SRD
SSI-LXMP5011YC-150	GaAsP	Yellow	585	Yellow Diffused	5-25	2.1	15	20	60	SSL-LX4073YD



**USA/Canada** +1-800-278-5666  
**Europe** +49-6081-964380  
**Asia** +886-3-5821124



[www.lumex.com](http://www.lumex.com)



**USA/Canada** +1-847-359-8904  
**Europe** +49-6081-964381  
**Asia** +886-3-5821154