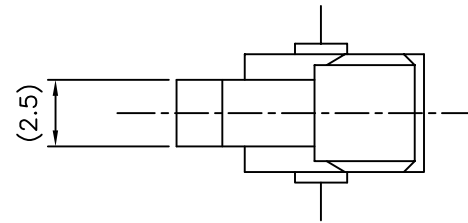
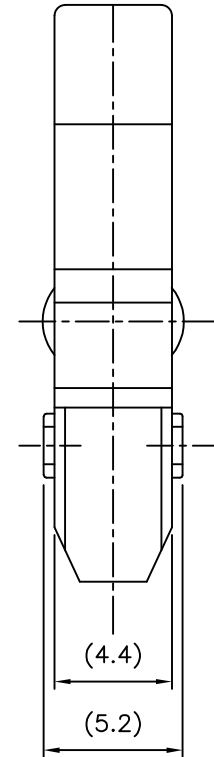
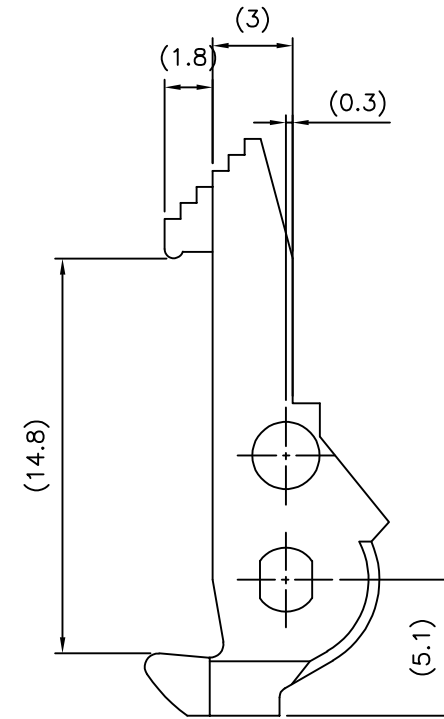
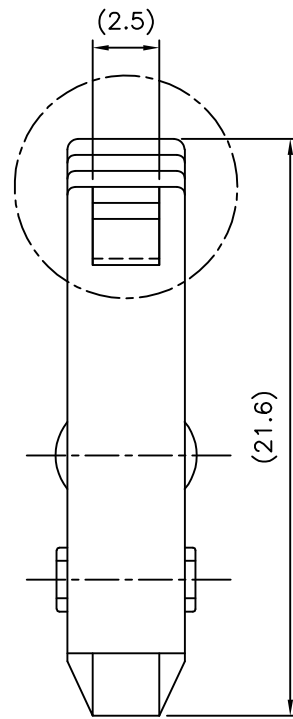


PRODUCT NUMBER  
67018-X01ZLF

RoHS COMPATIBLE, SEE NOTE 3

P=DEDICATED CUSTOMER PART  
OMIT FROM P/N IF NO NEEDED

CODE	COLOUR
0	GREY
1	BLUE
2	BLACK



**NOTES:**

- MOLDING MATERIAL : 30% GLASSFIBER POLYESTER, FLAME RETARDANT PER UL-94-V0  
COLOR : GREY, OR BLUE (SEE TABLE)
- 0.08 MAX. FLASH ALLOWED ON SPLIT LINE
- RoHs COMPATIBLE PRODUCT
  - LABELLING:
    - MEETS PACKAGING SPECS AS PER GS-14-920
  - LEGAL STATEMENT : SEE GS-47-0004
  - THE PRODUCT IS NOT INTENDED TO BE EXPOSED TO MANUFACTURING SOLDER PROCESS
  - PRODUCT MEETS WITH EU 2002/EG/95

mat'l. code				surface		tolerance		projection	product family	
SEE NOTES				ISO 1302	ISO 406	ISO 1101			QUICKIE	
ltr	ecn no	dr	date	tolerances unless otherwise specified				title		
B	F08395	VMO	98.07.27	angles	linear	±0.3	mm		EJECTOR LATCH STANDARD	
C	F05-0257	LMU	05.10.11			±0.13	scale 5/1		dwg no	
D	F06-0274	LMU	06.10.18			±0.05			sheet 1 of 1	
E	B-16667	JCO	14.01.07	dr	L.MULIN	05.10.11			size	
F	B-19563	BVE	14.11.27	engr	J.COMPAGNON	05.10.11			67018	
G	B-19927	BVE	15.01.08	chr					A3	
H	F-49501	LMU	23.10.17	appd	JCO	14.01.07			type CUSTOMER Drawing	
sheet	revision									
index	sheet									