



# 25A VARIABLE PHASE ANGLE REGULATOR

**AVR**  
X10208

**INTRODUCTION**

This fully variable, powerful phase angle regulator is a manually controlled, robust, compact, enclosed unit for direct or transformer coupled, single-phase loads. The high current triac, fuse terminals and all main parts are enclosed and mounted on an integral heatsink to ensure long life with reliable high ambient temperature operation. The large triac enables the unit to handle high in-rush currents with ample safety margin on industrial installations.

**APPLICATIONS**

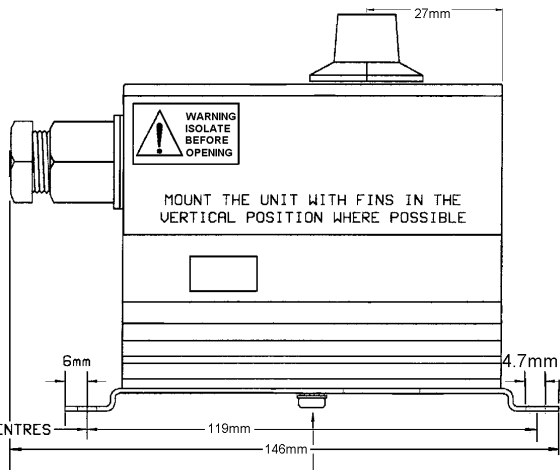
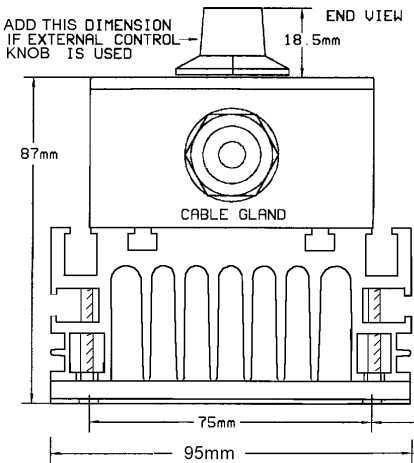
Suitable for conventional resistive heating elements, including ovens, moulders, dryers and some inductive loads e.g. transformers and motors.

**FEATURES**

- Integral high speed fuse.
- Built in heatsink.
- High in-rush capability.
- Single entry cable gland.
- Control knob and dial

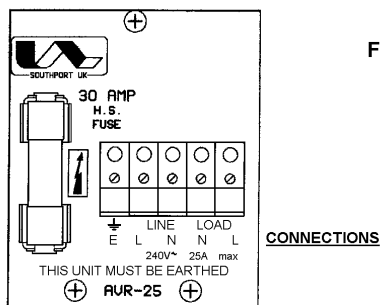


**INSTALLATION**



(EARTH BONDING-DO NOT REMOVE)  
FOR OPTIMUM PERFORMANCE AND HEAT DISSIPATION  
THE UNIT SHOULD BE MOUNTED VERTICALLY

**WARNING**  
SWITCH OFF MAINS BEFORE COMMENCING  
ANY SERVICE WORK



## **SPECIFICATIONS:**

Mains voltage	110 or 230V ac $\pm$ 10% @ 50/60 Hz	Isolation Classification	Class II
Min. Load current	200mA	Isolation voltage	2500V rms
Max. RMS current	25A.	I <sup>2</sup> t for SCR fusing	250A <sup>2</sup> s
Main control	Integral 220K pot.	Offstate dv/dt	500V/ $\mu$ s
Peak one cycle surge	250A	Replacement Fuse	30A 660V SCR type
Heatsink	1.3°C/Watt	Storage temp.	-20°C to +85°C
Max operating temp	0-65°C	Max. Cable entry	2.5mm <sup>2</sup>
		Min. Level set	0-50% via integral cermet

## **FUSING**

It is recommended to use semiconductor (fast acting) type fuses or circuit breakers (Semiconductor - MCB) for unit protection. Integral fuse included. (See SRA Datasheet for further information).

## **CE MARKING**

This product family carries a "CE marking". These phase angle controllers need a suitable remote filter. For information see recommendation section and contact our sales desk. (See Declaration of Conformity)

## **RECOMMENDATION**

Other documents available on request, which may be appropriate for your applications.

<b>CODE</b>	<b>IDENTITY</b>	<b>DESCRIPTION</b>
X10229	RFI	Filtering recommendations - addressing the EMC Directive
X10213	ITA	Interaction, uses for phase angle and for burst fire control.
X10255	SRA	Safety requirements - addressing the Low Voltage Directive (LVD) including: - Thermal data/cooling; "Live" parts warning & Earthing requirements; Fusing recommendations.
AP02/4	COS	UAL Conditions of sale

**NOTE** It is recommended that installation and maintenance of this equipment should be done with reference to current edition of the I.E.E. wiring regulations (BS7671) by suitably qualified/trained personnel. The regulations contain important requirements regarding safety of electrical equipment. (For International standards refer to I.E.C directive IEC 950).

## **ORDER CODE**

*State part number:* AVR + (Mains supply voltage)

Optional extras include F-series Filter.

*Note:* When ordering a filter, the current the AVR is to be used at will be required



## **UNITED AUTOMATION LIMITED**

1 Southport Business Park  
Kew  
Southport, PR8 4HQ  
ENGLAND

Tel: 0044 (0) 1704 – 516500 Main  
Tel: 0044 (0) 1704 – 516516 Sales  
Fax: 0044 (0) 1704 – 516501  
Enquiry@united-automation.com

