



Alcoswitch

TE Internal #: 1571610-2

Round Actuator Style, NO, Stainless Steel, Silver, IP67, Low Profile, Support Bracket, 50mA Contact Current Rating, Tactile Switches

[View on TE.com >](#)

Switches > Tactile Switches



Actuator Style: **Round**

Operating Function: **NO**

Contact Base Material: **Stainless Steel**

Switch Contact Plating Material: **Silver**

IP Rating: **IP67**

**Features**

**Product Type Features**

Switch Connection Type	Printed Circuit Board
Leg Style	Kinked
Illuminated	With
Actuator Style	Round

**Configuration Features**

ESD Grounding Terminal	Without
Ganged	With
Switch Feedback Type	Tactile
Operating Function	NO
Support Bracket	With
Configuration (Pole-Throw)	Single Pole - Single Throw
Number of Actuators	Single

**Electrical Characteristics**

Operating Voltage	24 VDC
-------------------	--------



### Body Features

Actuator Force	160 g[5.64 oz]
Case Material	PPS
Actuator Profile	Extended
Actuator Material	Nylon
Case Color	Black
Product Orientation	Right Angle
Actuator Color	Black

### Contact Features

Contact Base Material	Stainless Steel
Switch Contact Plating Material	Silver
Contact Current Rating	50 mA

### Termination Features

Termination Method to PCB	Through Hole - Solder
---------------------------	-----------------------

### Housing Features

Low Profile	With
Process Sealed	Yes

### Dimensions

Actuator Length	3.85 mm[.152 in]
Button Width	2.33 mm[.092 in]
	.309 in

### Usage Conditions

Operating Temperature Range	-35 – 85 °C
-----------------------------	-------------

### Industry Standards

IP Rating	IP67
-----------	------

### Packaging Features

Packaging Method	Loose Piece
------------------	-------------

### Product Compliance

For compliance documentation, visit the product page on [TE.com](#)>

EU RoHS Directive 2011/65/EU	Compliant
EU ELV Directive 2000/53/EC	Compliant



China RoHS 2 Directive MIIT Order No 32, 2016	No Restricted Materials Above Threshold
EU REACH Regulation (EC) No. 1907/2006	Current ECHA Candidate List: JUNE 2024 (241) Candidate List Declared Against: JUNE 2024 (241) Does not contain REACH SVHC
Halogen Content	Not Low Halogen - contains Br or Cl > 900 ppm.
Solder Process Capability	Wave solder capable to 260°C

Product Compliance Disclaimer

This information is provided based on reasonable inquiry of our suppliers and represents our current actual knowledge based on the information they provided. This information is subject to change. The part numbers that TE has identified as EU RoHS compliant have a maximum concentration of 0.1% by weight in homogenous materials for lead, hexavalent chromium, mercury, PBB, PBDE, DBP, BBP, DEHP, DIBP, and 0.01% for cadmium, or qualify for an exemption to these limits as defined in the Annexes of Directive 2011/65/EU (RoHS2). Finished electrical and electronic equipment products will be CE marked as required by Directive 2011/65/EU. Components may not be CE marked. Additionally, the part numbers that TE has identified as EU ELV compliant have a maximum concentration of 0.1% by weight in homogenous materials for lead, hexavalent chromium, and mercury, and 0.01% for cadmium, or qualify for an exemption to these limits as defined in the Annexes of Directive 2000/53/EC (ELV). Regarding the REACH Regulation, the information TE provides on SVHC in articles for this part number is based on the latest European Chemicals Agency (ECHA) 'Guidance on requirements for substances in articles' posted at this URL: <https://echa.europa.eu/guidance-documents/guidance-on-reach>

### Compatible Parts



TE Part # 1825910-6  
FSM4JH=6MM TACT SWITCH, HIGH TEMP



TE Part # 2-1825910-7  
FSM14JH=6MM TACT SWITCH, HIGH TEMP



TE Part # 4-1437565-2  
FSM4JSMATR=TACT SWITCH 6X6MIL

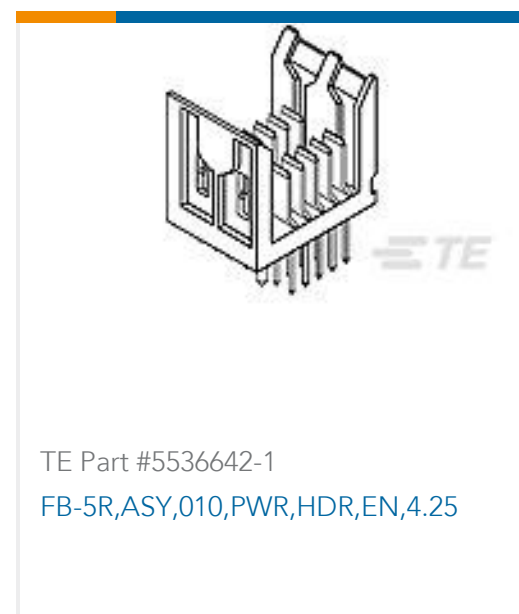


TE Part # 3-1437565-0  
FSM2JSMATR=ON T/R



TE Part # 2-1977223-8  
FSM14JSMAS=6MM TACT SWITCH, SMT 160gf

### Customers Also Bought



## Documents

### Product Drawings

Sealed R/A Tact switch, Sealed

English

### CAD Files

Customer View Model

[ENG\\_CVM\\_CVM\\_1571610-2\\_C.2d\\_dxf.zip](#)

English

### 3D PDF

3D

Customer View Model

[ENG\\_CVM\\_CVM\\_1571610-2\\_C.3d\\_igs.zip](#)

English

Customer View Model

[ENG\\_CVM\\_CVM\\_1571610-2\\_C.3d\\_stp.zip](#)

English

By downloading the CAD file I accept and agree to the [Terms and Conditions](#) of use.