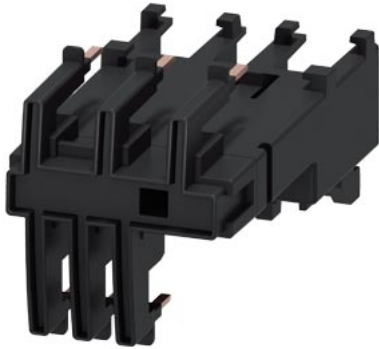


Link module Electrical and mechanical for 3RV2011 and 3RT201. Spring-type terminal



product brand name	SIRIUS
product category	Wiring modules, connectors and kits
product designation	link module
design of the product	actuating voltage contactor: AC and DC

General technical data

size of the circuit-breaker	S00
size of contactor	S00
Substance Prohibittance (Date)	10/01/2009
number of poles	3

Installation/ mounting/ dimensions

fastening method	clip-on
------------------	---------

Approvals Certificates

General Product Approval



[Confirmation](#)



Test Certificates **Marine / Shipping**

[Special Test Certificate](#)



Marine / Shipping **other** **Railway** **Environment**



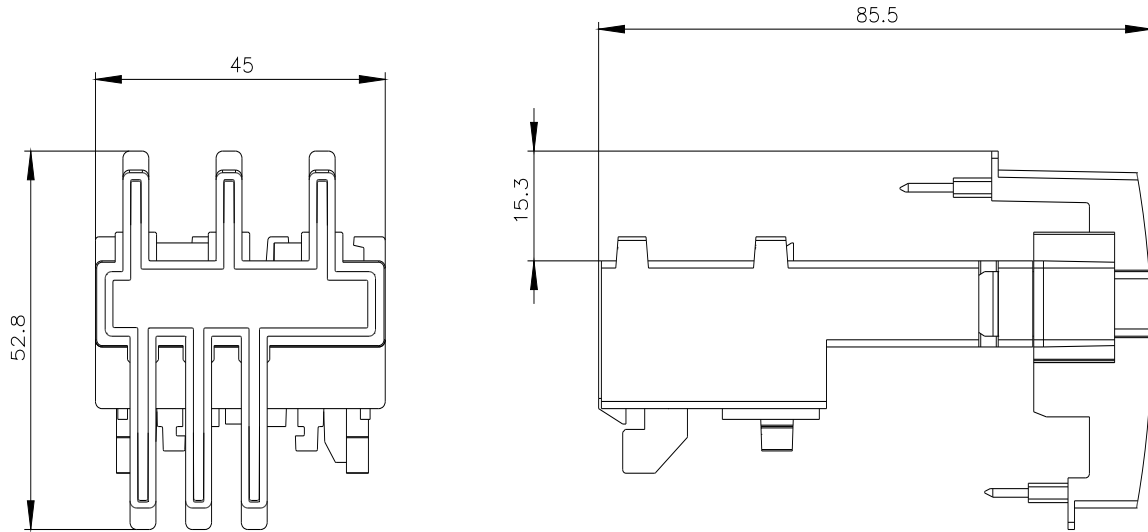
[Confirmation](#)

[Special Test Certificate](#)

[Environmental Confirmations](#)

Further information

Information on the packaging
<https://support.industry.siemens.com/cs/ww/en/view/109813875>
 Information- and Downloadcenter (Catalogs, Brochures,...)
<https://www.siemens.com/ic10>
 Industry Mall (Online ordering system)
<https://mall.industry.siemens.com/mall/en/en/Catalog/product?mlfb=3RA2911-2AA00>
 Cax online generator



last modified:

1/10/2024 