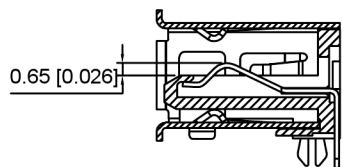
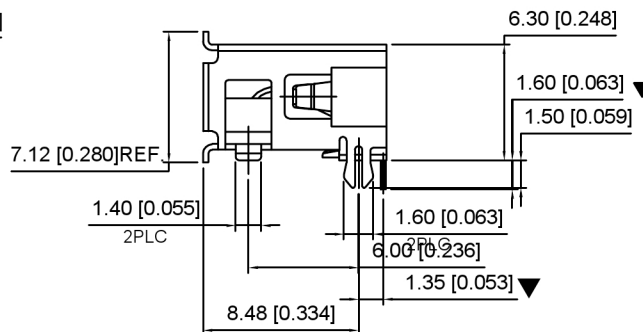
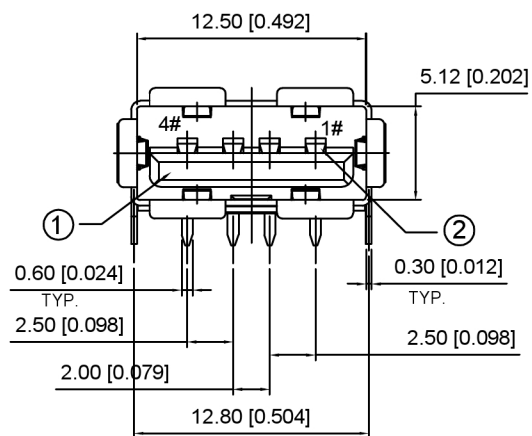


F: Flat

S: Scrolls



Housing Material: PA9T UL94V-0, Black
 Contact Terminal: COPPER ALLOY. (T=0.25mm)
 Metallic Shell: Brass(T=0.30mm)



U221-04XN-3BU06-X5

- 1: Au 1U"
- 5: Au 15U"
- 6: Au 30U"
- 1: PBT
- 2: PA6T
- 3: PA9T
- 4: LCP
- 5: BRASS
- S: Scrolls F: Flat
- W: WHITE B: BLACK

广东星坤科技股份有限公司

| | | |
|------|--|----|
| ΔX | | 日期 |
| ΔX | | 日期 |
| ΔX | | 日期 |
| MARK | | |

文件工程章

| REVISIONS | DESCRIPTION | DATE | REVISED | APPROVED | UNSPECIFIED TOLERANCES |
|-----------|-------------|------|---------|----------|------------------------|
| | | | | | |
| | | | | | |
| | | | | | |
| | | | | | |

| | | |
|---------------------------------------|-------------|-----------------------|
| DSND | SCALE: N/A | MODEL TYPE: USB 2.0 |
| DWN | VIEW: | PART NO.: |
| CHKD | UNIT: mm/in | DWG NO.: |
| APPD | SIZE: A4 | U221-04XN-3BU06-X5 |
| XKB INDUSTRIAL PRECISION CO., LIMITED | | WEIGHT SHEET REVISION |
| | | 1/1 A0 |

