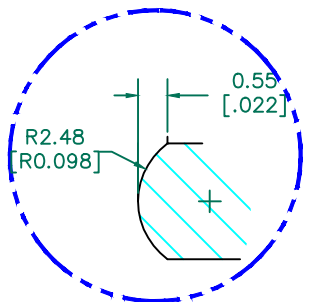
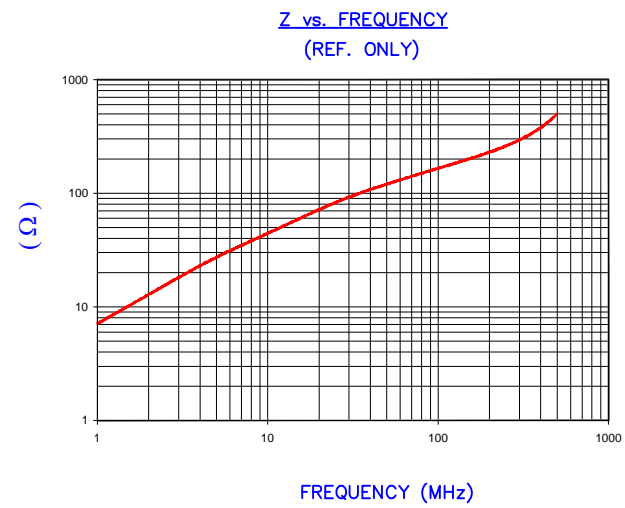


SEE DETAIL "A"



DETAIL "A"  
CHAMFER  
SCALE=4:1

| IMPEDANCE ( Z ) |        |         |         |
|-----------------|--------|---------|---------|
| Frequency       | 25 MHz | 100 MHz | 300 MHz |
| Nominal (REF)   | 79 Ω   | 163 Ω   | 273 Ω   |
| Minimum         | - Ω    | 130 Ω   | - Ω     |



AGILENT E4991A Impedance/Material Analyzer  
HP 16092A Test Fixture REF# 3006

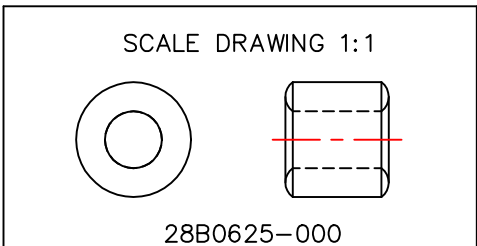
FERRITE CORE DIMENSIONS (SPEC):

|   |              |   |             |
|---|--------------|---|-------------|
| A | 15.88 [.625] | ± | 0.30 [.012] |
| B | 7.87 [.310]  | ± | 0.15 [.006] |
| C | 14.27 [.563] | ± | 0.25 [.010] |

WEIGHT/1000 10.11 kgs [22.30 Lbs]

NOTES: UNLESS OTHERWISE SPECIFIED

1. COSMETIC SPECIFICATION REFER TO WI-QA-038.



| DIMENSIONS ARE IN mm [INCHES]. |                                   |          |     | This print is the property of Laird Tech. and is loaned in confidence subject to return upon request and with the understanding that no copies shall be made without the written consent of Laird Tech. All rights to design or invention are reserved. |               | Laird  |                  |           |
|--------------------------------|-----------------------------------|----------|-----|---|---------------|--------|------------------|-----------|
| K                              | UPDATE THE LOGO                   | 05/13/15 | QIU | PROJECT/PART NUMBER:  |               | REV    | PART TYPE:       | DRAWN BY: |
| J                              | UPDATE CO.LOGO CHG CHAMFER DESIGN | 03/20/09 | JRK | 28B0625-000   |               | K      | FERRITE CNZ CORE | DJB       |
| H                              | UPDATE MIN Z SPEC@100 MHZ         | 11/14/05 | JRK | DATE:   | 07/25/91      | SCALE: | 2:1              | MATERIAL: |
| G                              | UPDATE MIN Z SPECS ADD TEST REF   | 12/06/04 | JRK | CAD #   | 28B0625-000-K | TOOL # | B0625            | Ferrite   |
| F                              | UPDATE FORMAT, Z SPECS & CURVE    | 05/20/03 | JRK |   |               |        |                  |           |
| REV                            | DESCRIPTION                       | DATE     | INT |   |               |        |                  |           |