

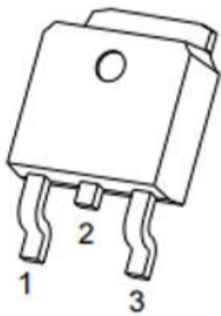
### Features

- 3-Terminal regulators
- Maximum Output current 0.5A
- Output voltage  $V_o$ : - 15V
- Compact package: TO-252-2L

### Applications

- HVAC Systems
- SMPS Post Regulation
- Test and Measurement Equipment
- Industrial Power Supplies

### PIN CONFIGURATION



1.GND  
2.VIN  
3.OUT

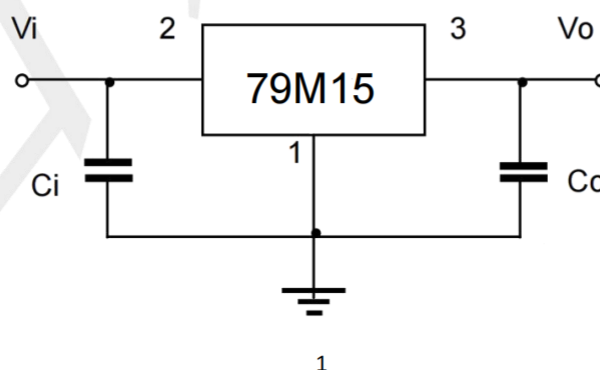
Pin Number	Pin Name	Pin Function
1	GND	Ground
2	VIN	Input of Supply Voltage
3	VOUT	Output of the Regulator

### Absolute Maximum Ratings

over operating free-air temperature range (unless otherwise noted)

Symbol	Parameter	Rating	UNIT
VIN	Input voltage	-35	V
R <sub>θJA</sub>	Thermal Resistance Junction-ambient to Air	80	°C/W
PD	Continuous total dissipation ( Ta= 25 °C )	1.25	W
T <sub>OPR</sub>	Operating Junction Temperature Range	-40~+125	°C
T <sub>stg</sub>	Storage temperature range	-65~+150	°C

### TYPICAL APPLICATION

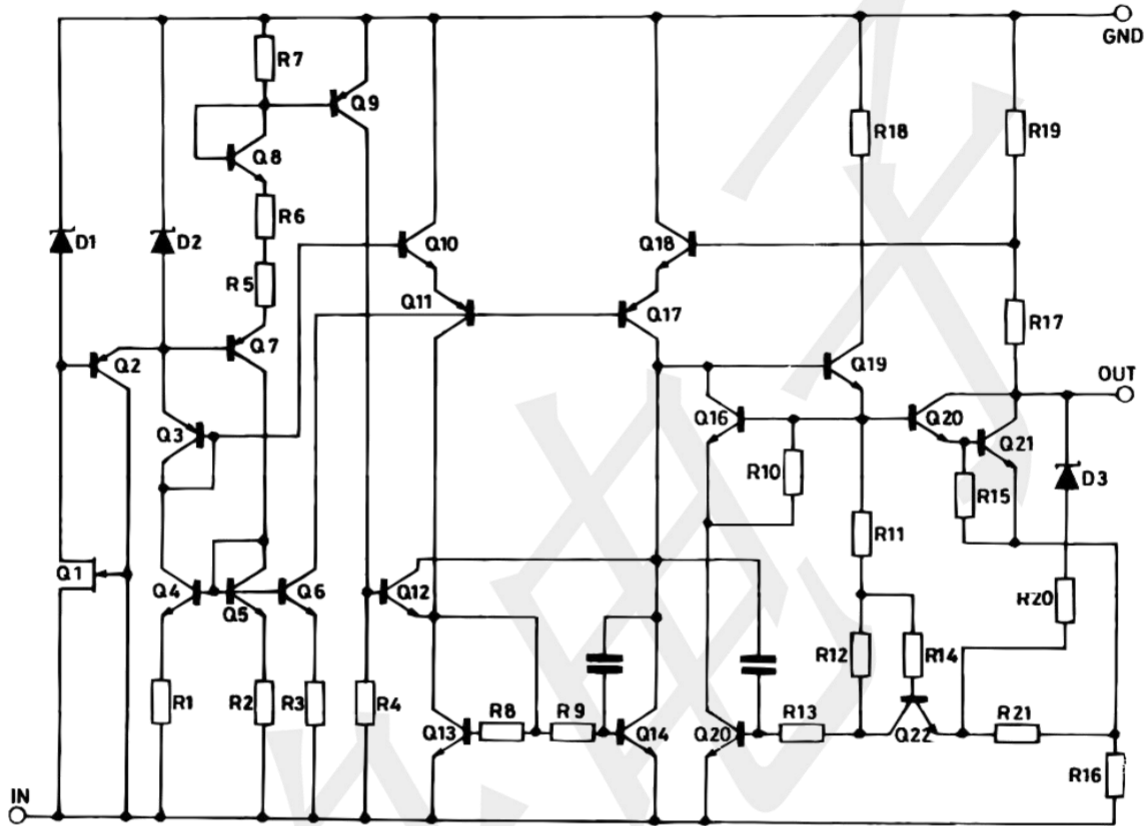


### Electrical Characteristics

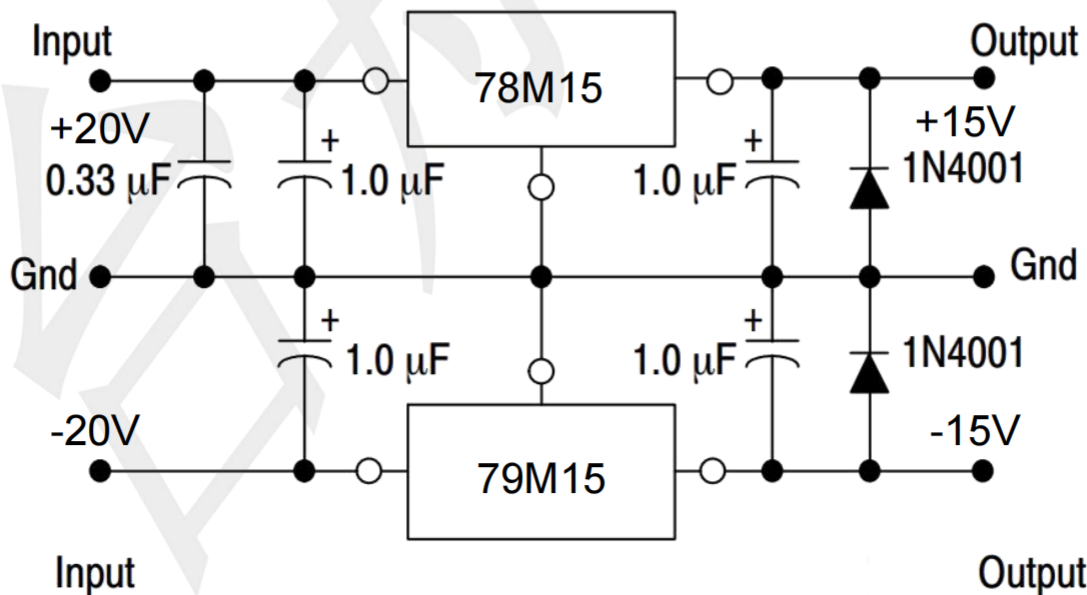
( $V_i = -14V, I_o = 500mA, C_i = 2.2\mu F, C_o = 1\mu F$ , unless otherwise specified)

AMETER	SYMBOL	TEST Conditions	MIN	TY P	MAX	UNIT
DC Output Voltage	VO	T <sub>j</sub> =25°C	-14.4	-15	-15.6	V
		0-125°C -17.5V ≤ V <sub>i</sub> ≤ -30V, I <sub>o</sub> = 5mA-350mA	-14.25	-15	-15.75	V
Load Regulation	ΔVo	T <sub>j</sub> =25°C I <sub>o</sub> =5mA-0.5A	--	--	200	mV
		T <sub>j</sub> =25°C I <sub>o</sub> =5mA-200mA	--	--	150	mV
Line regulation	ΔVo	T <sub>j</sub> =25°C -17.5V ≤ V <sub>i</sub> ≤ -30V, I <sub>o</sub> =200mA	--	--	300	mV
		T <sub>j</sub> =25°C -20V ≤ V <sub>i</sub> ≤ -22V, I <sub>o</sub> =200mA	--	--	150	mV
Quiescent Current	I <sub>q</sub>	T <sub>j</sub> =25°C	--	2.0	3.0	mA
Quiescent Current Change	ΔI <sub>q</sub>	0-125°C -17.5V ≤ V <sub>i</sub> ≤ -30V, I <sub>o</sub> =200mA	--	--	0.5	mA
		0-125°C 5mA ≤ I <sub>o</sub> ≤ 350mA	--	--	0.5	mA
Output Voltage Drift	ΔVo/ΔT	I <sub>o</sub> =5mA	--	-0.8	--	mV/°C
Output Noise Voltage	V <sub>N</sub>	T <sub>j</sub> =25°C 10Hz ≤ f ≤ 100KHz	--	200	--	μV/V <sub>o</sub>
Ripple Rejection	RR	-18.5V ≤ V <sub>i</sub> ≤ -28.5V I <sub>o</sub> =350mA, f=120Hz	--	60	--	dB
Dropout Voltage	V <sub>d</sub>	I <sub>o</sub> =1A T <sub>j</sub> =25°C	--	2.0	--	V
Peak Current	I <sub>pk</sub>	T <sub>j</sub> =25°C	--	0.5	--	A

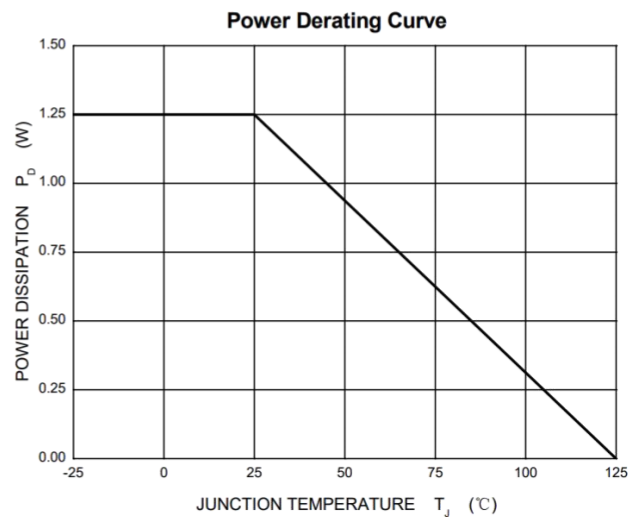
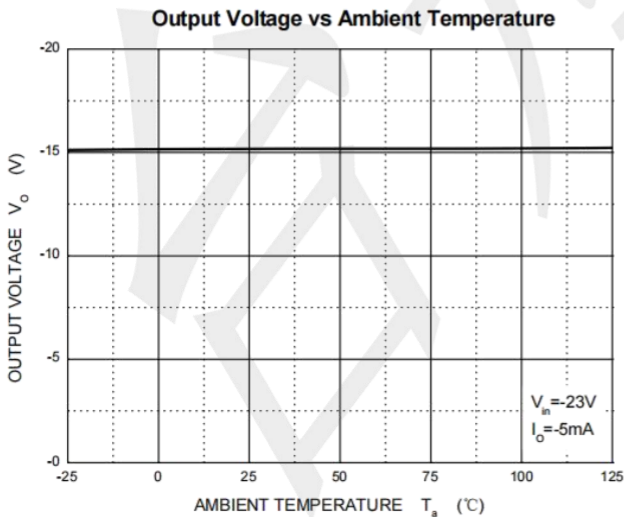
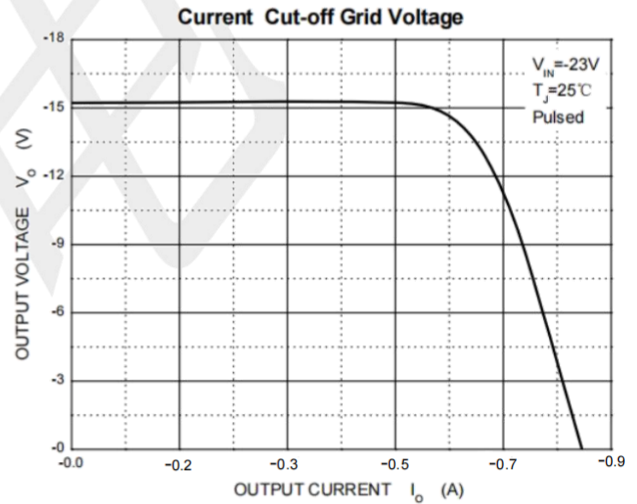
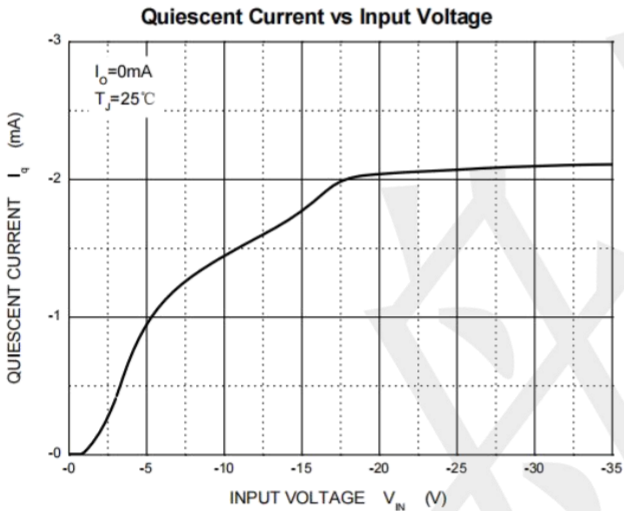
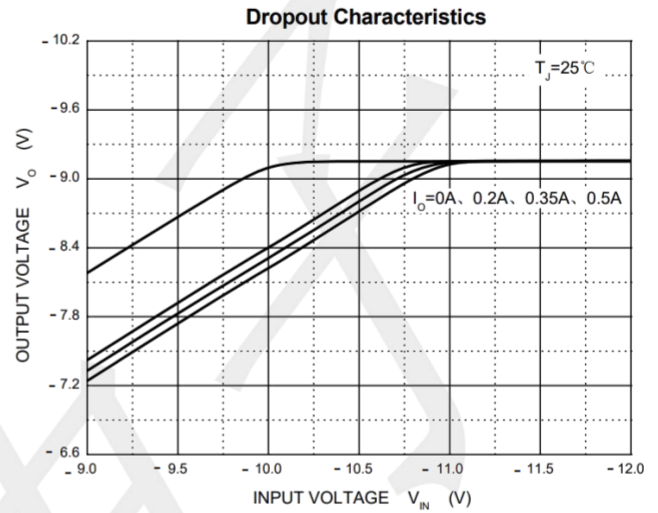
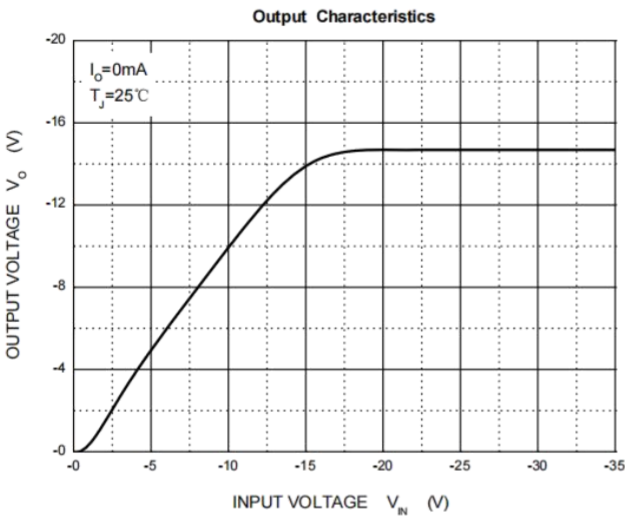
**Schematic diagram**



**Typical Application Circuit**

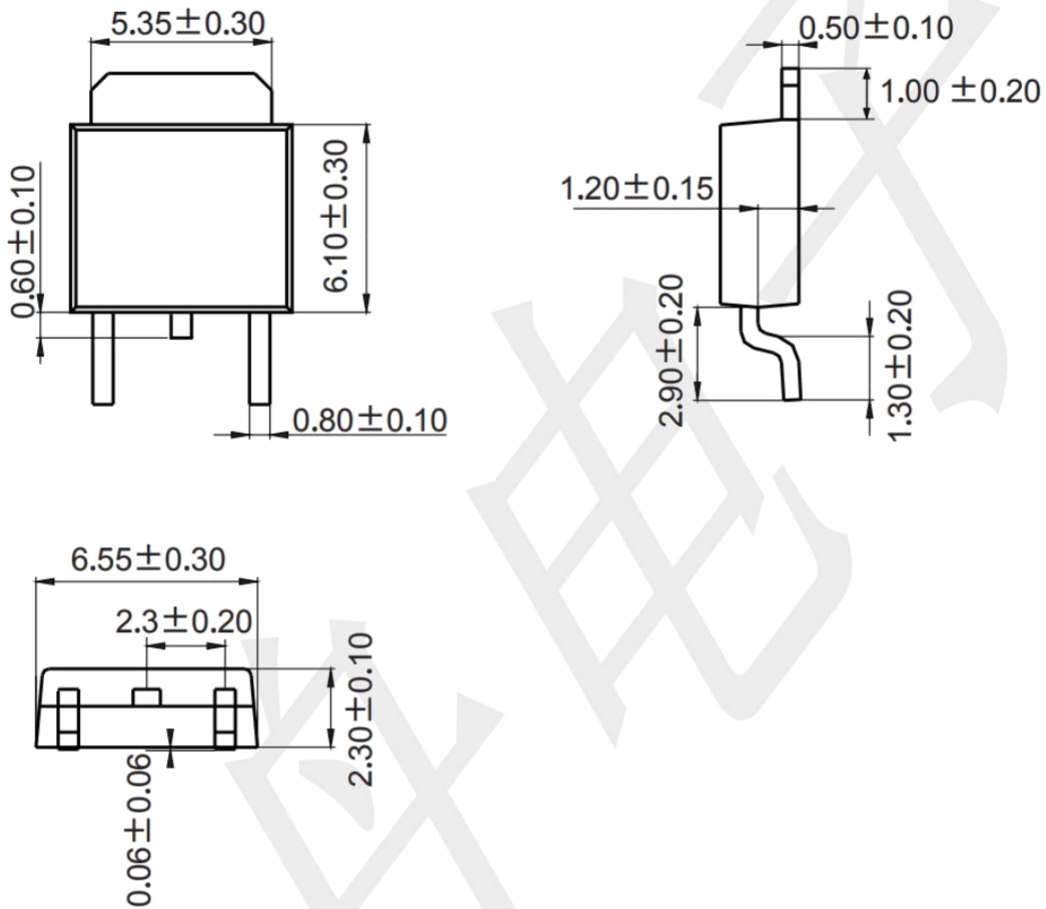


### Typical Operating Characteristics (25 °C, unless otherwise noted)



### Package Outline Dimensions (unit: mm)

TO-252-2L



### Mounting Pad Layout (unit: mm)

