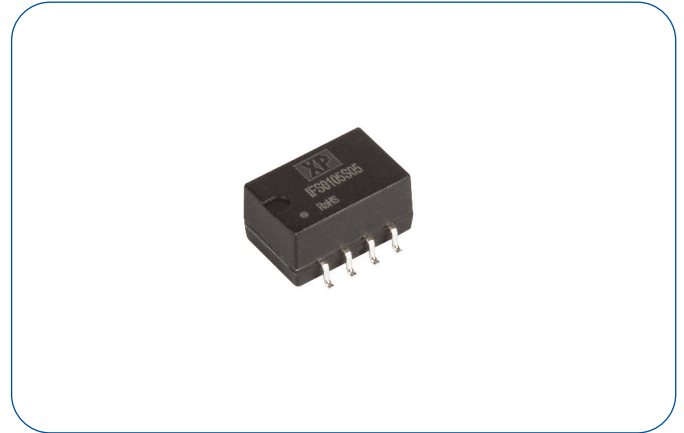


### 1 Watt

- Single unregulated output
- $\pm 10\%$  input range
- SMD DIP package
- 1.5kVDC isolation
- Industry standard pinout
- EN\UL 62368-1 safety approvals
- Continuous short circuit protection
- Tape & reel package available
- Operating temperature  $-40^{\circ}\text{C}$  to  $+105^{\circ}\text{C}$
- Full load to  $100^{\circ}\text{C}$
- 3 year warranty



#### Dimensions:

**IFS01 Single Output:**  
0.52 x 0.335 x 0.285" (13.2 x 8.5 x 7.25 mm)

The IFS01 series is an ideal solution for isolating voltage rails in a distributed power supply architecture such as analog, digital, data and relay circuits. This product family offers a compact design with high efficiency, 1.5kV isolation, short circuit protection and high operating temperature.

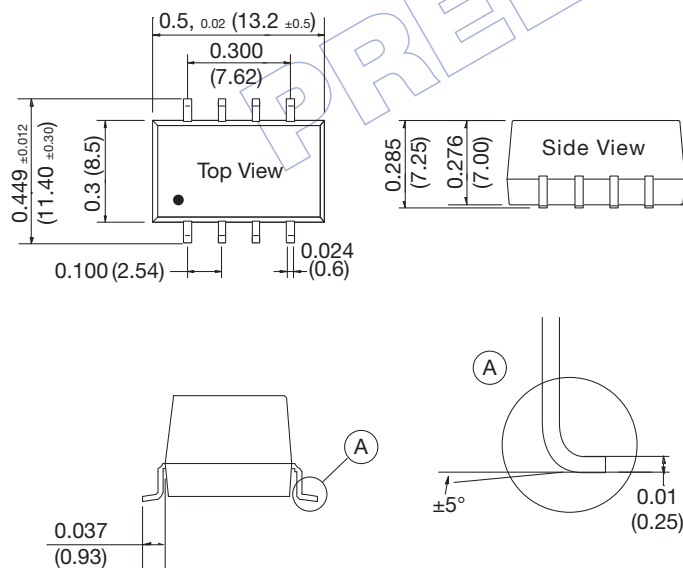
### Models & Ratings

Input Voltage	Output Voltage	Output Current		Input Current <sup>(1)</sup>		Maximum Capacitive Load	Efficiency <sup>(2)</sup>	Model Number <sup>(4)</sup>
		Minimum	Maximum	No Load	Full Load			
5V (4.5-5.5 V)	5V	20mA	200mA	5mA	270mA	2400 $\mu\text{F}$	82%	IFS0105S05
	9V	12mA	111mA	12mA	241mA	1000 $\mu\text{F}$	83%	IFS0105S09
	12V	9mA	84mA	12mA	241mA	560 $\mu\text{F}$	83%	IFS0105S12

### Notes

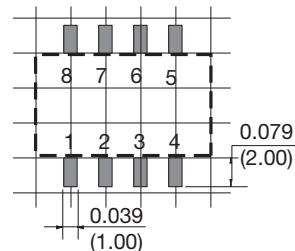
1. Typical input currents measured at nominal input voltage.
2. Typical value at full load.
3. Standard tube quantity = 38
4. For tape & reel option add suffix -TR. Reel quantity = 500

### Mechanical Details



#### Recommended Footprint

Top View grid: 0.1 x 0.1 in (2.54 x 2.54 mm)



Pin Out	
Pin	Function
1	GND
2	Vin
4	0V
5	+Vo
3,6,7,8	NC

### Notes

1. All dimensions are in inches (mm).
2. Weight: single output: 0.0028lbs (1.3g) typical
3. Pin pitch and length tolerance:  $\pm 0.01$  ( $\pm 0.25$ ).
4. Case tolerance:  $\pm 0.02$  ( $\pm 0.5$ ).

### Input

Characteristic	Minimum	Typical	Maximum	Units	Notes & Conditions
Input Voltage Range	4.50		5.50	VDC	5 V nominal
Input Current					See Models and Ratings table
Input Reflected Ripple		15		mA pk-pk	Through 4.7µH inductor and 220µF capacitor
Input Surge			9	VDC for 1 s	
Input Filter	Capacitor				

### Output

Characteristic	Minimum	Typical	Maximum	Units	Notes & Conditions
Output Voltage	5		12	VDC	See Models and Ratings table
Initial Set Accuracy				%	See Load Regulation Curves
Minimum Load	10			%	
Line Regulation			±1.2	%	Per 1% change of input voltage (±1.5% for 3V3 output)
Load Regulation				%	See load regulation curves
Ripple and Noise		30	75	mV pk-pk	20 MHz bandwidth, measured using 0.1 µF capacitor
Short Circuit Protection					Continuous, with auto recovery
Maximum Capacitive Load				µF	See Models and Ratings table
Temperature Coefficient			±0.02	%/°C	

### General

Characteristic	Minimum	Typical	Maximum	Units	Notes & Conditions
Efficiency					See Models and Ratings table
Isolation: Input to Output	1500			VDC	Functional
Switching Frequency	270		278	kHz	Low input voltage 10% load to high input voltage at full load
Isolation Resistance	10 <sup>9</sup>			Ω	Input to output, tested at 500 VDC
Isolation Capacitance		20		pF	Input to output
Power Density		20		Win <sup>3</sup>	
Mean Time Between Failure	3500			kHrs	MIL-HDBK-217F, +25 °C GB
Weight		0.002 (1.3)		lb (g)	Single output
Moisture Sensitivity Level (MSL)	Level 1				
Case Material	Black plastic, flame retardant UL94 V-0				
Pin Material	Phosphor bronze, solder coated				
Recommended Solder Profile	IPC/JEDEC J-STD-020D.1			Peak temp ≤245 °C, max duration, ≤60s at 217 °C	
Water Washing	Non-soaking water wash with de-ionised water. Dry thoroughly.				

### Environmental

Characteristic	Minimum	Typical	Maximum	Units	Notes & Conditions
Operating Temperature	-40		+105	°C	Derate from 100% load at +100 °C to 80% load at 105 °C
Storage Temperature	-55		+125	°C	
Case Temperature			+105	°C	
Case Temperature Rise		15		°C	Ambient 25°C
Operating Humidity			95	% RH	Non-condensing
Cooling					Natural convection

### Safety Approvals

Safety Agency	Safety Standard	Notes & Conditions
UL/CE	UL62368-1	
TUV	IEC/EN62368-1	

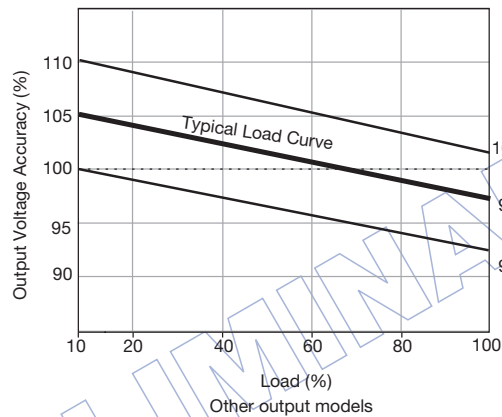
### EMC: Emissions

Phenomenon	Standard	Test Level	Notes & Conditions
Conducted	EN55032	Class B	See Application Note for Class B filter
Radiated	EN55032	Class B	See Application Note for Class B filter

### EMC: Immunity

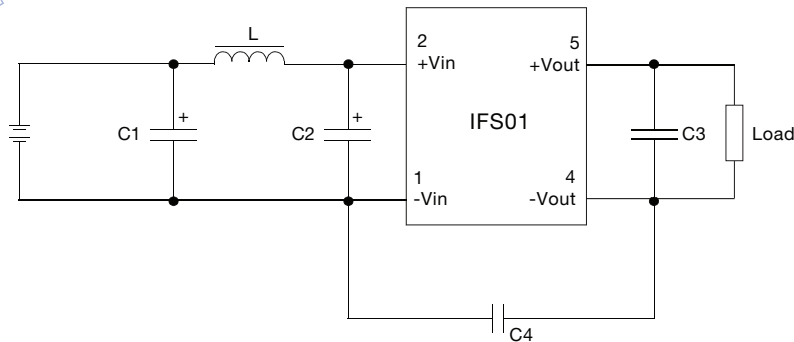
Phenomenon	Standard	Test Level	Criteria	Notes & Conditions
ESD Immunity	EN61000-4-2	Air $\pm 8\text{kV}$ , Contact $\pm 4\text{kV}$	B	

### Load Regulation



### Application Note

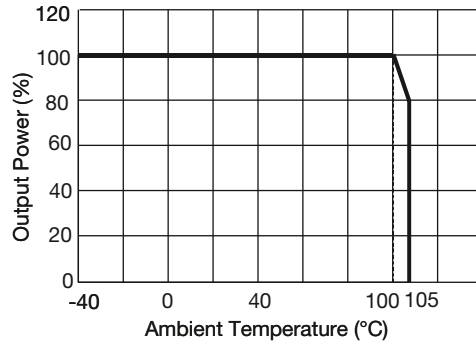
#### EMI Filter for Class B Emissions



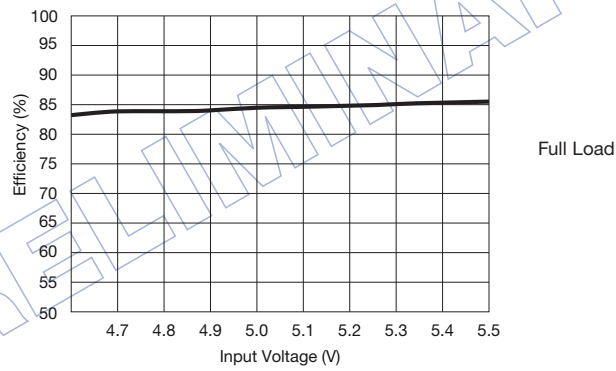
Component	Output Voltage			Notes
	5V	9V	12V	
C1, C2	4.7 $\mu\text{F}$	4.7 $\mu\text{F}$	4.7 $\mu\text{F}$	25V rated
C3	10 $\mu\text{F}$	4.7 $\mu\text{F}$	2.2 $\mu\text{F}$	25V rated
C4			1nF	2kV rated, ML Ceramic
L	6.8 $\mu\text{F}$	6.8 $\mu\text{H}$	6.8 $\mu\text{H}$	

### Application Note

#### Temperature Derating Curve



#### Efficiency vs Input Voltage (example IFS0105S05)



#### Efficiency vs Output Load (example IFS0105S05)

