

66360-2 ✓ ACTIVE

AMP | AMP Type III+

TE Internal #: 66360-2

Socket Contact, Tin-Lead, Size 16 Contact Size, 18 – 14 AWG Wire Size, .8 – 2 mm<sup>2</sup> Wire Size, Crimp, Brass, Power & Signal, AMP Type III+

[View on TE.com >](#)



Connectors > Contacts > Connector Contacts



Contact Type: **Socket**

Contact Mating Area Plating Material: **Tin-Lead**

Wire Contact Termination Area Plating Material: **Tin-Lead**

Contact Retention Within Housing: **With**

Contact Size: **Size 16**

## Features

### Contact Features

|   |                  |
|---|------------------|
| Mating Pin Diameter                                   | 1.57 mm[.062 in] |
| Contact Underplating Material Thickness               | .76 µm[30 µin]   |
| Wire Contact Termination Area Plating Thickness       | 2.54 µm[100 µin] |
| Wire Contact Termination Area Plating Material Finish | Bright           |
| Contact Mating Area Plating Material Thickness        | 2.54 µm[100 µin] |
| Contact Mating Area Plating Material Finish           | Bright           |
| Contact Orientation                                   | Straight         |
| Contact Underplating Material                         | Nickel           |
| Contact Type  | Socket           |
| Contact Mating Area Plating Material                  | Tin-Lead         |
| Wire Contact Termination Area Plating Material        | Tin-Lead         |
| Contact Retention Within Housing                      | With             |
| Contact Size  | Size 16          |
| Contact Base Material                                 | Brass            |



|                              |      |
|------------------------------|------|
| Contact Current Rating (Max) | 13 A |
|------------------------------|------|

### Termination Features

|                                    |              |
|------------------------------------|--------------|
| Termination Method to Wire & Cable | Crimp        |
| Product Terminates To              | Wire & Cable |

### Mechanical Attachment

|                         |      |
|-------------------------|------|
| Wire Insulation Support | With |
|-------------------------|------|

### Dimensions

|                                      |                              |
|--------------------------------------|------------------------------|
| Compatible Insulation Diameter Range | 2.03 – 2.54 mm [.08 – .1 in] |
| Wire Size                            | .8 – 2 mm <sup>2</sup>       |

### Usage Conditions

|                             |                            |
|-----------------------------|----------------------------|
| Operating Temperature Range | -55 – 90 °C [-67 – 194 °F] |
|-----------------------------|----------------------------|

### Operation/Application

|                     |                |
|---------------------|----------------|
| Circuit Application | Power & Signal |
|---------------------|----------------|

### Identification Marking

|                    |        |
|--------------------|--------|
| Contact Color Code | Violet |
|--------------------|--------|

### Packaging Features

|                    |                     |
|--------------------|---------------------|
| Packaging Quantity | 1000                |
| Packaging Method   | Carton, Loose Piece |

## Product Compliance

[For compliance documentation, visit the product page on TE.com>](#)

|   |  |
|---|--|
| EU RoHS Directive 2011/65/EU                  | Not Compliant  |
| EU ELV Directive 2000/53/EC                   | Compliant with Exemptions  |
| China RoHS 2 Directive MIIT Order No 32, 2016 | Restricted Materials Above Threshold   |
| EU REACH Regulation (EC) No. 1907/2006        | <p>Current ECHA Candidate List: JUNE 2024 (241)</p> <p>Candidate List Declared Against: JUNE 2024 (241)</p> <p>SVHC &gt; Threshold:</p> <p>Pb (13% in Component Part)</p> <p><b>Article Safe Usage Statements:</b><br/>Do not eat, drink or smoke when using this product. Wash thoroughly after handling. Recycle if possible and dispose of the article by following all applicable governmental regulations relevant to your geographic location.</p> |
| Halogen Content                               | Low Halogen - Br, Cl, F, I < 900 ppm per homogenous material. Also BFR/CFR/PVC Free  |

Solder Process Capability

Not applicable for solder process capability

Product Compliance Disclaimer

This information is provided based on reasonable inquiry of our suppliers and represents our current actual knowledge based on the information they provided. This information is subject to change. The part numbers that TE has identified as EU RoHS compliant have a maximum concentration of 0.1% by weight in homogenous materials for lead, hexavalent chromium, mercury, PBB, PBDE, DBP, BBP, DEHP, DIBP, and 0.01% for cadmium, or qualify for an exemption to these limits as defined in the Annexes of Directive 2011/65/EU (RoHS2). Finished electrical and electronic equipment products will be CE marked as required by Directive 2011/65/EU. Components may not be CE marked. Additionally, the part numbers that TE has identified as EU ELV compliant have a maximum concentration of 0.1% by weight in homogenous materials for lead, hexavalent chromium, and mercury, and 0.01% for cadmium, or qualify for an exemption to these limits as defined in the Annexes of Directive 2000/53/EC (ELV). Regarding the REACH Regulation, the information TE provides on SVHC in articles for this part number is based on the latest European Chemicals Agency (ECHA) 'Guidance on requirements for substances in articles' posted at this URL: <https://echa.europa.eu/guidance-documents/guidance-on-reach>

### Compatible Parts



TE Part # 91519-1  
CCII TYPE III+ PIN SKT 18-14 ASSY



TE Part # 200893-2  
INSERTION TOOL CONT




TE Part # 539972-1  
EXTRACTION TOOL




TE Part # 305183  
EXTRACT TOOL TYPE 2 20-16

### Also in the Series | AMP Type III+



Connector Contacts(400)



Insertion & Extraction Tools(4)

### Customers Also Bought



TE Part #2439450001  
RPS Commercial Grade Sleeves



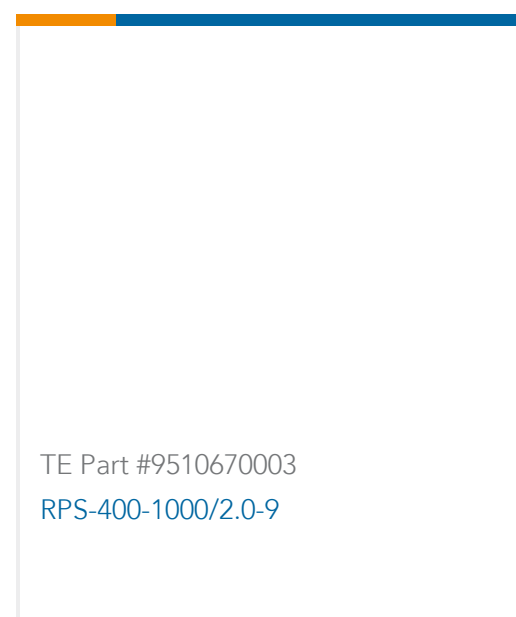
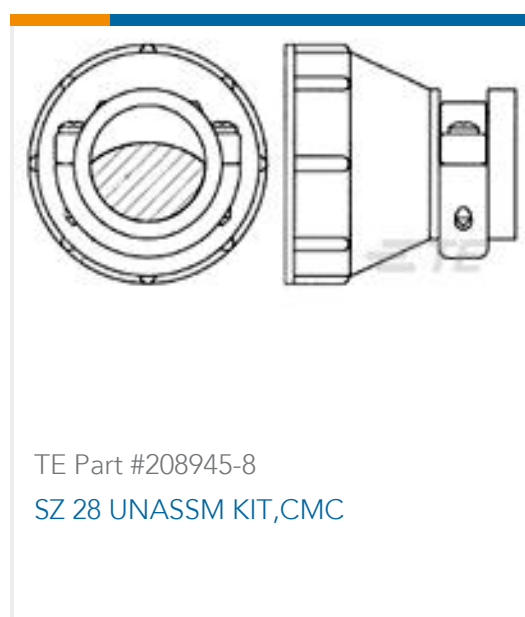
TE Part #91506-1  
CCII UNML UNML II PIN SKT 16-14 ASSY



TE Part #208470-1  
CMC PLUG ASSEMBLY,SZ 28



TE Part #208457-1  
CMC PLUG ASSEMBLY,SZ 28-24



## Documents

### Product Drawings

III+ SKT,18-14,TIN-LEAD,LP

English

### CAD Files

Customer View Model

[ENG\\_CVM\\_CVM\\_66360-2\\_AH.2d\\_dxf.zip](#)

English

3D PDF

3D

Customer View Model

[ENG\\_CVM\\_CVM\\_66360-2\\_AH.3d\\_igs.zip](#)

English

Customer View Model

[ENG\\_CVM\\_CVM\\_66360-2\\_AH.3d\\_stp.zip](#)

English

By downloading the CAD file I accept and agree to the [Terms and Conditions](#) of use.

### Product Specifications

[Application Specification](#)

English

### Instruction Sheets

[Instruction Sheet \(U.S.\)](#)

Japanese

[Instruction Sheet \(U.S.\)](#)

English