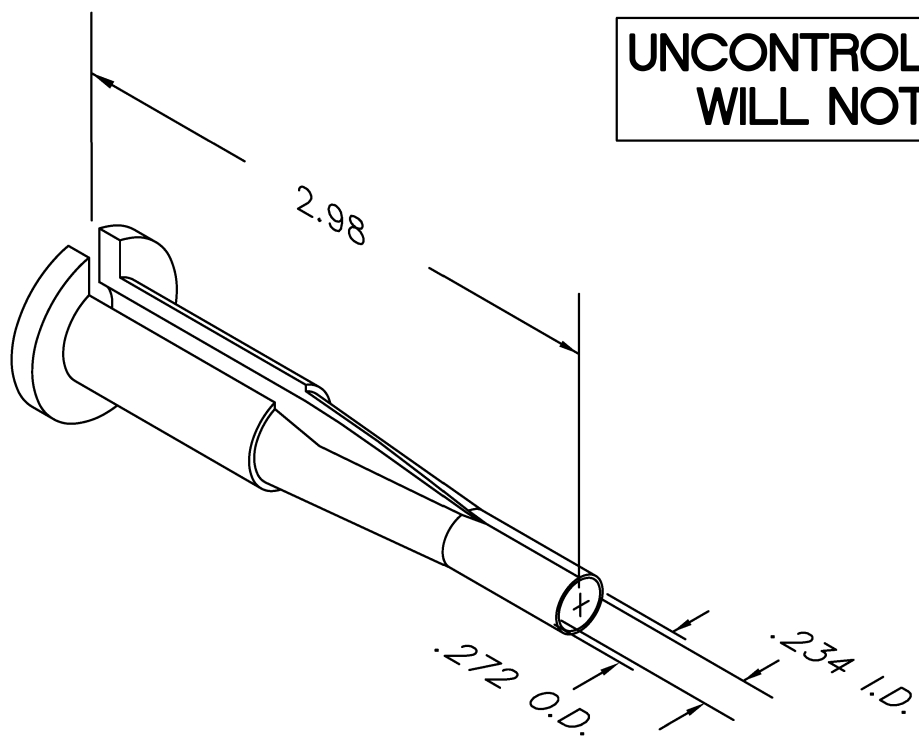


REVISIONS				
REV. SYM.	E.C.O. NUMBER	DESCRIPTION	BY DATE	APP'D DATE
1		ORIGINAL RELEASE	JWJ 6/25/03	RRR 6/25/03

**UNCONTROLLED DOCUMENT  
WILL NOT BE UPDATED**



<b>RESTRICTED &amp; CONFIDENTIAL</b>  CONFIDENTIAL PROPERTY OF DANIELS MANUFACTURING CORP. NOT TO BE DISCLOSED TO OTHERS, REPRODUCED OR USED FOR ANY OTHER PURPOSE, EXCEPT AS AUTHORIZED IN WRITING BY DANIELS MANUFACTURING. MUST BE RETURNED TO DANIELS MANUFACTURING CORP. ON COMPLETION OF ORDER OR OTHER PURPOSE FOR WHICH LENT.	MATERIAL	ITEM	PART NO.	QTY.	DESCRIPTION/REMARKS		
	HEAT TREAT	DRN.	J. JOYCE	DATE	<b>DANIELS MANUFACTURING CORP.</b> ORLANDO, FLORIDA CAGE 11851		
		CHK'D.	RRR	DATE			
	FINISH	APP'D.	DATE	TITLE <h3 style="text-align: center;">INSTALLING TOOL ENVELOPE DRAWING</h3>			
APP'D.		DATE					
<b>DO NOT SCALE DRAWING</b>	NOTE:		WHERE USED:				
	THIS DRAWING IS AN OUTLINE DRAWING OF THE RESPECTIVE DMC PART NUMBER INDICATED. ACTUAL DMC PART NUMBER IS DRAWING NUMBER WITHOUT THE "-ENV" SUFFIX.		SIZE	SCALE	CAD P/N	SHEET	OF
			A	NTS	294-540-ENV	1	1
			POSTING	DWG. NO.		REV.	
				294-540-ENV		1	

# Mouser Electronics

Authorized Distributor

Click to View Pricing, Inventory, Delivery & Lifecycle Information:

[Daniels Manufacturing:](#)

[294-540](#)