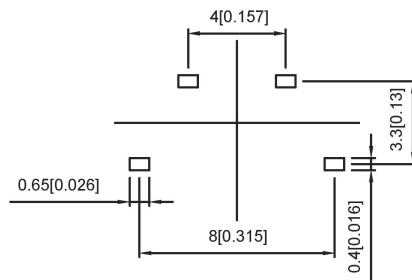
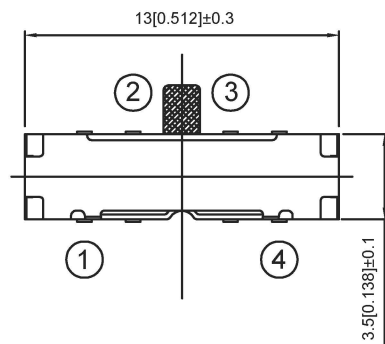
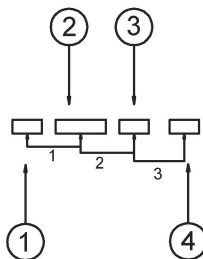


NOTE:
 Rating: DC 12V 50mA
 Operating
 Force: 200±100gf
 Lifetime: 10,000 Cycles



PAPT NO	L
SK-3346D-01-L1	2.0
SK-3346D-01-L2	3.0
SK-3346D-01-L3	4.0

ITEM	PAPT NAME	TER,NO	QTY	MATERIAL	FINISHING	REMARK
4	Terminal		2	Phosphor branze	ag Plated	
3	Base		1	PPA	Black	
2	Cover		1	Sus	Natural	
1	Keystake		1	Pa46	Black	



广东星坤科技股份有限公司

生	日期
效	日期
ΔX	
ΔX	
ΔX	
MARK	
文件	工程
章	

DATE	REVISED	APPROVED	UNSPECIFIED TOLERANCES

DSND		DATE		SCALE: N/A	MODEL TYPE: SLIDE SWITCH
DWN		DATE		VIEW:	PART NO.:
CHKD		DATE		UNIT: mm/in	DWG NO.: SK-3346D-01-X
APPD		DATE		SIZE: A4	
XKB INDUSTRIAL PRECISION CO., LIMITED					WEIGHT 1.0g
					SHEET 1/1
					REVISION A0