

# UL489 and UL1077 Circuit Protectors

CARLO GAVAZZI



## UL489 Type for Standard Voltage (GMB63 Series)

Ampere Size	One Pole Part Number*	Two Pole Part Number*	Three Pole Part Number*
0.5	GMB631PC0.5	GMB632PC0.5	GMB633PC0.5
1	GMB631PC1	GMB632PC1	GMB633PC1
1.6	GMB631PC1.6	GMB632PC1.6	GMB633PC1.6
2	GMB631PC2	GMB632PC2	GMB633PC2
3	GMB631PC3	GMB632PC3	GMB633PC3
4	GMB631PC4	GMB632PC4	GMB633PC4
5	GMB631PC5	GMB632PC5	GMB633PC5
6	GMB631PC6	GMB632PC6	GMB633PC6
8	GMB631PC8	GMB632PC8	GMB633PC8
10	GMB631PC10	GMB632PC10	GMB633PC10
13	GMB631PC13	GMB632PC13	GMB633PC13
15	GMB631PC15	GMB632PC15	GMB633PC15
16	GMB631PC16	GMB632PC16	GMB633PC16
20	GMB631PC20	GMB632PC20	GMB633PC20
25	GMB631PC25	GMB632PC25	GMB633PC25
30	GMB631PC30	GMB632PC30	GMB633PC30
32	GMB631PC32	GMB632PC32	GMB633PC32
35	GMB631PC35	GMB632PC35	GMB633PC35
40	GMB631PC40	GMB632PC40	GMB633PC40
50	GMB631PC50	GMB632PC50	GMB633PC50
60	GMB631PC60	GMB632PC60	GMB633PC60
63	GMB631PC63	GMB632PC63	GMB633PC63

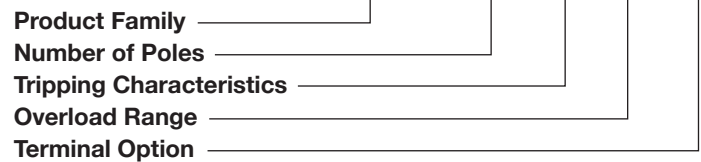
## UL489 Type for High Voltage (GMB63H Series)

Ampere Size	One Pole Part Number*	Two Pole Part Number*	Three Pole Part Number*
0.5	GMB63H1PC0.5	GMB63H2PC0.5	GMB63H3PC0.5
1	GMB63H1PC1	GMB63H2PC1	GMB63H3PC1
1.6	GMB63H1PC1.6	GMB63H2PC1.6	GMB63H3PC1.6
2	GMB63H1PC2	GMB63H2PC2	GMB63H3PC2
3	GMB63H1PC3	GMB63H2PC3	GMB63H3PC3
4	GMB63H1PC4	GMB63H2PC4	GMB63H3PC4
5	GMB63H1PC5	GMB63H2PC5	GMB63H3PC5
6	GMB63H1PC6	GMB63H2PC6	GMB63H3PC6
8	GMB63H1PC8	GMB63H2PC8	GMB63H3PC8
10	GMB63H1PC10	GMB63H2PC10	GMB63H3PC10
13	GMB63H1PC13	GMB63H2PC13	GMB63H3PC13
15	GMB63H1PC15	GMB63H2PC15	GMB63H3PC15
16	GMB63H1PC16	GMB63H2PC16	GMB63H3PC16
20	GMB63H1PC20	GMB63H2PC20	GMB63H3PC20

## UL1077 Type for Standard Voltage (GSB63 Series)

Ampere Size	One Pole Part Number*	Two Pole Part Number*	Three Pole Part Number*
1	GSB631PC1	GSB632PC1	GSB633PC1
2	GSB631PC2	GSB632PC2	GSB633PC2
3	GSB631PC3	GSB632PC3	GSB633PC3
4	GSB631PC4	GSB632PC4	GSB633PC4
6	GSB631PC6	GSB632PC6	GSB633PC6
10	GSB631PC10	GSB632PC10	GSB633PC10
16	GSB631PC16	GSB632PC16	GSB633PC16
20	GSB631PC20	GSB632PC20	GSB633PC20
25	GSB631PC25	GSB632PC25	GSB633PC25
32	GSB631PC32	GSB632PC32	GSB633PC32
40	GSB631PC40	GSB632PC40	GSB633PC40
50	GSB631PC50	GSB632PC50	GSB633PC50
63	GSB631PC63	GSB632PC63	GSB633PC63

## Ordering Key GMB63H 1P C 10 R



## Selection Guide

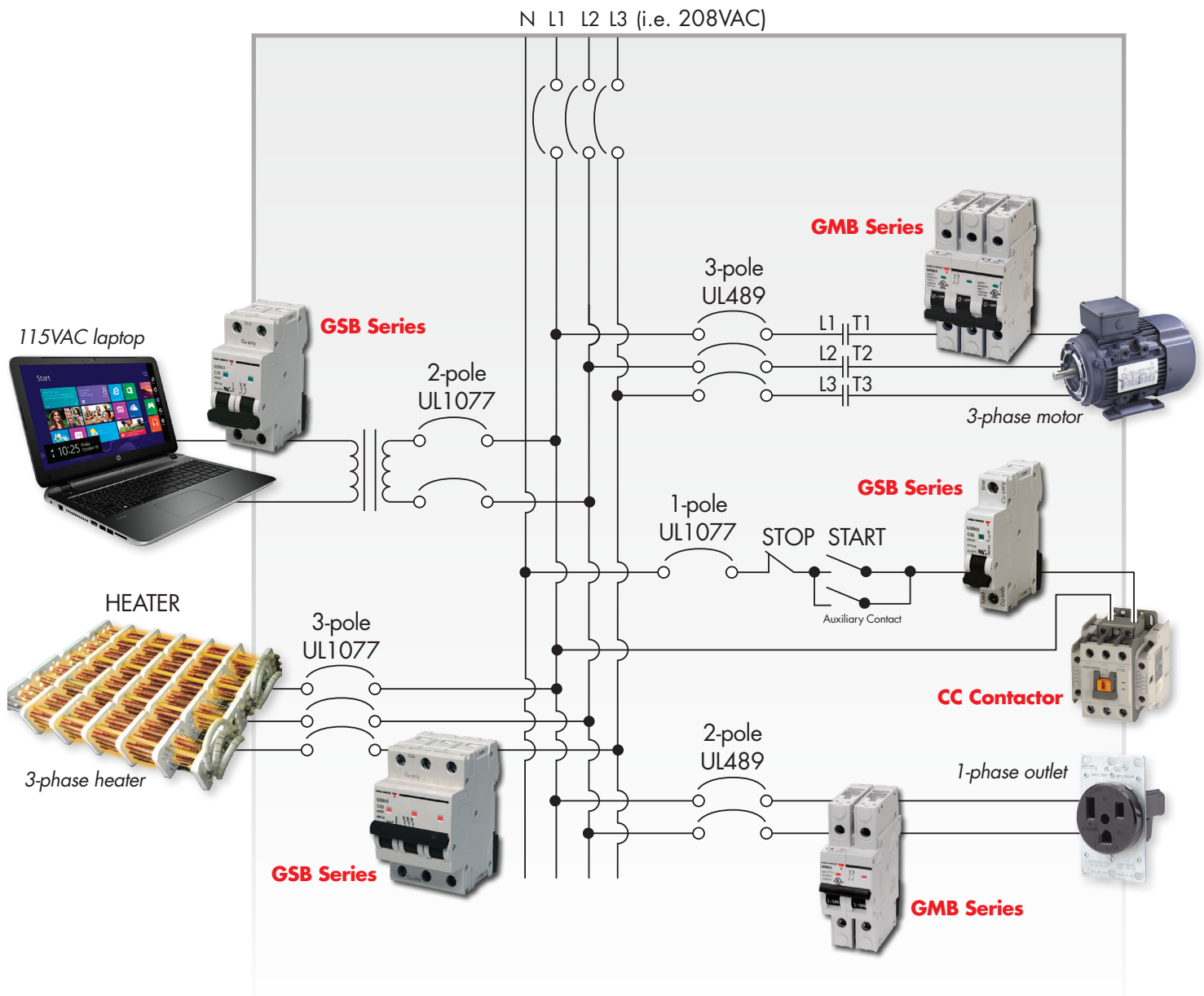
Product Family	Number of Poles	Tripping Curve	Overload Range	Terminal Type
GSB63	1, 2, 3, 4	C standard	1 ~ 63	blank
GMB63	1, 2, 3	C standard	0.5 ~ 63	blank - lug
GMB63H				R - ring

## Specifications

Product Family	GMB63	GMB63H	GSB63
UL Standard	489		1077
Pole Configuration	1, 2, 3		1, 2, 3, 4
Current Rating	0.5 ~ 63A		1 ~ 63A
Voltage Rating	240VAC / 60VDC	480Y / 277 VAC	480Y / 277VAC
Interrupting Rating	10kA		5kA
Tripping Curves	C (B, D upon request)		
Approvals	cUL listed, CE		cRUus
Wire Size	14 ~ 4 AWG		14 ~ 6 AWG
Max Torque	31 lb-in		17.8 lb-in
Protection Degree	IP20		

\* The items shown on this page are the commonly inventoried items, to see our full product offering and real time inventory, please visit [www.GavazziOnline.com](http://www.GavazziOnline.com) or download our CARLO GAVAZZI mobile APP.

# Applications for UL489 and UL1077 Circuit Protectors



**GMB Series:** 1, 2, and 3 Pole, UL489, 10KA, Up to 63A  
 Used for branch circuit protection of motors, receptacles and other equipment;  
 can be used in place of the GSB Series protector

**GSB Series:** 1, 2, 3, and 4 Pole, UL1077, 5KA, Up to 63A  
 Used in over current protection of equipment where branch protection is  
 already provided; cannot be used in place of the GMB Series circuit breaker

Download the CARLO GAVAZZI Mobile APP



**CARLO GAVAZZI**  
 Automation Components

USA Tel: 847.465.6100 Fax: 800.222.2659

Canada Tel: 888.575.2275 Fax: 905.542.2248

Mexico Tel and Fax: 55.5373.7042

www.GavazziOnline.com • Info@CarloGavazzi.com

twitter.com/CarloGavazziNA facebook.com/CarloGavazziNA

