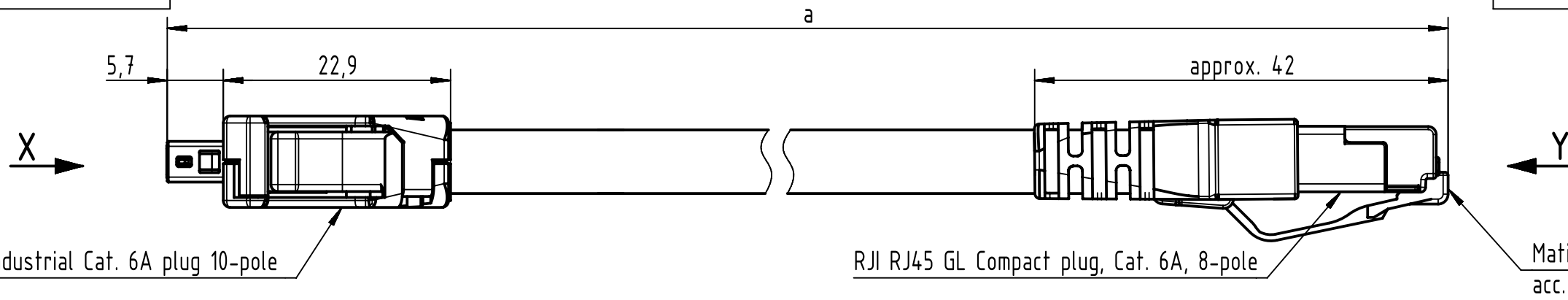


Connector Location A

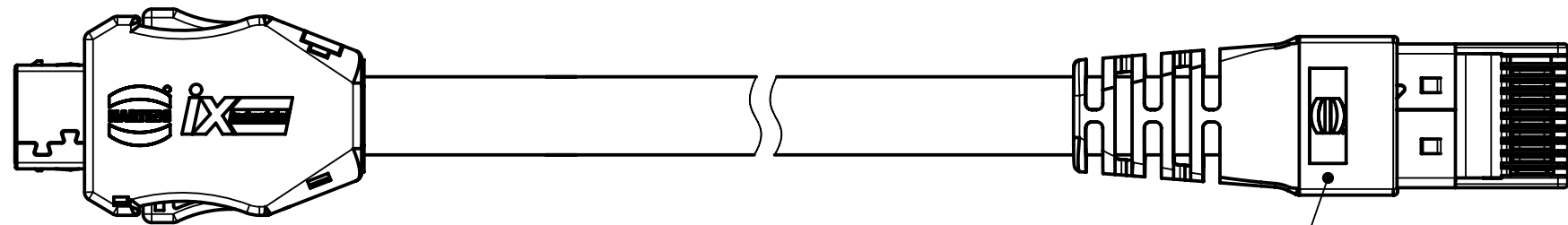
Connector Location B



HARTING ix Industrial Cat. 6A plug 10-pole

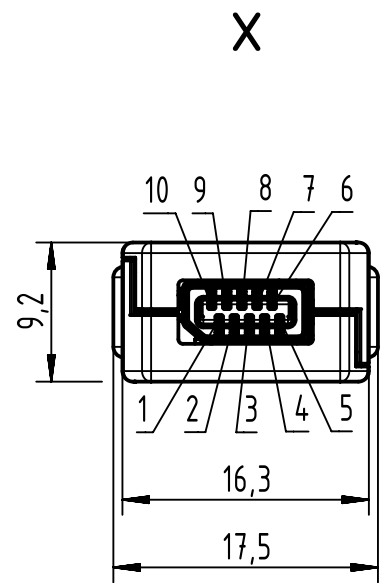
RJI RJ45 GL Compact plug, Cat. 6A, 8-pole

Mating face RJ45 acc. to IEC 60603-7

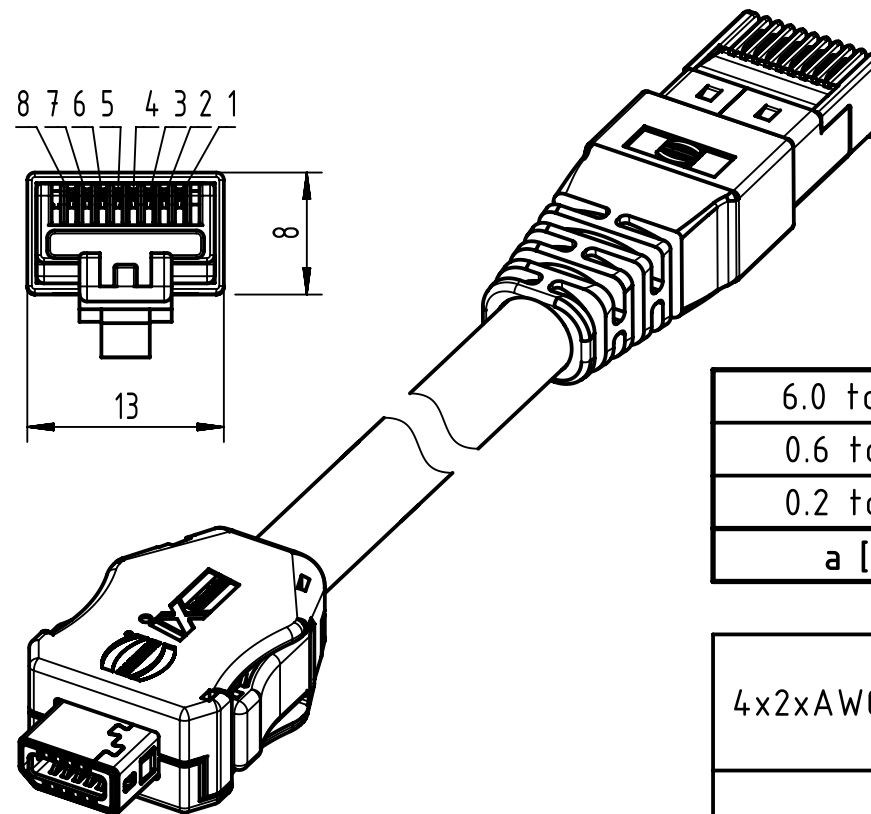
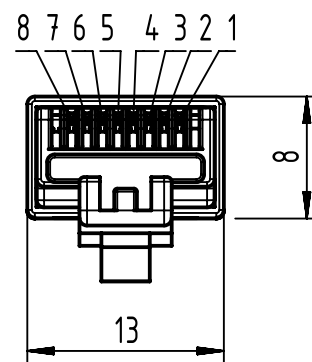
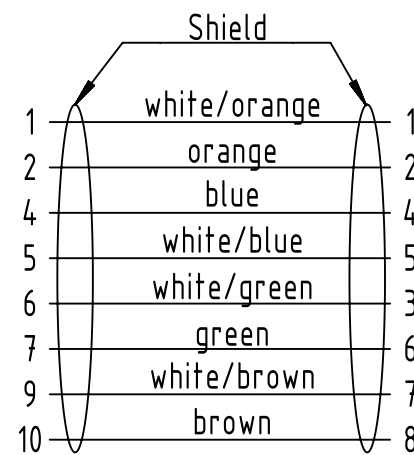


Black compact boot with HARTING logo

Loading-Plan acc. to TIA/EIA 568B



Contacts 3 and 8 are not connected



- Protection level: IP20
- Temperature range: -40°C...+80°C

length in "1m" step	100	XXX=000
	99	XXX=990
	.	.
	12	XXX=120
length in "0.1m" step	11	XXX=110
	10	XXX=100
	9.9	XXX=099
	9.8	XXX=098
	.	.
length in "0.1m" step	0.5	XXX=005
	0.4	XXX=004
	0.3	XXX=003
	0.2	XXX=002
Step	a [m]	XXX

6.0 to 100	±1%
0.6 to 5.9	+0.04
0.2 to 0.5	+0.02
a [m]	Tolerance

4x2xAWG28, yellow, PVC, Cat. 6A	09482612749XXX
Type of cable	Part no.

	All Dimensions in mm		Tech. Character.		Free size tol.		According to production drawing	
	All rights reserved		Created by	Inspected by	Standardisation	Date	State	
Department HCS - RO		MUNTEANV	COSTEA	AVRAM	2017-10-19	Final Release		
HARTING Customised Solutions		Title ix Industrial - RJ45 PVC cable assembly				Doc-Key / ECM-Nr.		
D-32427 Minden		Type	Number		100695572/UGD/000/B		500000126826	
		TB	09482612749XXX		Rev. B		Page 1/1	

Mouser Electronics

Authorized Distributor

Click to View Pricing, Inventory, Delivery & Lifecycle Information:

[HARTING:](#)

[09482612749015](#) [09482612749005](#) [09482612749010](#) [09482612749020](#) [09482612749030](#) [09482612749050](#)