

SPECIFICATIONS

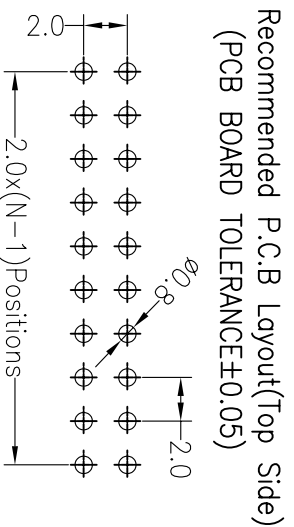
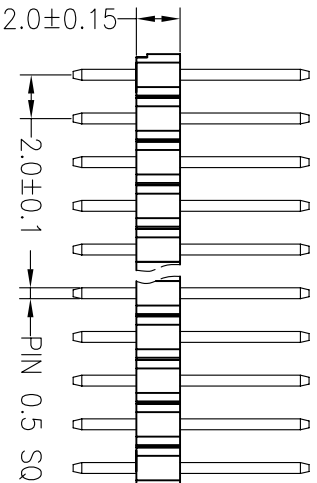
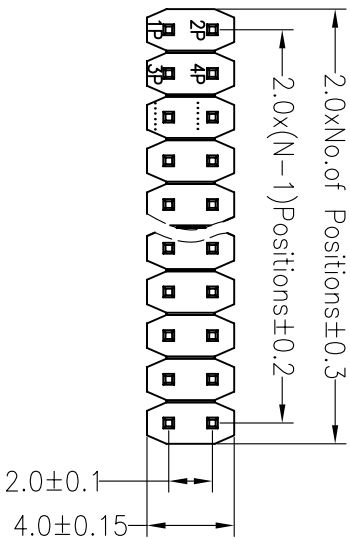
Rated Current: 1.5AMP
 Contact Resistance: 20mΩ Max
 Withstand Voltage: 500V AC/DC
 Insulation Resistance: 1000MΩ Min
 Operation Temperature: -40°C to +105°C

Contact Material: Brass
 Contact Plating: Au or Sn Over Ni
 Insulator Material: Polyester (UL94V-0)
 Standard: PA6T
 Max. Processing Temp: 230°C for 30-60 seconds
 (260°C for 5 seconds)

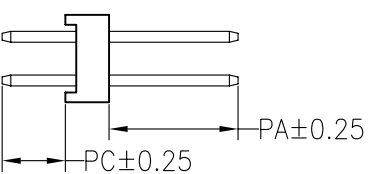
Ordering Information

1320 12 XX X N XX S XXX X 01

No. of Pins Per Row 1x40
 Insulator Material Option
 A=BK-PBT
 B=BK-PA66
 C=BK-PA6T
 D=BK-PA46
 F=BK-LCP
 Contact Plating
 G0: 0.8U" Gold
 G1: 1U" Gold
 G2: 1.5U" Gold
 G3: 2U" Gold
 G4: 3U" Gold
 S0: Gold Flash/Tin
 SN: Tin
 Pin Length
 Post
 A=Troy
 T=Tube
 O=Pe
 R=Tube&Reel
 P=Tube&Reel



Recommended P.C.B. Layout (Top Side)
 (PCB BOARD TOLERANCE ±0.05)



Dimension antitheses list			
ITEM	PC	PA	L
Standard	2.80	3.90	8.70
Alternate			

REV	DATE	MODIFICATION DESCRIPTION	CHANGE	OPERATION	DRAW	BEN	SCALE	FIT	PART NO.	TITLE:
A0	2012.04.11	NEW DRAWING		X.X ±0.30		12.04.11	UNIT mm	A4	1320-12XXXXXSXXXX01	2.0PH 2x4pin H2.0mm 180°
1				X.XX ±0.20	CHECK		SIZE A4	1/1		
				X.XXX ±0.10			SHEET			
				Angle ±3°	APPROVE		PROJ.			
				DIM TOL						

JIN 深圳市锦凌电子有限公司
 SHENZHEN JINLING ELECTRONIC CO.,LTD
 Tel: 86-755-2997-5806/5802 Fax: 86-755-2997-5892