

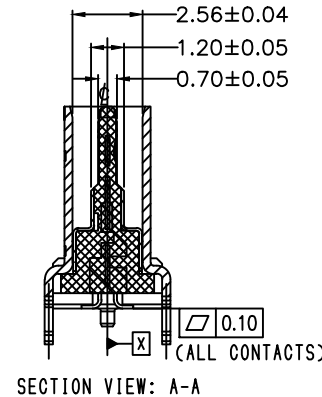
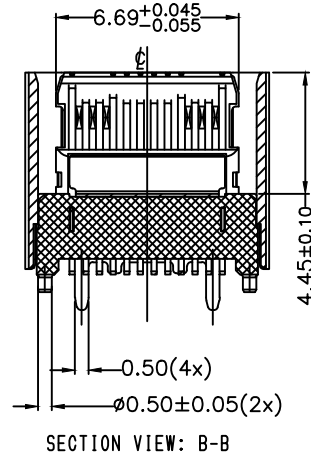
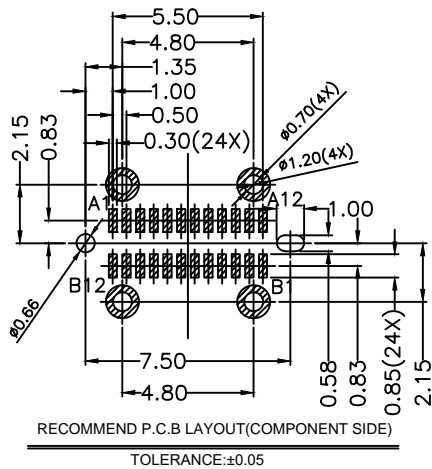
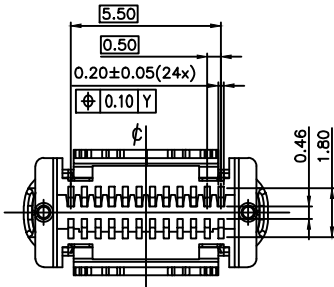
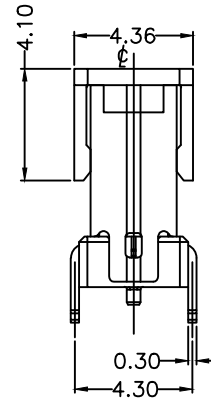
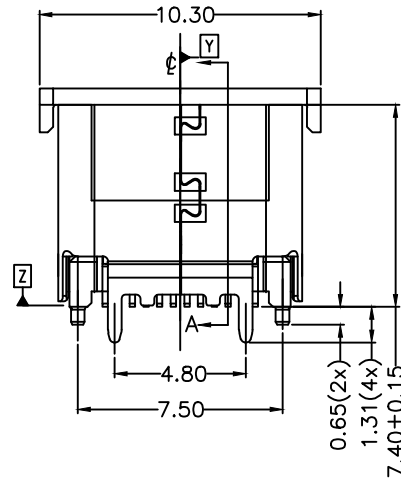
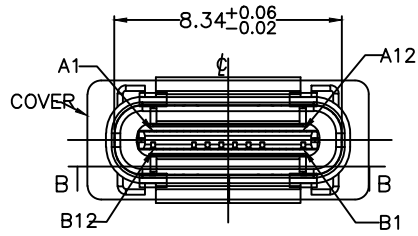
备注 NOTES:

1.材质 Material:

- 1.1胶芯 Plastic core: PA9T+30%G.F
- 1.2端子 Terminal: C18140, T=0.15mm; Nickel base,gold plated
- 1.3外壳 shell: SUS, T=0.30mm; Nickel plated on the surface
- 1.4卡片 shell fragment: SUS, T=0.15mm;

2.电气特性 ELECTRICAL CHARACTERISTIC:

- 2.1额定电流 Rated current: 5A
- 2.2接触阻抗 Contact resistance: 40mΩ MAX
- 2.3绝缘阻抗 Insulation resistance: 100MΩ MIN 250V DC
- 2.4耐压 WITHSTANDING VOLTAGE: 100V AC
- 2.5沾锡性: 温度245±5℃, 时间5±0.5s
- 2.6插入力 INSERTION FORCE: 2.0kgf MAX
拔出力 EXTRACTION FORCE:0.6kgf MIN
- 2.7使用寿命 Service life: 10.000次
- 2.8工作温度 Operating temperature: -40℃~+80℃



A1	GND	B12	GND
A2	SSTXP1	B11	SSRXP1
A3	SSTXN1	B10	SSRXN1
A4	VBUS	B9	VBUS
A5	CC1	B8	SBU2
A6	DP1	B7	DN2
A7	DN1	B6	DP2
A8	SBU1	B5	CC2
A9	VBUS	B4	VBUS
A10	SSRXN2	B3	SSTXN2
A11	SSRXP2	B2	SSTXP2
A12	GND	B1	GND
PIN	SIGNAL NAME	PIN	SIGNAL NAME

U263-24XN-3BQC92

- 01:AU 1U"Min
- 03:AU 3U"Min
- 05:AU 5U"Min
- 10:AU 10U"Min
- 15:AU 15U"Min
- 30: AU 30U"Min
- 1:PBT
- 2:PA6T
- 3:PA9T
- 4:LCP
- W:WHITE
- B:BLACK

REVISIONS					UNSPECIFIED TOLERANCES			DSND	DATE	SCALE: N/A	MODEL TYPE: 3.1 TYPE C		
ΔX					ANGLAR	±5°							
ΔX					L ≤ 4	±0.2	DWN		DATE	VIEW:	PART NO.: XKB		
ΔX					4 < L ≤ 16	±0.3	CHKD		DATE	UNIT: mm/in	DWG NO.:		
MARK	DESCRIPTION	DATE	REVISED	APPROVED	16 < L ≤ 63	±0.4	APPD		DATE	SIZE: A4	U263-24XN-3BQC92		
					L > 63	±0.5					WEIGHT	SHEET	REVISION
www.xk-dg.cn www.helloxkb.com www.helloxkb.cn							XKB INDUSTRIAL PRECISION CO.,LIMITED					1/1	A0