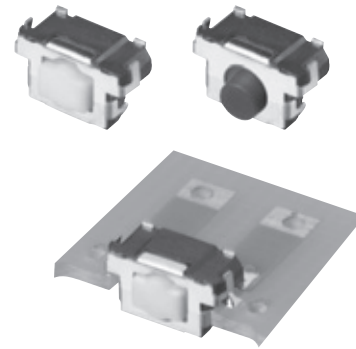


6.2 mm×2.5 mm Side-operational Edge Mount

Light Touch Switches

Type: **EVQP4**



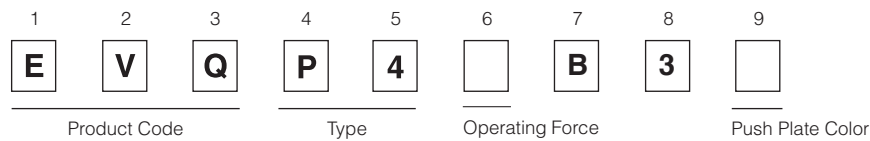
■ Features

- External dimensions : 6.2 mm×2.55 mm (Excluding the push plate), Height 3.5 mm (Printed circuit board being as low as 1.35 mm)
- Side-operational Middle Travel (0.7 mm) with a high operating force (5.0 N)
- Improved soldering strength in the operating direction when mounted on PC board edge

■ Recommended Applications

- Operation switches for portable electronic equipment (Mobile phones, Digital still cameras, Camcorders, Portable audio players, etc.)
- Keyless entry (car electronics)
- Car audio equipment

■ Explanation of Part Numbers


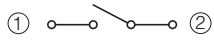
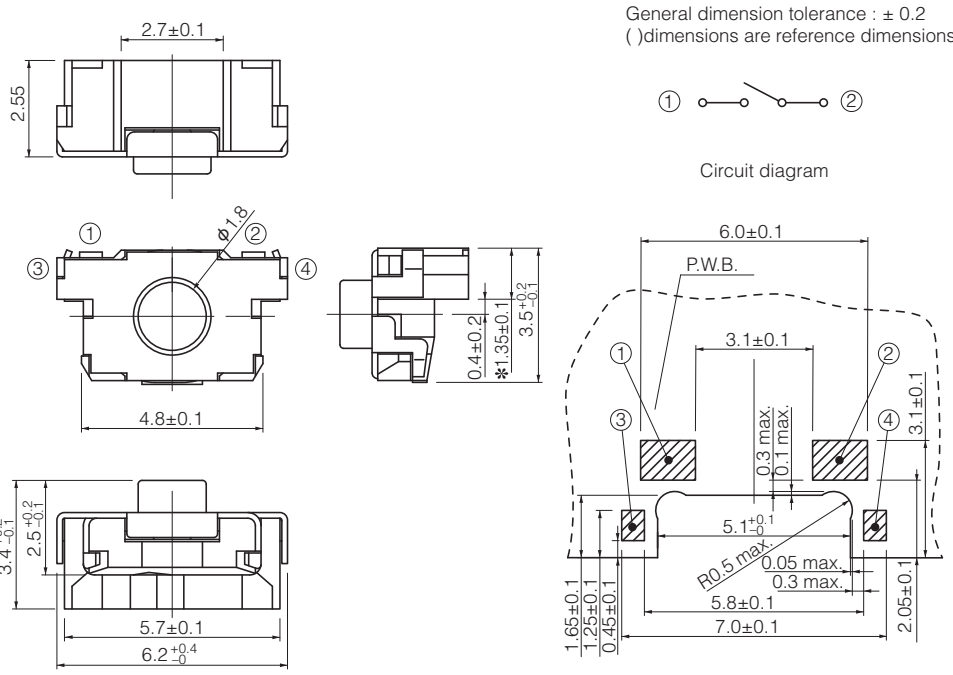

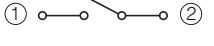
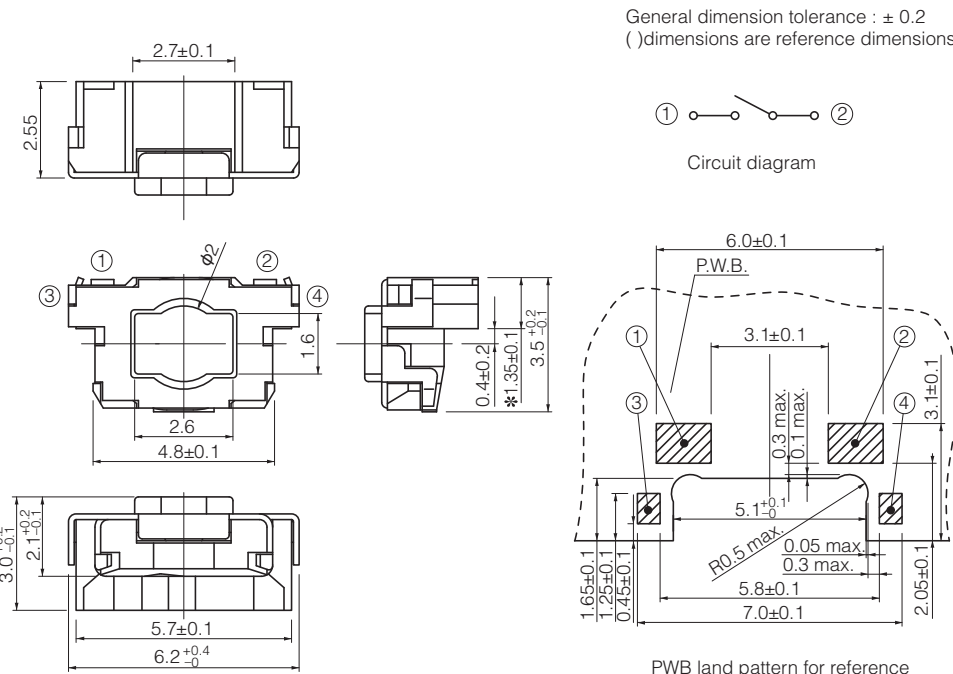


■ Specifications

Travel Type		Middle Travel	Short Travel
Type		Snap action / Push-on type SPST	
Electrical	Rating	10 μA 2 V DC to 20 mA 15 V DC (Resistive load)	
	Contact Resistance	100 mΩ max.	
	Insulation Resistance	100 MΩ min. (at 100 V DC)	
	Dielectric Withstanding Voltage	250 V AC for 1 minute	
	Bouncing	10 ms max. (ON, OFF)	
Mechanical	Operating Force	2.5 N, 3.5 N, 5.0 N	1.0 N, 1.6 N, 2.4 N, 3.5 N
	Travel	0.70 mm±0.2 mm	0.25 mm ^{+0.05} / _{-0.15} mm
	Push Strength	50 N (1 minute)	
Endurance	Operating Life	2.5 N:1,000,000 cycles min.	1.0 N, 1.6 N:1,000,000 cycles min.
		3.5 N: 500,000 cycles min.	2.4 N: 500,000 cycles min.
		5.0 N: 200,000 cycles min.	3.5 N: 200,000 cycles min.
Operating Temperature		-40 °C to +85 °C	
Storage Temperature		-40 °C to +85 °C (Bulk) -20 °C to +60 °C (Taping)	
Minimum Quantity/Packing Unit		2,500 pcs. Embossed Taping (Reel Pack)	
Quantity/Carton		12,500 pcs.	

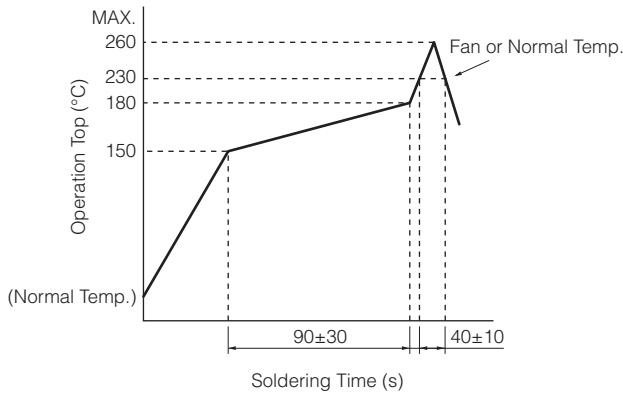
Design and specifications are each subject to change without notice. Ask factory for the current technical specifications before purchase and/or use. Should a safety concern arise regarding this product, please be sure to contact us immediately.

■ Dimensions in mm (not to scale)

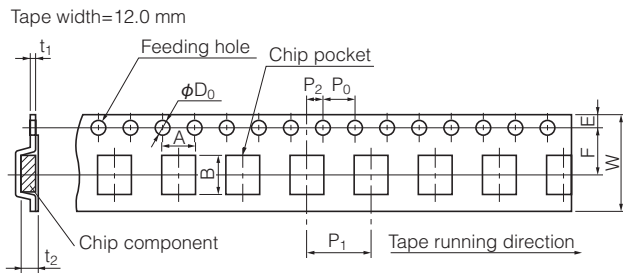
<p>No. 1</p> <p>EVQP4</p> <p>Middle travel</p> 	<p>General dimension tolerance : ± 0.2 () dimensions are reference dimensions.</p>  <p>Circuit diagram</p>  <p>* Height from surface of PCB : 1.35 mm</p>			
<p>Part Numbers</p> <p>EVQP4HB3B</p> <p>EVQP4KB3Q</p> <p>EVQP4MB3K</p>	<p>Operating Force</p> <p>2.5 N</p> <p>3.5 N</p> <p>5.0 N</p>	<p>Height</p> <p>3.5 mm</p> <p>3.5 mm</p> <p>3.5 mm</p>	<p>Push Plate Color</p> <p>Blue</p> <p>Gray</p> <p>Black</p>	<p>Operating Life</p> <p>1,000,000 cycles</p> <p>500,000 cycles</p> <p>200,000 cycles</p>
<p>No. 2</p> <p>EVQP4</p> <p>Short travel</p> 	<p>General dimension tolerance : ± 0.2 () dimensions are reference dimensions.</p>  <p>Circuit diagram</p>  <p>* Height from surface of PCB : 1.35 mm</p>			
<p>Part Numbers</p> <p>EVQP40B3M</p> <p>EVQP42B3M</p> <p>EVQP44B3M</p> <p>EVQP46B3M</p>	<p>Operating Force</p> <p>1.0 N</p> <p>1.6 N</p> <p>2.4 N</p> <p>3.5 N</p>	<p>Height</p> <p>3.5 mm</p> <p>3.5 mm</p> <p>3.5 mm</p> <p>3.5 mm</p>	<p>Push Plate Color</p> <p>Natural</p> <p>Natural</p> <p>Natural</p> <p>Natural</p>	<p>Operating Life</p> <p>1,000,000 cycles</p> <p>1,000,000 cycles</p> <p>500,000 cycles</p> <p>200,000 cycles</p>

Design and specifications are each subject to change without notice. Ask factory for the current technical specifications before purchase and/or use.
Should a safety concern arise regarding this product, please be sure to contact us immediately.

■ Recommended Reflow Soldering Conditions



● Embossed Carrier Taping



Taping condition : Lack of products in the middle of taping should be one MAX, but total quantity specified in the specifications should be secured.

Peeling off strength of top tape : It should be within 0.2N to 1.0N at 165 degree in peeling off angle.

Joint of carrier tape : One joint per one reel may exist.

Unit: mm

Part No.	Height	A	B	W	F	E	P_1	P_2	P_0	D_0 Dia.	t_1	t_2
EVQP4	3.5	6.5 ± 0.2	3.9 ± 0.2	12.0 ± 0.3	5.5 ± 0.1	1.75 ± 0.10	8.0 ± 0.1	2.0 ± 0.1	4.0 ± 0.1	$1.5_{-0}^{+0.1}$	0.4 ± 0.1	3.75 ± 0.20

Mouser Electronics

Authorized Distributor

Click to View Pricing, Inventory, Delivery & Lifecycle Information:

Panasonic:

[EVQ-P4203M](#) [EVQ-P4603M](#) [EVQ-P40B3M](#) [EVQ-P42B3M](#) [EVQ-P44B3M](#) [EVQ-P46B3M](#) [EVQ-P4HB3B](#) [EVQ-P4KB3Q](#) [EVQ-P4MB3K](#) [EVQ-P4003M](#) [EVQ-P4403M](#) [EVQ-P4H03B](#) [EVQ-P4K03Q](#) [EVQ-P4M03K](#)