

3 mm Square SMT Trimmer Potentiometers with the rotation stopper (Cermet, Open Frame Type)

Discontinued



Type: **EVM3V**

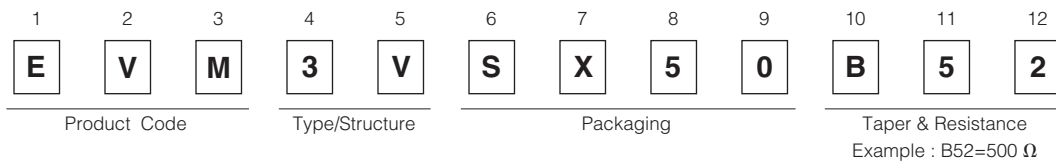
Features

- Rotation stopper featured type
- Automatic adjustment type
- High reliability realized by cermet element
- Excellent mountability
- Conforms to JIS C5260-1:1999
- RoHS compliant

Recommended Applications

- Audio/visual, office, and communication equipment
- General electronic equipment

Explanation of Part Numbers



Specifications

Total Resistance Value	100 Ω to 1 MΩ
Resistance Tolerance	±25 %
Power Rating	0.15 W
Limiting Element Voltage	50 V
Rotation Torque	2 to 10 mN·m
Stopper Strength	15 mN·m min.
Temperature Coefficient of Resistance	±250 × 10 ⁻⁶ /°C

Minimum Quantity/Packing Unit

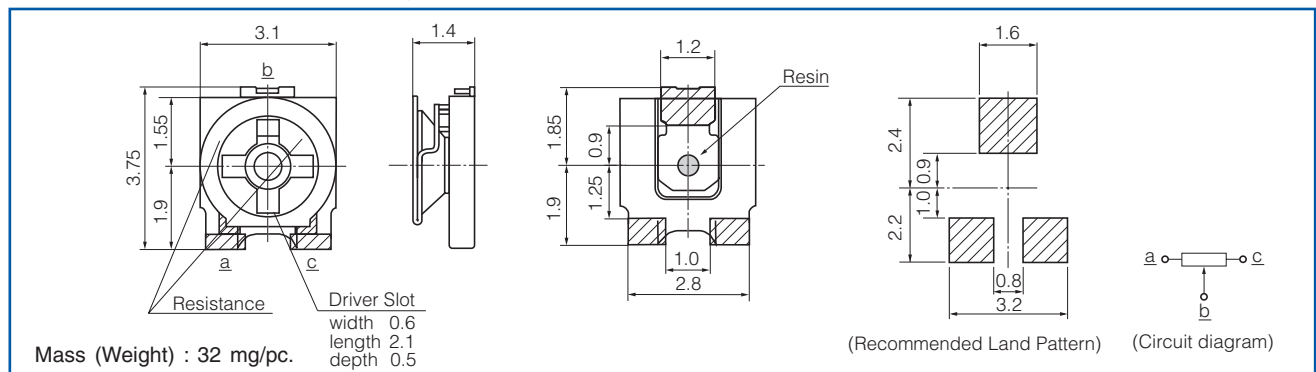
Part Number	Taping		
	Quantity per reel	Packaging quantity	Dia. of reel (mm)
EVM3V	2,000	10,000	φ178

The standard packaging methods for a reel is φ178.

Please contact us, if you would like different packaging methods. (Bulk, Reel of φ330, Reel of φ380)

Dimensions in mm (not to scale)

- 3-terminal, for Automatic Trimming Adjustment



Mouser Electronics

Authorized Distributor

Click to View Pricing, Inventory, Delivery & Lifecycle Information:

Panasonic:

[EVM-3VSX50B16](#) [EVM-3VSX50B24](#) [EVM-3VSX50B53](#) [EVM-3VSX50B54](#) [EVM-3VSX50B52](#) [EVM-3VSX50B14](#)
[EVM-3VSX50B15](#) [EVM-3VSX50B13](#) [EVM-3VSX50B23](#) [EVM-3VSX50B25](#) [EVM-3VSX50B55](#) [EVM-3VSX50B12](#)