

LED Banshee Excel Lite™ Capsule & Piezo Horn product sheet

- EN54 - 3 pending approval CPD, LPC & VdS
- Ultra low current consumption
- 32 user selectable tones
- Choice of 3 volume levels
- Rated IP66 or IP45
- Installation via side & rear cable entry
- Easy push & twist lockable bayonet mounting
- Temperature range from -20 to +70°C
- Simple in & out wiring blocks
- Full range of accessories available

The new Banshee LED Excel Lite™ uses the latest LED technology to create an extremely efficient LED Sounder / Beacon combination, with the advantage of very low current consumption.

The unit is available with either a Rocking Armature Transducer, or the very latest in Piezo Horn Technology, for even lower current consumption.

Manufactured in a Flame Retardant Polymer with a choice of Base and Lens Colours.

The Banshee LED Excel Lite utilises the same easy push and twist bayonet fixing as the Banshee Excel and the original MT Banshee.



Colours available



LED Banshee™ Excel Lite Capsule & Piezo Horn

Specification

Termination: 1 x 8 way terminal block.
Screw terminals for 0.28mm² to 2.5mm² wire conductor

EN54-3 Voltage Range: 24VDC (20VDC to 28VDC)

Operating Voltage Range: 9VDC to 30VDC*

Tone Current Consumption: See Sound output table

Tone Synchronisation: Synchronised start

Flash Rate: 1/Sec

Flash Current Consumption: 12mA @ 12VDC Typ
16mA @ 24VDC Typ

Operating Temperature: (Capsule) -20°C to +55°C

Operating Temperature: (Piezo) -20°C to +70°C

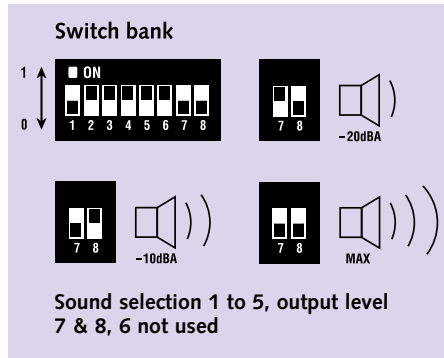
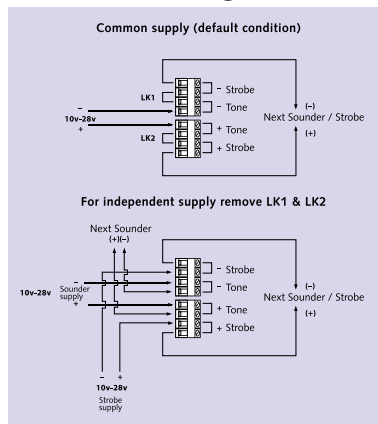
Case Material: ABS

Environment Category: (Capsule) Type A
(Piezo) Type B

IP Rating: * Shallow Base IP45
Deep Base IP66

Units meet minimum requirements of IP21C Shallow Base & IP33C Deepbase in accordance with EN54-3

Connection diagram



Sound Output Table

Capsule

Piezo Horn

No.	Sound Frequencies and Patterns	code 12345	Description	EN54-3 28Vdc see notes	Typ SPL@1m on axis		Typ Current mA		Typ SPL@1m on axis		Typ Current mA	
					12V	24V	12V	24V	12V	24V	12V	24V
1	800Hz to 950Hz swept at 120Hz	00000	Banshee Buzz LF	-	94	100	6	12	90	98	4	11
2	800Hz to 950Hz swept at 9Hz	10000	Banshee Fast Sweep LF	✓	94	100	6	12	90	99	4	11
3	800Hz to 950Hz swept at 3Hz	01000	Banshee Slow Sweep LF	-	94	100	6	12	91	99	4	11
4	Continuous at 900Hz	11000	Banshee Continuous LF	-	94	100	6	12	91	99	5	14
5	830Hz to 970Hz swept at 9Hz	00100	Banshee Fast Sweep LF (New)	-	93	100	6	12	91	99	5	11
6	800Hz to 970Hz swept at 1Hz	10100	Medium Sweep LF	✓	94	100	6	12	92	99	5	11
7	Continuous at 970Hz	01100	Continuous LF	-	94	99	6	13	89	95	5	10
8	Intermittant at 950Hz 1s on, 1s off	11100	Backup Alarm LF	-	93	99	7	14	89	95	5	10
9	Alternating 800Hz/1000Hz at 1Hz	00010	Alternate LF	-	94	100	6	13	87	95	4	9
10	800Hz/1000Hz swept at 0.5s	10010	Medium Sweep LF	-	94	100	6	12	91	99	4	11
11	Alternating tones 800/950Hz at 3Hz	01010	Alternate LF	-	94	101	6	12	89	96	4	10
12	2400Hz to 2900Hz at 120Hz	11010	Banshee buzz HF	-	102	109	16	35	100	108	13	30
13	2400Hz to 2900Hz at 9Hz	00110	Banshee Fast Sweep HF	-	103	110	17	35	101	108	12	29
14	2400Hz to 2900Hz at 3Hz	10110	Banshee Slow Sweep HF	-	103	110	17	35	102	109	14	30
15	Continuous 2900Hz	01110	Banshee Continuous HF	-	103	109	19	39	98	103	8	17
16	2450Hz to 3100Hz swept at 9Hz	11110	Banshee Fast Sweep HF (New)	-	103	109	18	36	101	108	12	27
17	Intermittant at 2900Hz 1sec on, 1sec off	00001	Backup Alarm HF	-	103	109	18	36	98	103	8	17
18	Alternating tones 2400/2900Hz at 3Hz	10001	Alternate HF	-	104	110	16	36	98	105	10	23
19	500Hz rising to 1200Hz over 3.5 sec, silence 0.5sec,	01001	Slow Whoop	✓	95	101	6	12	91	99	5	11
20	1200Hz falling to 500Hz over 1sec, silence 10mS	11001	Din Tone (DK)	✓	93	100	5	10	89	97	4	9
21	554Hz for 100ms and 440Hz for 400mS	00101	French Fire Sounder	✓	90	96	4	7	85	92	3	6
22	420Hz repeating 0.625 sec on, 0.625 sec off	10101	Australian Alert Signal	-	89	94	3	6	81	87	3	5
23	500Hz to 1200Hz sweeping 3.75 secs on, 0.25 secs off	01101	Australian Evacuation Signal	-	95	101	6	12	91	99	5	10
24	950Hz for 0.5s on 0.5s off, for 3 phases, silence for 1.5s	11101	US Temporal Tone LF	-	93	99	5	10	89	95	4	8
25	2900Hz for 0.5s on 0.5s off, for 3 phases, silence for 1.5s	00011	US Temporal Tone HF	-	103	109	13	26	98	103	6	13
26	Intermittant 660Hz 150mS on, 150mS off	10011	Swedish Tone (Fire)	-	90	96	3	6	75	81	3	5
27	Continuous 660Hz	01011	Swedish Tone (All Clear)	-	91	97	5	9	75	84	4	8
28	Intermittant 970Hz 500mS on, 500mS off	11011	ISO8201 LF	-	90	96	5	10	85	91	4	7
29	Intermittant 2900Hz 500mS on, 500mS off	00111	ISO8201 HF	-	103	109	13	27	97	102	7	14
30	Yodel 800Hz/1000Hz, 0.25 sec	10111	BT Banshee (FP1063.1)	-	94	100	6	12	87	96	4	9
31	Continuous 1000Hz	01111	BT Banshee (FP1063.1)	-	88	94	6	14	80	87	4	9
32	Bell Tone	11111	Bell Tone	-	94	99	12	25	87	93	5	10

- Volume control providing up to 20dB attenuation. All Frequency are nominal.
- Column EN54-3 shows tones approved under the Construction Product Directive.
- Polar diagram information is available in the technical manual, available on request.
- Specifications shown with an* have not been verified to be EN54-3 compliant.