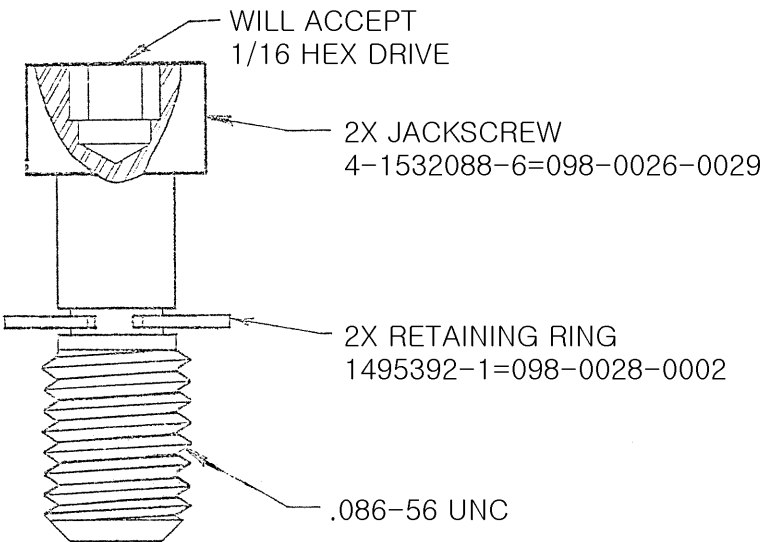


THIS DRAWING IS UNPUBLISHED. RELEASED FOR PUBLICATION
 © COPYRIGHT - By - ALL RIGHTS RESERVED.

LOC		DIST		REVISIONS				
P	LTR	DESCRIPTION			DATE	DWN	APVD	
	A	DRAWING RELEASE			07DEC2011	CEP	CEP	



NOTES:
 1. PARTS TO BE PACKAGED LOOSE AND NOT ASSEMBLED.

THIS DRAWING IS A CONTROLLED DOCUMENT.		DWN CRAIG PREVOST 06DEC2011	STE TE Connectivity	
		CHR CRAIG PREVOST 07DEC2011		
DIMENSIONS: INCHES	TOLERANCES UNLESS OTHERWISE SPECIFIED:	APVD CRAIG PREVOST 07DEC2011	NAME M83513/05-02 HARDWARE KIT (2-56 UNC) JACKSCREW ASSEMBLY, LOW PROFILE, ALLEN HEAD S96-0002-0087 (RM)	
	0 PLC ± - 1 PLC ± - 2 PLC ± - 3 PLC ± - 4 PLC ± - ANGLES ± -	PRODUCT SPEC -	RESTRICTED TO -	
MATERIAL -	FINISH -	APPLICATION SPEC -	SIZE A3	CAGE CODE 98278
		WEIGHT -	DRAWING NO C- 5-1532137-5	SCALE N/A
CUSTOMER DRAWING			SHEET 1 OF 1	REV A