

2213614-1 ✓ ACTIVE

LUMAWISE

TE Internal #: 2213614-1

PCB Mount Hermaphroditic Connector, Horizontal, Board-to-Board, 2 Position, 4 mm [.157 in] Centerline, Gold, Surface Mount, Power, Natural

[View on TE.com >](#)



Connectors > PCB Connectors > PCB Headers & Receptacles



PCB Connector Assembly Type: **PCB Mount Hermaphroditic Connector**

PCB Mount Orientation: **Horizontal**

Connector System: **Board-to-Board**

Number of Positions: **2**

Number of Rows: **1**

Features

Product Type Features

PCB Connector Assembly Type	PCB Mount Hermaphroditic Connector
Connector System	Board-to-Board
Sealable	No

Configuration Features

PCB Mount Orientation	Horizontal
Number of Positions	2
Number of Rows	1
Board-to-Board Configuration	Co-Planar

Body Features

Primary Product Color	Natural
-----------------------	---------

Contact Features

Mating Tab Width	3.05 mm[.12 in]
Mating Tab Thickness	.4 mm[.016 in]
Contact Mating Area Plating Material Finish	Matte



Contact Underplating Material	Nickel
Contact Mating Area Plating Material	Gold
Contact Mating Area Plating Material Thickness	1.52 – 3.04 µm
Contact Type	Hermaphroditic
Contact Current Rating (Max)	6 A

Termination Features

Rectangular Termination Post & Tail Thickness	.4 mm[.016 in]
Rectangular Termination Post & Tail Width	1 mm[.04 in]
Termination Method to PCB	Surface Mount

Mechanical Attachment

Mating Alignment	Without
PCB Mount Retention	Without
PCB Mount Alignment	Without
Connector Mounting Type	Board Mount

Housing Features

Centerline (Pitch)	4 mm[.157 in]
Housing Material	LCP

Usage Conditions

Operating Temperature Range	-40 – 105 °C
-----------------------------	--------------

Operation/Application

Circuit Application	Power
---------------------	-------

Industry Standards

UL Flammability Rating	UL 94V-0
------------------------	----------

Packaging Features

Packaging Method	Tape & Reel
------------------	-------------

Product Compliance

[For compliance documentation, visit the product page on TE.com>](#)

EU RoHS Directive 2011/65/EU	Compliant
EU ELV Directive 2000/53/EC	Compliant
China RoHS 2 Directive MIIT Order No 32, 2016	No Restricted Materials Above Threshold



EU REACH Regulation (EC) No. 1907/2006

Current ECHA Candidate List: JUNE 2024
(241)

Candidate List Declared Against: JUNE
2024 (241)

Does not contain REACH SVHC

Halogen Content

Low Halogen - Br, Cl, F, I < 900 ppm per
homogenous material. Also BFR/CFR/PVC
Free

Solder Process Capability

Reflow solder capable to 260°C

Product Compliance Disclaimer

This information is provided based on reasonable inquiry of our suppliers and represents our current actual knowledge based on the information they provided. This information is subject to change. The part numbers that TE has identified as EU RoHS compliant have a maximum concentration of 0.1% by weight in homogenous materials for lead, hexavalent chromium, mercury, PBB, PBDE, DBP, BBP, DEHP, DIBP, and 0.01% for cadmium, or qualify for an exemption to these limits as defined in the Annexes of Directive 2011/65/EU (RoHS2). Finished electrical and electronic equipment products will be CE marked as required by Directive 2011/65/EU. Components may not be CE marked. Additionally, the part numbers that TE has identified as EU ELV compliant have a maximum concentration of 0.1% by weight in homogenous materials for lead, hexavalent chromium, and mercury, and 0.01% for cadmium, or qualify for an exemption to these limits as defined in the Annexes of Directive 2000/53/EC (ELV). Regarding the REACH Regulation, the information TE provides on SVHC in articles for this part number is based on the latest European Chemicals Agency (ECHA) 'Guidance on requirements for substances in articles' posted at this URL: <https://echa.europa.eu/guidance-documents/guidance-on-reach>

Compatible Parts

TE Part # 2213614-1
HERM BLADE & REC,2 POS,LATCH,
SELECT GOLD

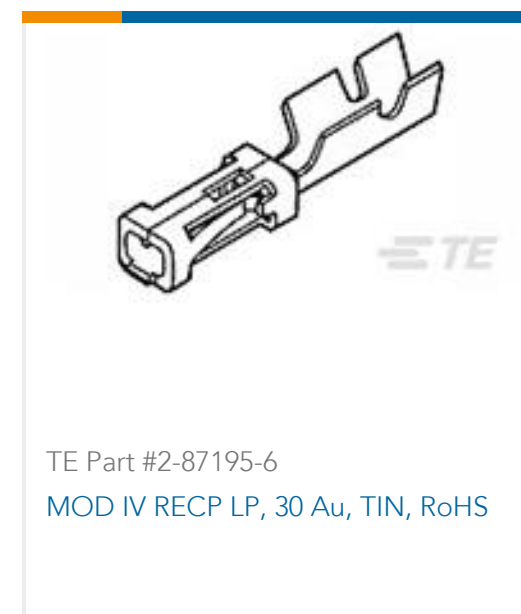
Customers Also Bought

TE Part #5-103635-5
06 MTE HDR SRRR LTCH.100CL LF

TE Part #2-520407-2
ULTRA-FAST 250 ASY REC 22-18 TPBR

TE Part #5-103635-1
02 MTE HDR SRRR LTCH.100CL LF

TE Part #5-103635-2
03 MTE HDR SRRR LTCH.100CL LF



Documents

Product Drawings

[HERM BLADE & REC,2 POS,LATCH,SELECT GOLD](#)

English

CAD Files

[3D PDF](#)

3D

Customer View Model

[ENG_CVM_CVM_2213614-1_A.2d_dxf.zip](#)

English

Customer View Model

[ENG_CVM_CVM_2213614-1_A.3d_igs.zip](#)

English

Customer View Model

[ENG_CVM_CVM_2213614-1_A.3d_stp.zip](#)

English

By downloading the CAD file I accept and agree to the [Terms and Conditions](#) of use.

Datasheets & Catalog Pages

[Hermaphroditic Connectors with Select Gold Plating Flyer](#)

[Hermaphroditic Connectors with Select Gold Plating Flyer](#)

English

Product Specifications

[Application Specification](#)

English

Agency Approvals

2213614-1

PCB Mount Hermaphroditic Connector, Horizontal, Board-to-Board, 2 Position, 4 mm
[.157 in] Centerline, Gold, Surface Mount, Power, Natural



[UL Report](#)

English