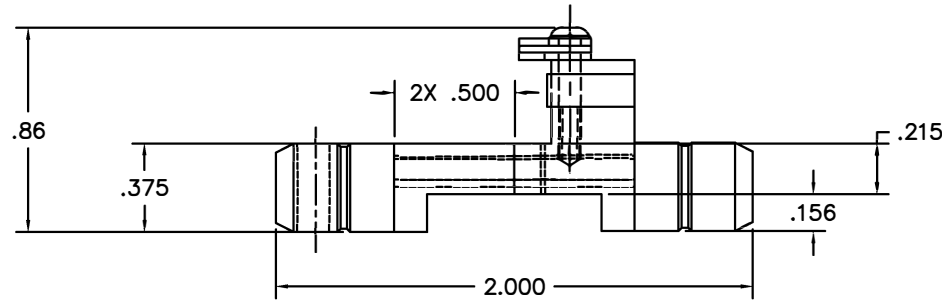
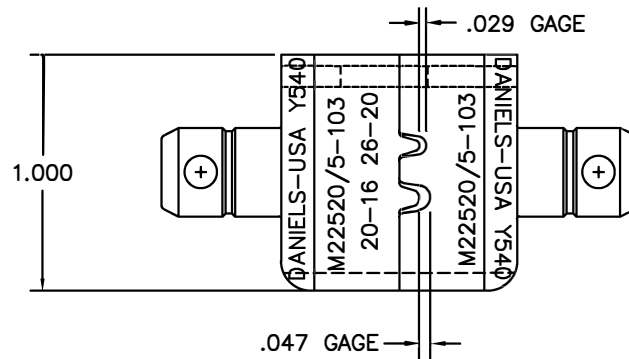


REVISIONS				
REV. SYM.	E.C.O. NUMBER	DESCRIPTION	BY DATE	APP'D DATE
1		ORIGINAL RELEASE	JWJ 11/13/99	RRR 11/13/99
2		ADDED GAGE INFO	ENF 7/16/13	RRR 7/16/13



USE G266 TO VERIFY GAGE DIMENSION



USE G265 TO VERIFY GAGE DIMENSION

UNCONTROLLED DOCUMENT
WILL NOT BE UPDATED

RESTRICTED & CONFIDENTIAL		MATERIAL		ITEM	PART NO.	QTY.	DESCRIPTION/REMARKS
CONFIDENTIAL PROPERTY OF DANIELS MANUFACTURING CORP. NOT TO BE DISCLOSED TO OTHERS, REPRODUCED OR USED FOR ANY OTHER PURPOSE, EXCEPT AS AUTHORIZED IN WRITING BY DANIELS MANUFACTURING. MUST BE RETURNED TO DANIELS MANUFACTURING CORP. ON COMPLETION OF ORDER OR OTHER PURPOSE FOR WHICH LENT.		HEAT TREAT		DRN:	J. JOYCE	DATE	11/13/99
				CHK'D:	RRR	DATE	11/13/99
				APP'D:		DATE	
DO NOT SCALE DRAWING		FINISH		NOTE:			
				THIS DRAWING IS AN OUTLINE DRAWING OF THE RESPECTIVE DMG PART NUMBER INDICATED. ACTUAL DMG PART NUMBER IS DRAWING NUMBER WITHOUT THE "-ENV" SUFFIX.			
				WHERE USED:	SIZE	SCALE	CAD P/N
				POSTING	Y540-ENV	1	1
				DWG. NO.	Y540-ENV	REV.	2

DMC DANIELS MANUFACTURING CORP.
ORLANDO, FLORIDA
CAGE 11851

TITLE: DIE SET (M22520/5-103) ENVELOPE DRAWING

Mouser Electronics

Authorized Distributor

Click to View Pricing, Inventory, Delivery & Lifecycle Information:

[Daniels Manufacturing:](#)

[Y540](#)