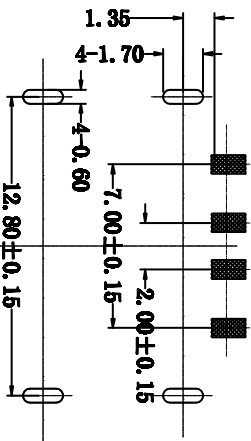
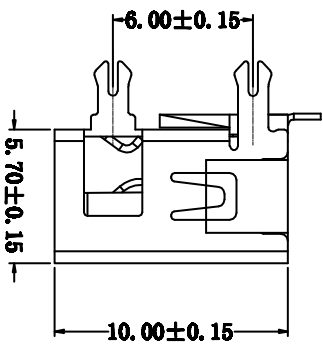
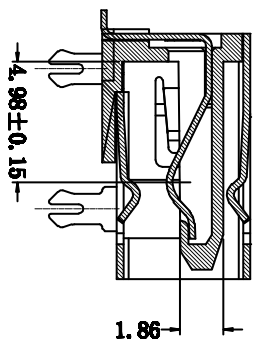
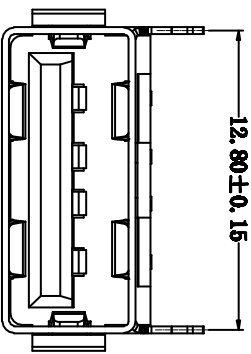
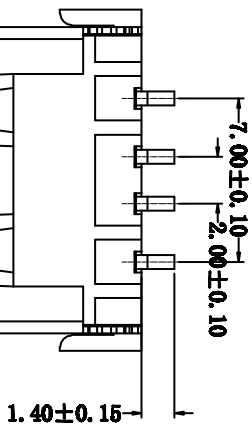
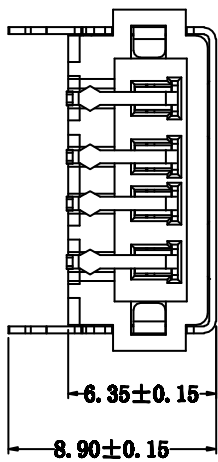


Kinghelm®



RECOMMENDED PCB LAYOUT

REV.	ECN NO	LTR	DESCRIPTION	REVISER	DATE

规格说明 (Specifications):

- 1.0 电气特性 (Electrical):
 - 1.1 额定电流 (Current Rating):
 - 1.5A/Contact Terminal
 - 1.2 额定电压 (Voltage Rating):
 - 30V DC
 - 1.3 接触阻抗 (Contact Resistance):
 - 30 Milliohms Max
 - 1.4 耐电压 (Dielectric Withstanding Voltage):
 - 500 V AC AT Sea Level
 - 1.5 绝缘阻抗 (Insulation Resistance):
 - 1000MEGA Ohms Min
- 2.0 物理性能 (Mechanical):
 - 2.1 插拔力 (Connector Mate And Unmate Force):
 - Mating Force: 3.57kgf (Max)
 - Unmating Force: 1.02kgf (Min)
 - 2.2 端子保持力 (Terminal Retention):
 1. 2kgf (Min)
 - 3.0 原材料 (Material):
 - 3.1 塑胶 (Housing):
 - Hing Temperature Thermoplastics
 - UL 94V-0 FR/IGP White/Black
 - 3.2 端子 (Contact):
 - Copper Alloy C2680 T=0.20MM
 - 3.3 外壳 (Shell):
 - Copper/Retro Alloy C2680/SFCC T=0.30MM
 - 4.0 电镀 (Finish):
 - 4.1 端子 (Contact):
 - Plated Gold in Mating Area
 - Sn ≥ 100U" Ni ≥ 40U" Au=1U" / 3U" / 5U" / ...
 - 4.2 外壳 (Shell):
 - Nickel Plating
 - 12H (Cu ≥ 80U" Ni ≥ 60U")
 - 24H (Cu ≥ 100U" Ni ≥ 80U")
 - 45H (Cu ≥ 120U" Ni ≥ 100U")
- 5.0 Dimension marked 唇 must be controlled in QIP.

产品图

PRODUCT CHART DWG

公差一览表
TOLERANCES UNLESS OTHERWISE

公差	范围	公差	范围
X.	±0.25	X.	±5.°
.X	±0.20	.X	±2.°
.XX	±0.15	.XX	±1.°
.XXX	±0.10	.XXX	±0.5°

深圳市金航标电子有限公司

WWW.BDS666.COM

KH-AF90HSMT-10-H6.3

0755-83044319

单位	MM	制图	制图料号	产品名称	版本
UNITS	MM	DRAWING	PRODUCT PART NO.	USB A/F 四脚贴片式连接器 (规格: 0.0 P=0.8)	
比例	1:1	审核	PRODUCT NO.		
SCALE		核准	角法		
日期	2017.03.10	APPRO			
DATE					