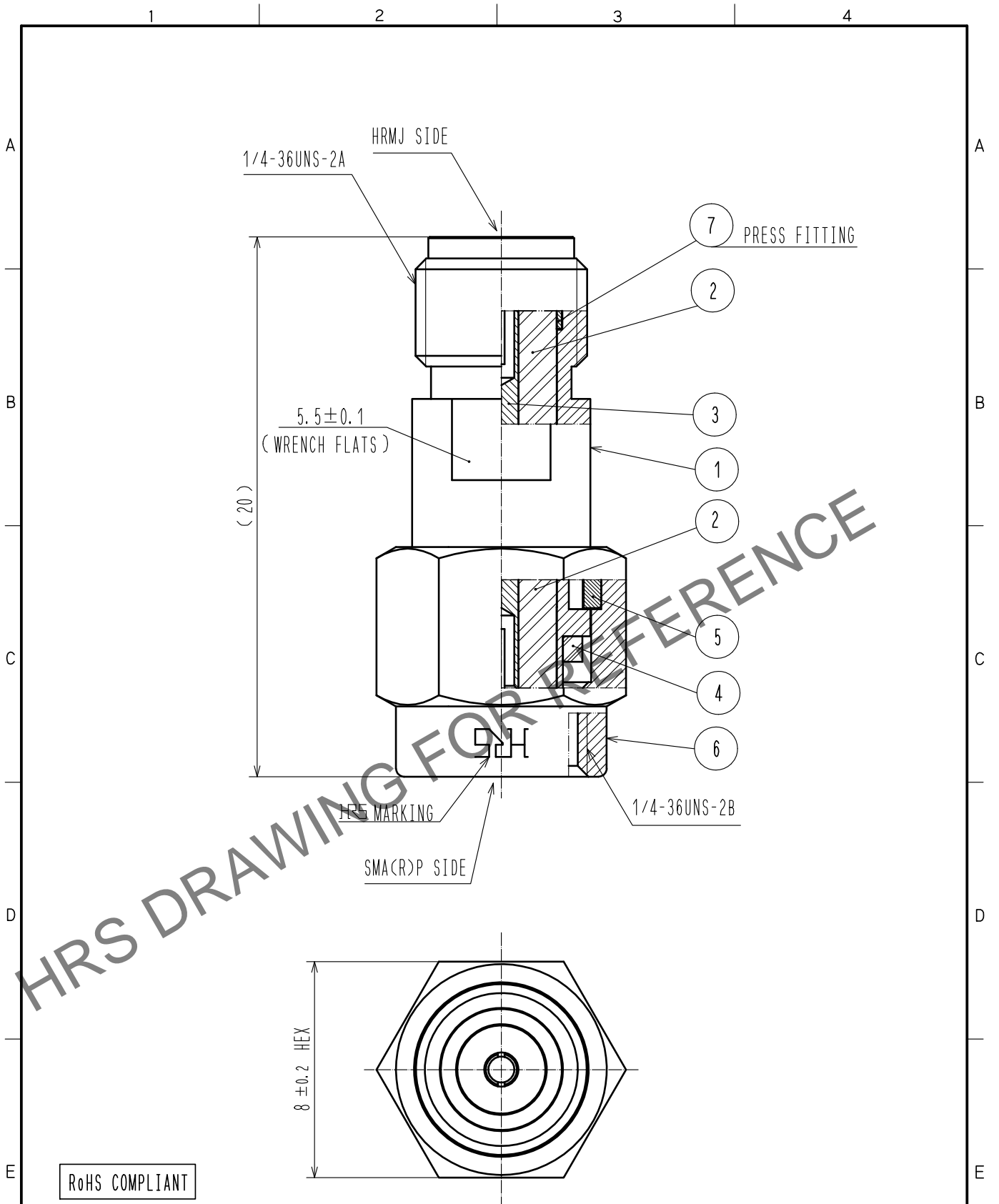


Jul.1.2024 Copyright 2024 HIROSE ELECTRIC CO., LTD. All Rights Reserved.
 In case of consideration for using Automotive equipment / device which demand high reliability, kindly contact our sales window correspondents.



NO.	MATERIAL	FINISH	REMARKS	NO.	MATERIAL	FINISH	REMARKS
4	SILICON RUBBER			7	STAINLESS STEEL	PASSIVATED	
3	BERYLLIUM COPPER	GOLD PLATING		6	STAINLESS STEEL	PASSIVATED	
2	PTFE			5	BERYLLIUM COPPER	NICKEL PLATING	
1	STAINLESS STEEL	PASSIVATED					

UNITS	SCALE	COUNT	DESCRIPTION OF REVISIONS	DESIGNED	CHECKED	DATE
mm	5 : 1	△				

HIROSE ELECTRIC CO., LTD.	APPROVED	·KY. SHIMIZU	16.07.08	DRAWING NO.	EDC-366797-00-00
	CHECKED	·KY. SHIMIZU	16.07.08	PART NO.	HRMJ-SMA(R)P
	DESIGNED	·MH. OGUSU	16.07.08	CODE NO.	CL323-0035-0-00
	DRAWN	·MH. OGUSU	16.07.08		