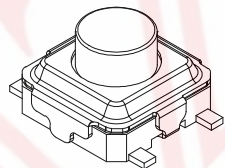
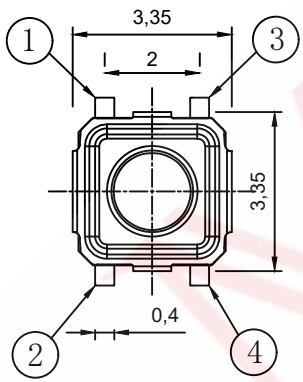
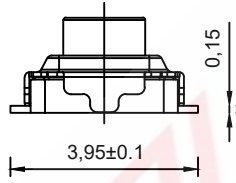
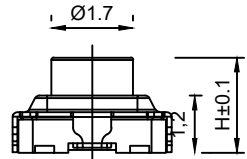
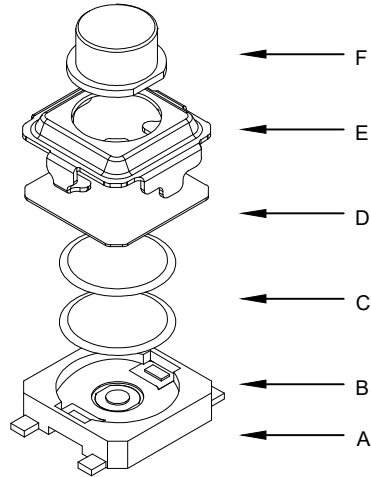


1 SAMZO 2 REAC/ROHS

REV	ECN NO	DESCRIPTION	DESIGN	APPROVAL	DATE
A1	NEW	Replace frame			2018.06.12

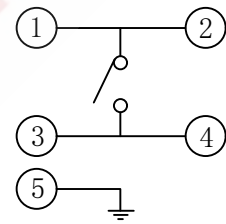


主要技术参数、性能
The Main Thchnology Performance

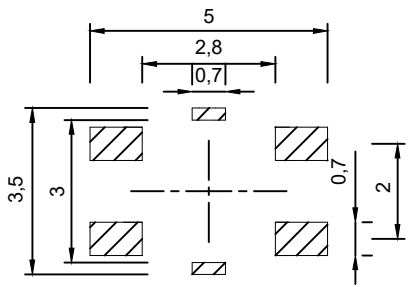
额定电流、电压 Rate voltage, current	50mA DC12V
接触电阻 Contact resistance	≤100mΩ
按力 Operating force	±50gf
行程 Travel	0.20±0.10mm
绝缘电阻 Insulated resistance	≥100MΩ
介电强度 Dielectric strength	≥250VAC/1min

W 4 B * * * * 1 0
A B C D E F G H

- A. 系列: W-3*3mm系列
- B. 贴装方式: 4-立式贴片
- C. 引脚规格: B-4P
- D. 操作高度: 15-1.5/17-1.7/25-2.5mm (1.5-2.5)
- E: 操作力度: 1-180gf/2-260gf
- F: 操作寿命: 1-100,000次/2-200,000次/3-500,000次
- G: 固定方式: 1-不带住
- H: 物料编码: 0-常规



电路图
CIRCUIT DIAGRAM



PCB. 焊接图
PCB. WELDING DRAWING

ITEM	DESCRIPTION	MATERIAL	QTY	FINISH/COLOR					
F	按钮	LCP	1	黑色					
E	盖板	不锈钢	1	清洗	GENERAL TOLERANCE				
D	防尘膜	聚酰亚胺	1	橙黄色	≥0~2<	±0.15			
C	弹片	不锈钢	1	镀银	DESIGN	WANGUIFA	2018.06.12	≥2~5<	±0.25
B	本件	LCP	1	黑色	CHECKED	ZHENGUILAN	2018.06.12	≥0~2<	±0.15
A	卡件	磷铜	1	镀银	APPROVED	LILIANJIANG	2018.06.14	≥5	±0.35

FIRST VIEW

SCALE 1:1 UNIT mm

SAMZO COMPONENTS
Electronic switch and connector manufacturer

The copyright belongs to samzo parts [China] Co., Ltd. please use the material after samzo parts agree to authorize. The final right of interpretation belongs to samzo parts. WWW.KKK-JP.COM

TITLE::	3.35*3.35*H mm 4P-WT
DWG NO:	W4B15-P25
PART NO:	W4B153170
MODEL NO:	W4B-**-**-10
NAME:	TACT SWITCH