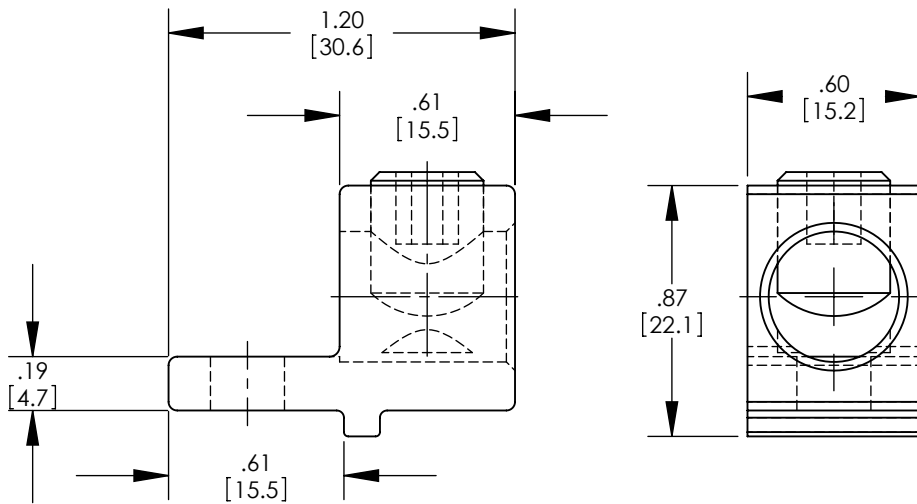
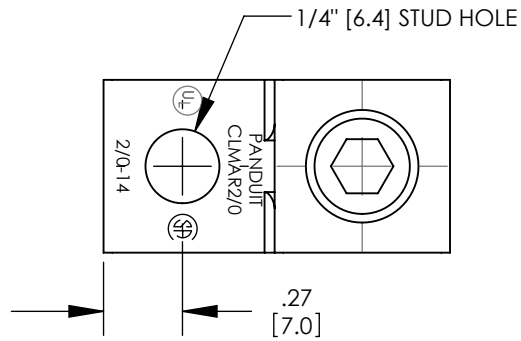


THIS COPY IS PROVIDED ON A RESTRICTED BASIS AND IS NOT TO BE USED IN ANY WAY DETRIMENTAL TO THE INTERESTS OF PANDUIT CORP.

NOTES:

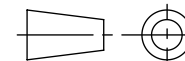
1. MATERIAL: BODY - COPPER, TIN PLATED
SCREW - STEEL, ZINC PLATED
2. DIMENSIONS IN BRACKETS ARE MILLIMETERS
3. TOLERANCES ARE ± .02 [.5] UNLESS OTHERWISE NOTED
4. SLIGHT COPPER EXPOSURE IS PERMITTED WITHIN THE NON-CRITICAL INTERIOR THREAD AREA BUT NOT ON EXTERNAL SURFACE OR FUNCTIONAL TERMINATION AREAS.
5. SEE PACKAGE LABEL FOR TIGHTENING TORQUE INFORMATION
6. PKG QTY: -Q = 25
7. COMPATIBLE WITH PANDUIT UNIVERSAL GROUND BAR PART SERIES UGB2/0.



PART NUMBER	WIRE RANGE COPPER	WIRE STRIP LENGTH	HEX KEY
CLMAR2/0-14-Q	14 AWG - 2/0 AWG	.61 [15.5]	3/16"

REV	DATE	BY	CHK	APR	DESCRIPTION	ECN
02	6/19	JHNU	JHNU	RGB	ADDED NOTE 4	10J017CF-JC
01	2/13	JHNU	JHNU	RGB	REVISED TITLE BLOCK	10J017CF-JC
00	4/12	JHNU	JHNU	RGB	DRAWING RELEASED	10J017CF-JC

TITLE COPPER MECHANICAL ANTI-ROTATIONAL CONNECTOR (CLMAR2/0-14-Q) CUSTOMER DRAWING			
ITEM REVISION NAME 10J017CF/02		PANDUIT	
DATASET FILE NAME 10J017CF-JC/02.SLDDRW			
UNLESS OTHERWISE SPECIFIED, DIMENSIONAL TOLERANCES ARE: IN [mm]		MATERIAL SEE NOTES	
.X ± .XXX ± .XX ± .02 [.5] ANGLES ±		DRAWING NUMBER 10J017CF-JC	
DRAWN BY JHNU		DATE 4/12	SCALE NONE
CHK RGB		SHEET 1 OF 1	
ECN		SIZE A	



THIRD ANGLE
PROJECTION