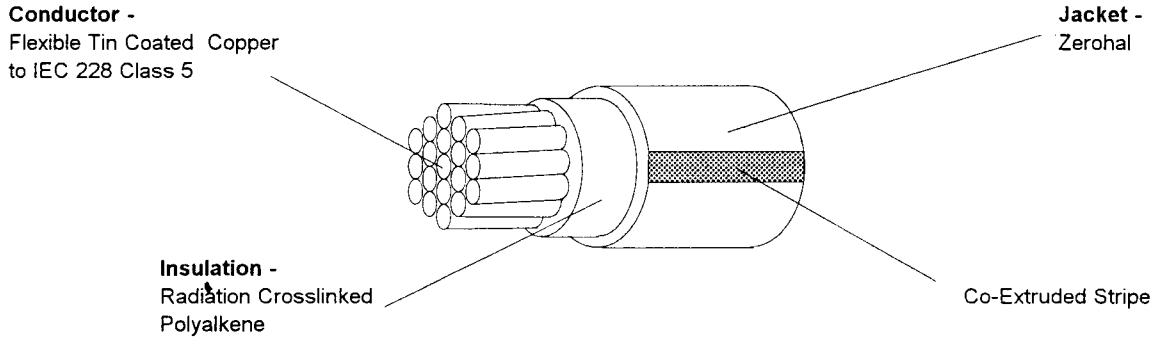


600/1000 VOLT POWER CABLE

The complete requirements for procuring the wire described herein shall consist of this document and the issue in effect of the referenced specifications. This document takes precedence over documents referenced herein.



Part Number	Conductor Stranding NoxDia (mm)	Conduct. Dia. (mm)		FINISHED WIRE							Max Weight (kg/km)
				Maximum Resistance @20 deg C (ohms/km)	Insulation		Jacket				
					Nom Thickness (mm)	Nom Diameter (mm)	Nom Thickness (mm)	Outside Diameter (mm)			
Min	Max	Min	Nom	Max							
ZHIS15-1.5-**	30/0.25	1.43	1.55	13.2	0.3	2.09	1	3.89	4.09	4.29	33.5
ZHIS15-2.5-**	50/0.25	1.81	1.97	7.89	0.4	2.69	1	4.46	4.69	4.92	48.8
ZHIS15-4.0-**	56/0.30	2.42	2.57	4.89	0.4	3.29	1.1	5.22	5.49	5.76	72.1
ZHIS15-6.0-**	84/0.30	2.87	3.05	3.23	0.5	3.96	1.1	5.85	6.16	6.47	99.8
ZHIS15-10.0-**	84/0.40	4.40	4.80	1.85	0.6	5.8	1.2	7.79	8.20	8.61	159
ZHIS15-16.0-**	126/0.40	5.45	5.95	1.18	0.6	6.9	1.2	8.84	9.30	9.77	223
ZHIS15-25.0-**	196/0.40	6.90	7.50	0.757	0.6	8.3	1.3	10.36	10.90	11.45	331
ZHIS15-35.0-**	280/0.40	8.05	8.75	0.538	0.6	9.7	1.3	11.69	12.30	12.92	448

SPECIAL REQUIREMENTS

Outer Jacket Tensile Strength = 8 M Pa min
Outer Jacket Elongation = 150 % min

All products to carry three co-extruded longitudinal stripes. 30% minimum overall coverage.

The *** in the part number represents the colour code designator in accordance with Mil Std 681.

eg. ZHIS-15-2.5- 45 yellow outer jacket with green stripe.

Primary insulation tested in accordance with Raychem Specification WCD 51/1601. Jacket and completed cable to be tested in accordance with the requirements of Raychem Specification WCD 2015.

Routine Spark Test to BS 6231

Conductor Size (mm ²)	Voltage (kV)
1.5-16.0	6
25.0-35.0	10

DESIGN	PROD. MAN.	MANUFACTURE
<i>[Signature]</i> 12.7.97	<i>[Signature]</i> 13.5.97	<i>[Signature]</i> 13-5-97

Amendment 1 :- Change of Description from ZHI-15 to ZHI15 :- CR 1255 Refers.

