



SHUR-PLUG 180

TE Internal #: 42865-3

Shur-Plug, Mating Pin Diameter 4.57 mm [.18 in], 14 – 10 AWG Wire Size, 2 – 6 mm² Wire Size, SHUR-PLUG 180, Crimp Wire Pins, Tabs & Ferrules

[View on TE.com >](#)

Terminals & Splices > Crimp Wire Pins, Tabs & Ferrules



Crimp Wire Terminal Type: **Shur-Plug**

Mating Pin Diameter: **4.57 mm [.18 in]**

Wire Size: **9600 CMA**

Features

Product Type Features

Compatible With Discrete Wire Type	Solid, Stranded
------------------------------------	-----------------

Configuration Features

Compatible With Wire & Cable Type	Discrete Wire
-----------------------------------	---------------

Contact Features

Crimp Wire Terminal Type	Shur-Plug
Mating Pin Diameter	4.57 mm [.18 in]
Barrel Type	Open
Terminal Plating Material	Tin
Terminal Orientation	Straight

Mechanical Attachment

Wire Insulation Support	Without
-------------------------	---------

Dimensions

Wire Size	9600 CMA
Barrel Inside Diameter	2.24 mm [.088 in]
Terminal Material Thickness	.45 mm [.018 in]



Overall Product Length 21.97 mm[.865 in]

Usage Conditions

Insulation Option	Uninsulated
Operating Temperature Range	-40 – 105 °C[-40 – 221 °F]

Packaging Features

Packaging Quantity	5000
Packaging Method	Reel

Product Compliance

[For compliance documentation, visit the product page on TE.com>](#)

EU RoHS Directive 2011/65/EU	Compliant
EU ELV Directive 2000/53/EC	Compliant
China RoHS 2 Directive MIIT Order No 32, 2016	No Restricted Materials Above Threshold
EU REACH Regulation (EC) No. 1907/2006	Current ECHA Candidate List: JUNE 2024 (241) Candidate List Declared Against: JUNE 2024 (241) Does not contain REACH SVHC
Halogen Content	Low Halogen - Br, Cl, F, I < 900 ppm per homogenous material. Also BFR/CFR/PVC Free
Solder Process Capability	Not applicable for solder process capability

Product Compliance Disclaimer

This information is provided based on reasonable inquiry of our suppliers and represents our current actual knowledge based on the information they provided. This information is subject to change. The part numbers that TE has identified as EU RoHS compliant have a maximum concentration of 0.1% by weight in homogenous materials for lead, hexavalent chromium, mercury, PBB, PBDE, DBP, BBP, DEHP, DIBP, and 0.01% for cadmium, or qualify for an exemption to these limits as defined in the Annexes of Directive 2011/65/EU (RoHS2). Finished electrical and electronic equipment products will be CE marked as required by Directive 2011/65/EU. Components may not be CE marked. Additionally, the part numbers that TE has identified as EU ELV compliant have a maximum concentration of 0.1% by weight in homogenous materials for lead, hexavalent chromium, and mercury, and 0.01% for cadmium, or qualify for an exemption to these limits as defined in the Annexes of Directive 2000/53/EC (ELV). Regarding the REACH Regulation, the information TE provides on SVHC in articles for this part number is based on the latest European Chemicals Agency (ECHA) 'Guidance on requirements for substances in articles' posted at this URL: <https://echa.europa.eu/guidance-documents/guidance-on-reach>

Compatible Parts




TE Part # 1742039-1
SHUR PLUG .156 DIA REC 10-14 AWG PTPBR



TE Part # 2836450-1
OCEAN_2.0_APPLICATOR-S-130F-SSM



TE Part # 2836450-2
OCEAN_2.0_APPLICATOR-S-130FA-SSA




TE Part # 444154-2
SHUR PLUG 180 0.5-1.0MM2 0.45X27.6 PTPBR



KIT
REPRESENTATION ONLY

TE Part # 7-2836450-7
OCEAN_2.0_SPARE_PART_KIT-130F


Also in the Series | **SHUR-PLUG 180**



Crimp Terminal Housings(6)

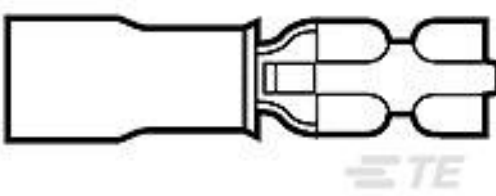


Crimp Wire Pins, Tabs & Ferrules(37)



Special Purpose Terminals(1)

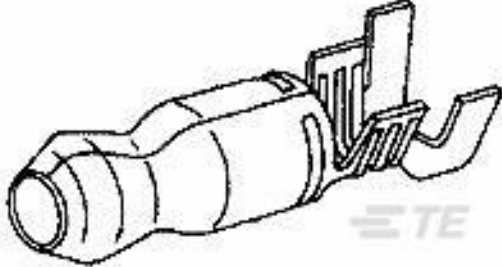
Customers Also Bought



TE Part #640921-1
RECEPT,PIDG FASTON 22-18 110



TE Part #60798-4
SHUR PLUG 180 RECEPTACLE 18-14 AWG TPBR



TE Part #60793-1
SHUR PLUG .180 18-14 AWG TPBR



TE Part #42868-2
SHUR PLUG 180 RECEPTACLE 14-10 AWG TPBR



TE Part #60798-2
SHUR PLUG 180 RECEPTACLE 18-14 AWG BR



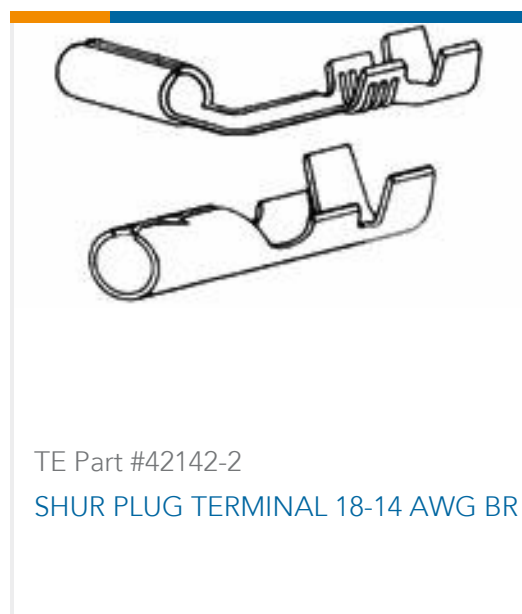
TE Part #62754-1
SPLICE 14000-30000 .030 BR



TE Part #1217070-1
SHUR PLUG 180 RECEPTACLE 12-8 AWG TPBR



TE Part #61802-1
SHUR PLUG .156 18-14 AWG PTPBR



Documents

Product Drawings

[SHUR PLUG 180 REVERSE REEL 14-10AWG TPBR](#)

English

CAD Files

[3D PDF](#)

3D

Customer View Model

[ENG_CVM_CVM_42865-3_AG.2d_dxf.zip](#)

English

Customer View Model

[ENG_CVM_CVM_42865-3_AG.3d_igs.zip](#)

English

Customer View Model

[ENG_CVM_CVM_42865-3_AG.3d_stp.zip](#)

English

By downloading the CAD file I accept and agree to the [Terms and Conditions](#) of use.

Product Specifications

[Application Specification](#)

English