

AKZ3191/..KD-2.54-ORANGE

2- to n-poles



Technical Data

Wire Sizes

Solid min	0.08 mm ²
solid max	1.0 mm ²
Stranded (flexible) min	0.14 mm ²
Stranded (flexible) max	0.5 mm ²
Stranded with Ferrule min	0.14 mm ²
Stranded with Ferrule max	0.14 mm ²
Dimensions	
Stripped Length	5.0 mm
PCB Hole Diameter	1.1 mm
Materials	
Solder Tag	Copper Alloy
Tension Spring	Stainless Steel

Insulating Material

Material	PA 6.6
Flammability Class	UL 94 V-0

Temperatures

Operating Temperature	-30 °C - 105 °C
-----------------------	-----------------

Wave Soldering Process

Soldering Temperature, recommended	265 °C
------------------------------------	--------

Peak Soldering Time, recommended	3-4 s
----------------------------------	-------

Reflow Process

Soldering Temperature, recommended	-
------------------------------------	---

Peak Soldering Time, recommended	-
----------------------------------	---

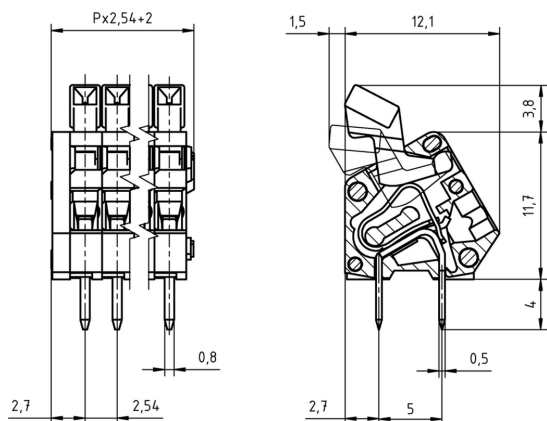
Order Data (Spacing mm)

Poles	Width (mm)	Article Designation	Article Number	PU
2	7.08	AKZ3191/2KD-2.54-ORANGE	53191020321F	200
3	9.62	AKZ3191/3KD-2.54-ORANGE	53191030321F	200
4	12.16	AKZ3191/4KD-2.54-ORANGE	53191040321F	200
5	14.70	AKZ3191/5KD-2.54-ORANGE	53191050321E	100
6	17.24	AKZ3191/6KD-2.54-ORANGE	53191060321E	100
7	19.78	AKZ3191/7KD-2.54-ORANGE	53191070321E	100
8	22.32	AKZ3191/8KD-2.54-ORANGE	53191080321D	50
9	24.86	AKZ3191/9KD-2.54-ORANGE	53191090321D	50
10	27.40	AKZ3191/10KD-2.54-ORANGE	53191100321D	50
11	29.94	AKZ3191/11KD-2.54-ORANGE	53191110321D	50
12	32.48	AKZ3191/12KD-2.54-ORANGE	53191120321D	50

Colours

ORANGE	RAL2011
SLADE GREY	RAL7032

Colours according to RAL, there may be variations on colour due to production conditions. Special colours on request.



Ratings



Usegroup	B	C	D		
Rated Voltage	150 V	-	-	130 V	
Rated Current	4 A	-	-	9 A	
Rated Wire Size				min	max
	solid	AWG 28-20	-	0.2 mm ²	0.5 mm ²
	stranded	-	-		
Test Voltage	1.3 kV	-	-	1.25 kV	