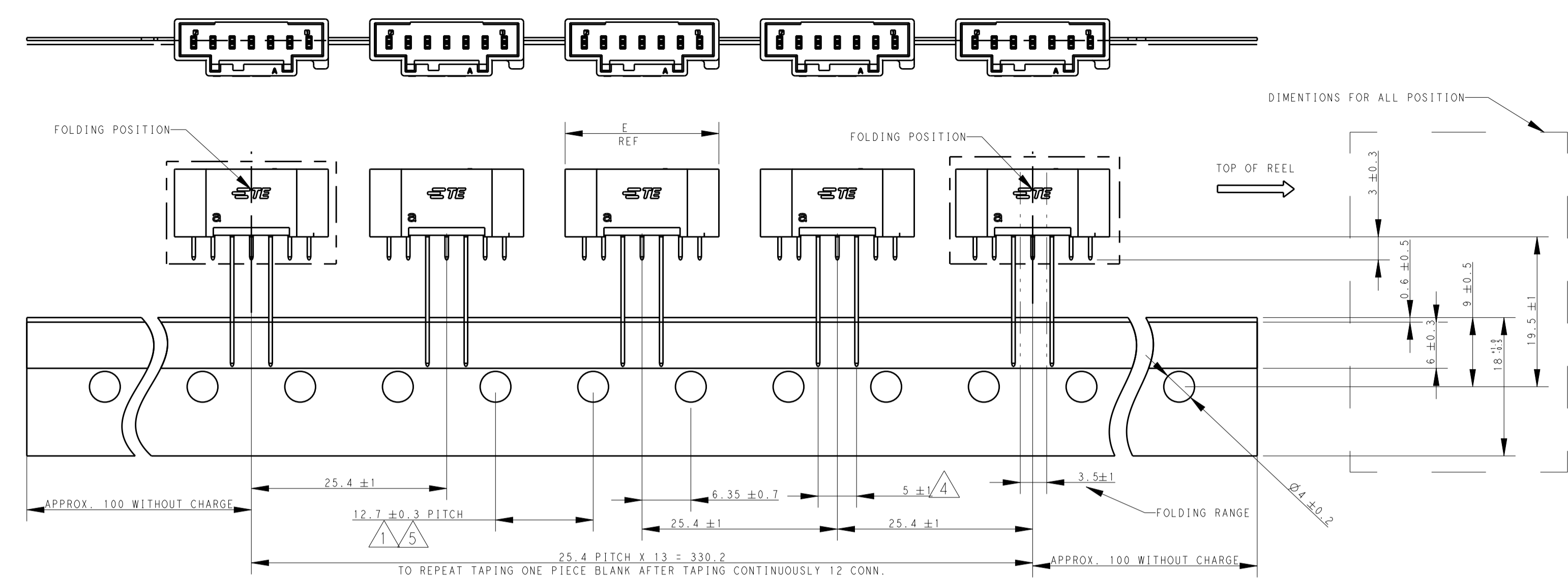
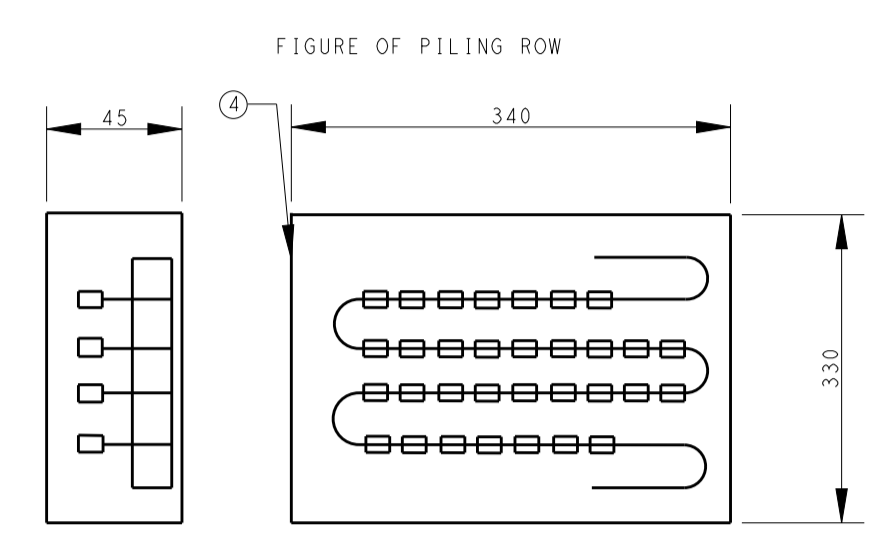


REVISIONS				
P.	LTM	DESCRIPTION	DATE	DMN APVD
A		INITIAL RELEASE	08JUNE2016	A.O D. Z
A1		ECR-16-017015	10DEC2016	A.O D. Z

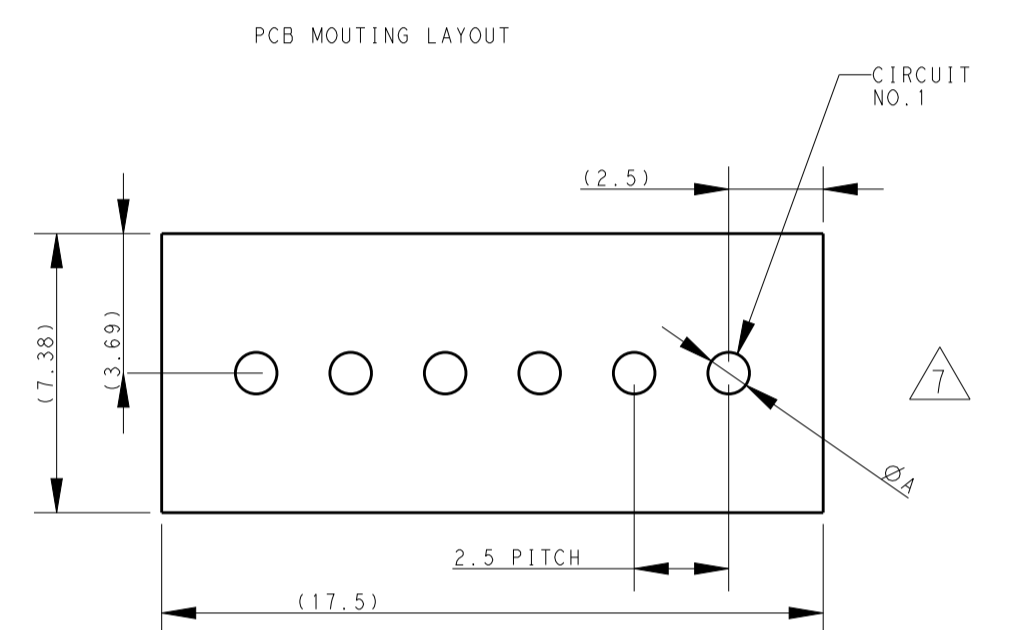
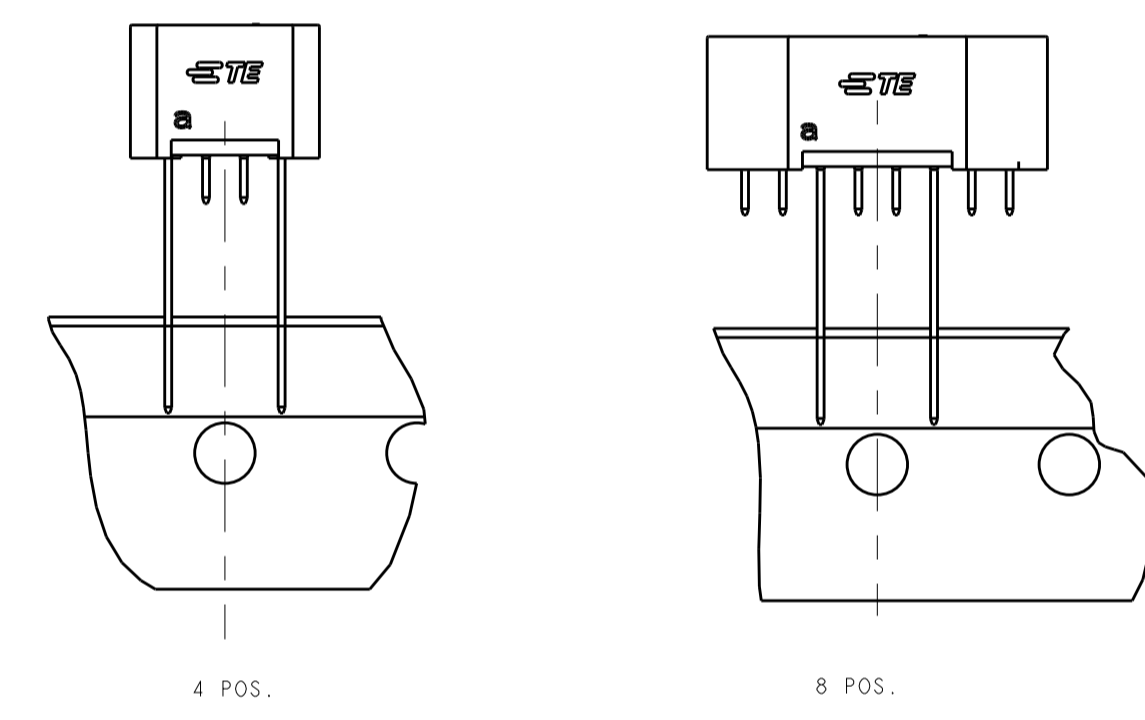
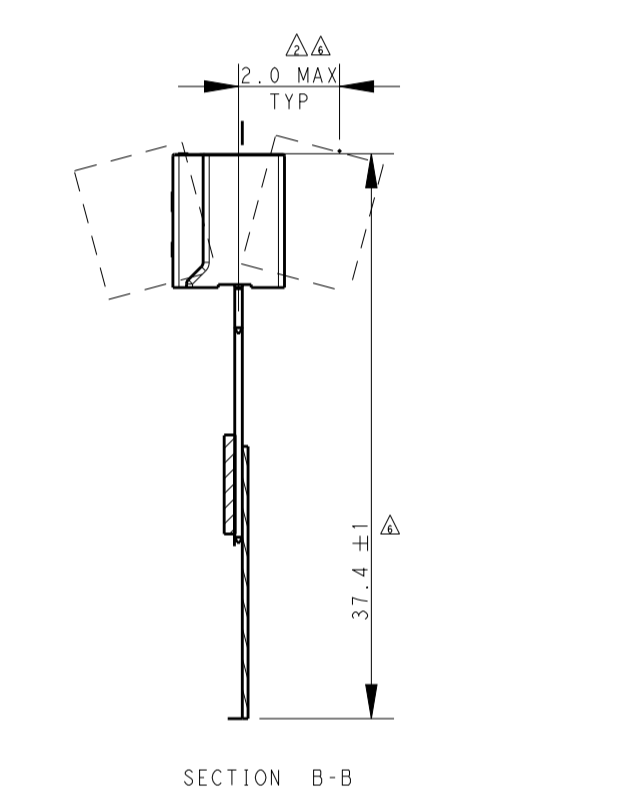
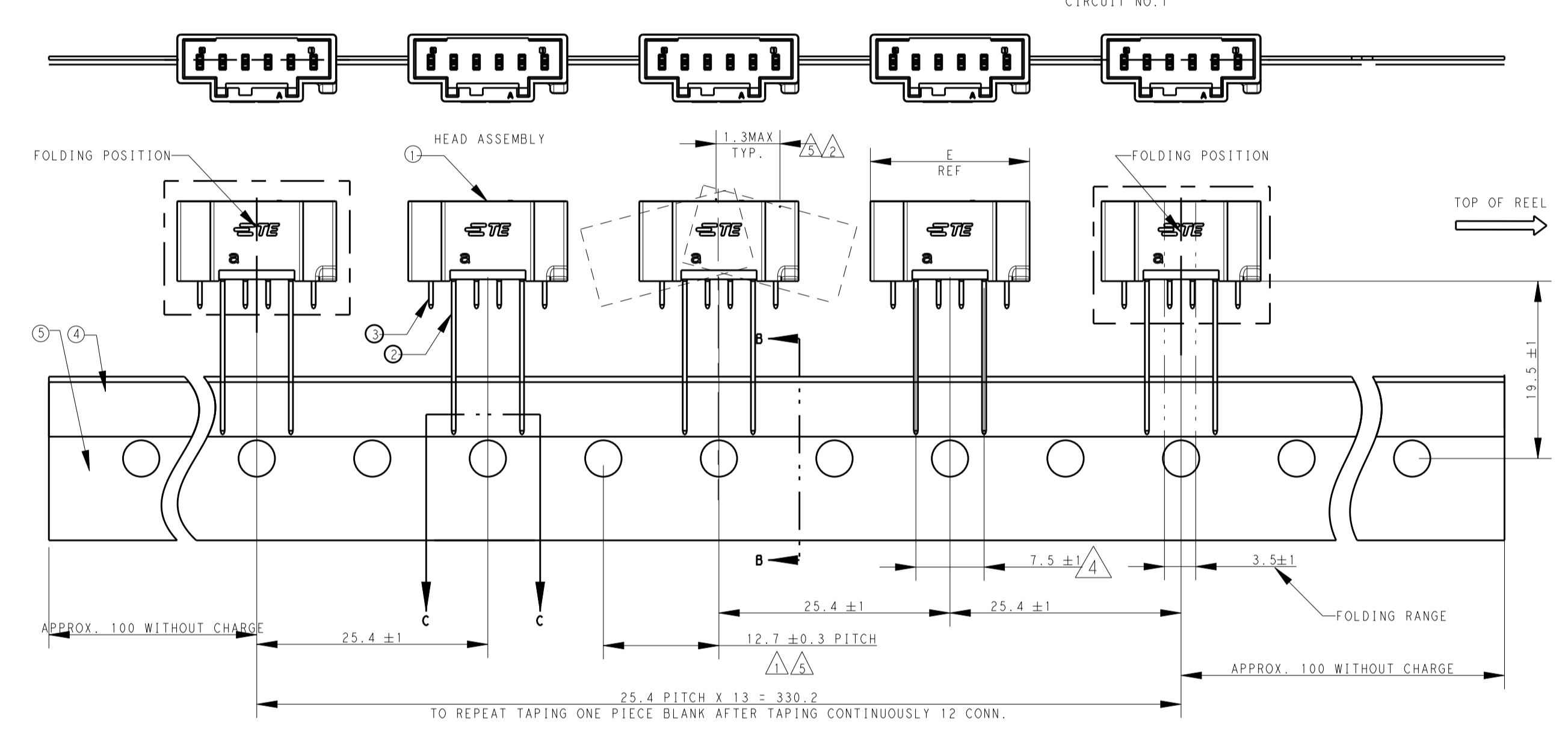
TAPING STYLE B: 5,7POS



NOTE:
 1. ACCUMULATING TOLERANCE: ±1.0mm/20 PITCH
 Δ MEASURING POINT: AT TOP OF POST
 Δ TAPE MUST NOT PROTRUDE FROM BACKING PAPER
 Δ MEASURING POINT, THE TOP OF TAPING AND THE CENTER LINE OF LEAD WIRE 1W BETWEEN
 Δ BE BASED ON THE CENTER 12.7mm PITCH DIMENSION
 Δ DIMENSIONS ARE FOR ALL POSITION.
 Δ APPLICABLE P.C.B. HOLE DIA: ØA: 1.1 ± 0.1mm
 Δ PRELIMINARY-NOT FOR PRODUCTION



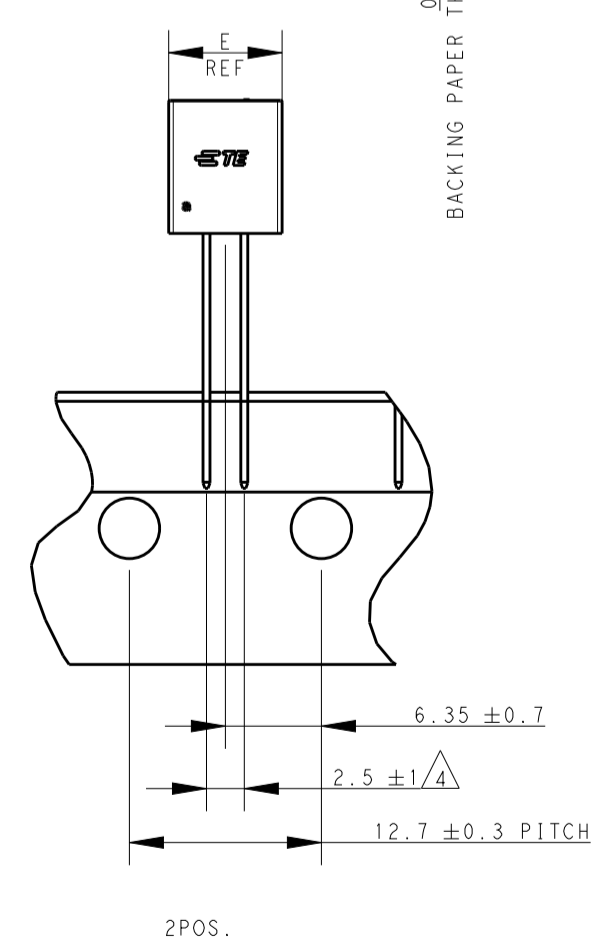
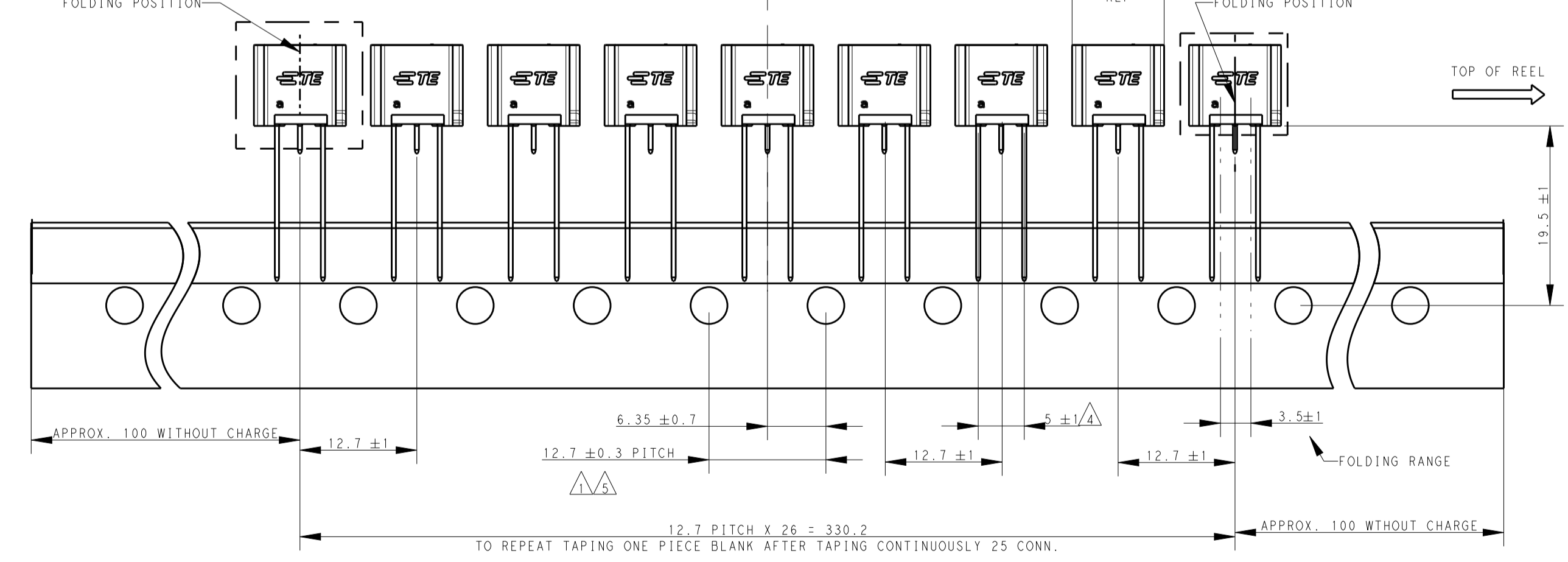
TAPING STYLE B: 4,6,8POS



KEYING	COLOR	X
D	BLACK	5
D	YELLOW	4
C	RED	3
B	BLUE	2
A	NATURAL	1
KEYING	COLOR	X

ITEM	NAME	MATERIAL
①	HEAD HOUSING	66 NYLON GF UL94V-0
②	LONG POST CONTACT	BRASS:
③	SHORT POST CONTACT	FINISH: CONTACT POINT Au, Time Tin, OVER Ni
④	RADIAL TAPE	THERMAL PAPER
⑤	BACKING PAPER	CRAFT PAPER

TAPING STYLE A: 2,3POS



* / *	* / *	* / *	450	B	17.5	8	22.5	8	8-2232542-X	8-2232546-X Δ
* / *	* / *	* / *	450	C	15	7	20.0	7	7-2232542-X	7-2232546-X Δ
* / *	* / *	* / *	450	B	12.5	6	17.5	6	6-2232542-X	6-2232546-X
* / *	* / *	* / *	450	C	10	5	15.0	5	5-2232542-X	5-2232546-X
* / *	* / *	* / *	450	B	7.5	4	12.5	4	4-2232542-X	4-2232546-X
* / *	* / *	* / *	900	A	5	3	10.0	3	3-2232542-X	3-2232546-X
* / *	* / *	* / *	900	A	2.5	2	7.5	2	2-2232542-X	2-2232546-X
8 7 6 5 4 3 2 1	QTY	TAPING STYLE	M	N	E	POS	HEAD ASS 1	STRIP ASS	X=1.2.3.4.5	
CIRCUIT NO.										

Δ: LONG PIN 2232707-4
 * : SHORT PIN 2232707-3

THIS DRAWING IS A CONTROLLED DOCUMENT.

DMN: ANNIE QIAN 18-JAN-16
 CHK: DANIEL ZHANG 18-JAN-16
 APVD: DANIEL ZHANG 18-JAN-16

NAME: GRACE INERTIA 2.5 CONNECTOR HEADER ON TAPE

PRODUCT SPEC: 108-106077
 APPLICATION SPEC: 114-106077

SIZE: A1 CAGE CODE: 2232546 DRAWING NO: 114-106077

RESTRICTED TO: A1

CUSTOMER DRAWING SCALE: 4:1 SHEET: 1 OF 1 REV: A1

Mouser Electronics

Authorized Distributor

Click to View Pricing, Inventory, Delivery & Lifecycle Information:

TE Connectivity:

[2-2232546-5](#) [4-2232546-3](#) [5-2232546-2](#) [4-2232546-2](#) [4-2232546-5](#) [3-2232546-2](#) [2-2232546-4](#) [2-2232546-2](#) [5-2232546-3](#) [6-2232546-4](#) [5-2232546-4](#) [6-2232546-5](#) [5-2232546-1](#) [4-2232546-4](#) [3-2232546-3](#) [6-2232546-3](#) [4-2232546-1](#) [6-2232546-2](#) [5-2232546-5](#) [2-2232546-3](#) [2-2232546-1](#) [6-2232546-1](#) [3-2232546-4](#) [3-2232546-1](#) [3-2232546-5](#)