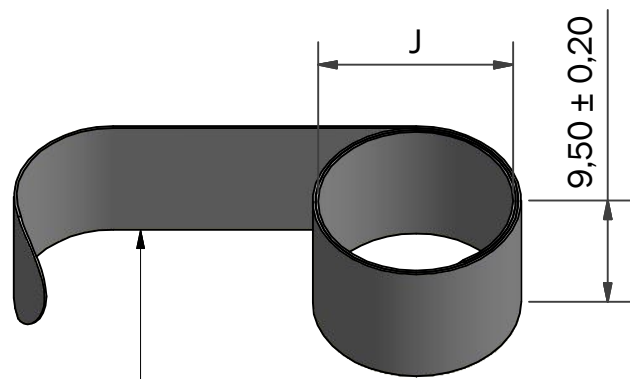
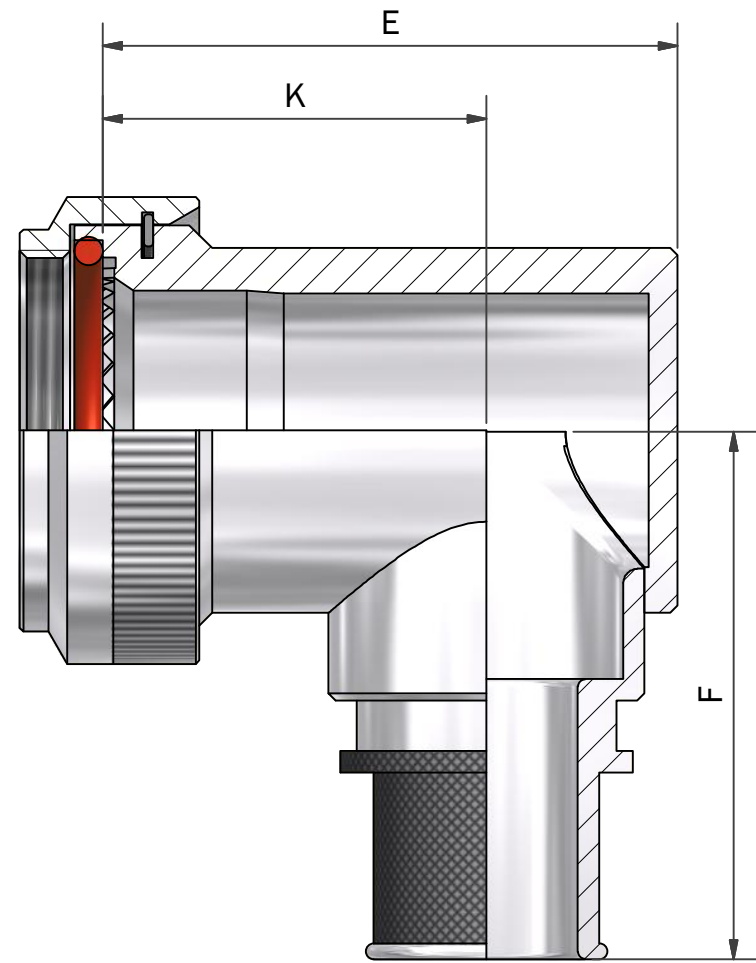
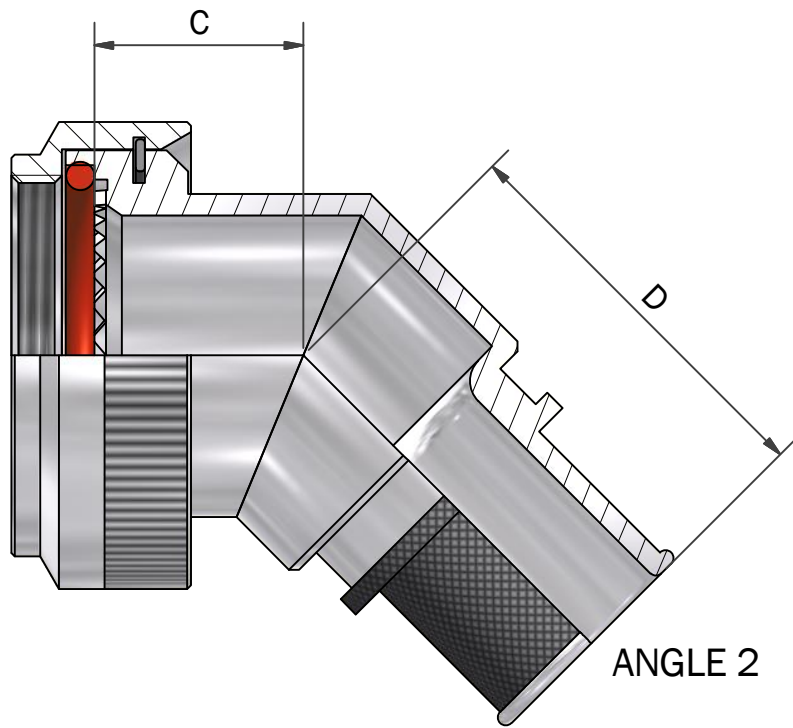
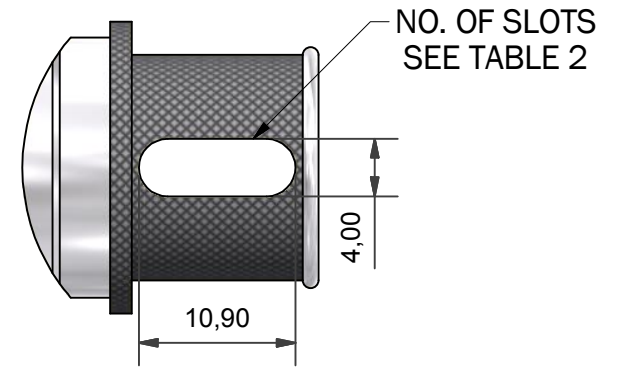


SLOT OPTION - SL (PIGTAIL TERMINATION)



CONSTANT FORCE SPRING (TABLE 3)

DRAWN	J.CLARK	DATE	07/09/2010	3RD ANGLE PROJECTION NOT TO SCALE	POLAMCO WESTON LOCK LOWER BRISTOL ROAD BATH BA2 1EP	PAGE 1 OF 3	UNLESS OTHERWISE SPECIFIED ALL DIMENSIONS IN MILLIMETRES
SALES APPR							
DESIGN APPR	K.SHEP	DATE	21/02/2008	THIS DRAWING IS COPYRIGHT AND THE PROPERTY OF POLAMCO LTD. IT MUST NOT BE COPIED, USED FOR MANUFACTURE OR OTHERWISE DISCLOSED WITHOUT PRIOR WRITTEN CONSENT OF THE COMPANY.	ASSY USED ON: MIL-DTL-38999 SERIES III & IV TITLE: SPRING ADAPTOR	MATERIAL ALUMINIUM ALLOY 6262 NCAGE CODE U5792	
QUAL APPR							
ISSUE	5	DCR	6180				
WEIGHT		GENERAL TOL	LINEAR +/- 0.1MM ANGULAR +/- 1°	PART NUMBER:	91H SERIES	DRAWING NO:	P10743

TABLE 1

SHELL SIZE	A THREAD	ØB MAX	ØT MIN	C MAX	D MAX	E MAX	F MAX	K ±0,5
09	M12 x 1.0	18,0	6,7	13,1	25,7	25,7	30,5	17,5
11	M15 x 1.0	21,0	10,2	13,9	26,9	26,7	32,2	17,5
13	M18 x 1.0	24,5	13,5	14,5	27,3	31,2	33,7	20,0
15	M22 x 1.0	29,0	16,2	15,5	28,2	37,2	35,2	24,5
17	M25 x 1.0	32,5	19,4	16,1	29,0	40,2	36,9	26,7
19	M28 x 1.0	35,5	21,8	16,8	29,3	44,7	38,5	27,0
21	M31 x 1.0	37,0	25,1	17,1	30,1	49,2	40,1	30,5
23	M34 x 1.0	40,0	28,2	17,7	30,5	51,7	41,6	31,5
25	M37 x 1.0	43,5	31,4	18,4	31,4	53,2	43,1	28,5

TABLE 2

ENTRY SIZE	ØG MIN	ØH MAX	SPRING REF	NO. OF SLOTS *
03	4,7	13,9	HE050	1
04	6,3	13,9	HE050	1
05	7,9	15,5	HE100	1
06	9,5	17,2	HE100	2
07	11,1	18,7	HE100	2
08	12,7	20,3	HE200	2
09	14,2	21,9	HE200	2
10	15,8	23,5	HE200	2
11	17,4	25,1	HE200	2
12	19,0	26,7	HE300	2
13	20,6	28,3	HE300	2
14	22,2	29,9	HE300	4
15	23,8	31,5	HE300	4
16	25,4	33,1	HE300	4
17	27,0	34,7	HE400	4
18	28,6	36,3	HE400	4
19	30,2	37,9	HE400	4
20	31,8	39,5	HE400	4
21	33,3	41,1	HE400	4
22	35,0	42,7	HE400	4
23	36,5	44,3	HE400	4
24	38,1	45,9	HE400	4

TABLE 3

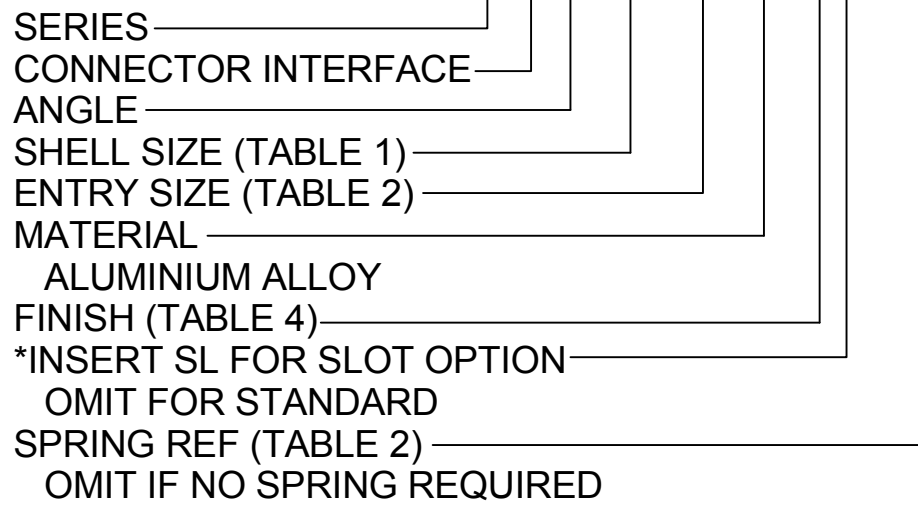
SPRING REF	J MAX (UNCONSTRAINED)
HE 050	7,5
HE 100	9,1
HE 200	12,8
HE 300	17,9
HE 400	21,8

TABLE 4

CODE	FINISH
C	ELECTROLESS NICKEL
B	CADMIUM OLIVE DRAB OVER ELECTROLESS NICKEL
ZB	ZINC COBALT OLIVE DRAB OVER ELECTROLESS NICKEL
ZN	ZINC NICKEL BLACK PASSIVATE OVER ELECTROLESS NICKEL

LIST NOT EXHAUSTIVE, SEE PLATING TABLE FOR OTHER OPTIONS

91H1-17-08-1-C-HE200



DRAWN J.CLARK	DATE 07/09/2010			WESTON LOCK LOWER BRISTOL ROAD BATH BA2 1EP	PAGE 2 OF 3	UNLESS OTHERWISE SPECIFIED ALL DIMENSIONS IN MILLIMETRES
SALES APPR						
DESIGN APPR K.SHEP	21/02/2008	THIS DRAWING IS COPYRIGHT AND THE PROPERTY OF POLAMCO LTD IT MUST NOT BE COPIED, USED FOR MANUFACTURE OR OTHERWISE DISCLOSED WITHOUT PRIOR WRITTEN CONSENT OF THE COMPANY.	ASSY USED ON: MIL-DTL-38999 SERIES III & IV			MATERIAL ALUMINIUM ALLOY 6262
QUAL APPR			TITLE: <h2 style="text-align: center;">SPRING ADAPTOR</h2>			
ISSUE 5	DCR 6180		PART NUMBER: <h2 style="text-align: center;">91H SERIES</h2>			DRAWING NO: P10743
WEIGHT	GENERAL TOL LINEAR +/-0.1MM ANGULAR +/- 1°					

Mouser Electronics

Authorized Distributor

Click to View Pricing, Inventory, Delivery & Lifecycle Information:

TE Connectivity:

[91H1-11-04-1-B-HE050](#) [91H1-25-16-1-B-HE300](#) [91H3-17-11-1-B](#) [91H3-25-16-1-C](#) [91H3-17-11-1-C](#) [91H3-19-12-1-C](#)
[91H3-09-05-1-B](#) [91H3-13-06-1-B-HE100](#) [91H3-13-09-1-C](#) [91H3-21-13-1-B](#) [91H3-15-10-1-B](#) [91H3-09-05-1-C](#) [91H3-](#)
[13-08-1-B](#) [91H1-09-05-1-B-HE100](#) [91H3-21-13-1-C](#) [91H3-23-15-1-C](#) [91H3-19-12-1-B](#) [91H3-23-15-1-B](#) [91H3-11-06-](#)
[1-C](#) [91H3-15-10-1-C](#) [91H3-15-16-1-C](#) [91H3-13-07-1-ZB-HE100](#)