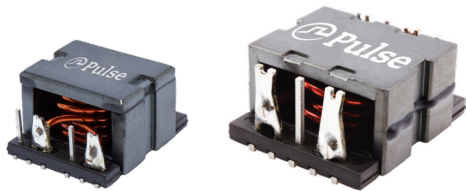


SMT Common Mode Chokes

PH9407.XXXNLT and PH9408.XXXNLT Series



- Ⓢ ER19 and ER25 Planar Platforms
- Ⓢ 24.9x21.6x16.9mm and 30.5x27x18mm Max
- Ⓢ Up to 39Arms rated current
- Ⓢ Up to 1500Vrms Isolation⁴ (380Vrms continuous)

Electrical Specifications @ 25°C - Operating Temperature -40°C to +125°C

Part Number	Inductance (2,3-5,6)	I _{rated}	LK (2,3-5,6) with (7,8,10,11) shorted	Capacitance N1 to N2 (2,3,5,6) to (7,8,10,11)	DCR (2,3-5,6)=(10,11-7,8)	Self Resonant Frequency (2,3-5,6)=(10,11-7,8)	Impedance at SRF
	($\mu\text{H} \pm 35\%$)	(A)	($\mu\text{H TYP}$)	(pF TYP)	(m Ω MAX)	(MHz TYP)	(k Ω TYP)
PH9407.XXXNLT - 24.9mm x 21.6mm x 16.9mm Max							
PH9407.104NLT	120.0	20	0.4	4.3	2.50	1.65	0.73
PH9407.204NLT	200.0	17	0.5	6.4	3.50	1.79	1.08
PH9407.304NLT	280.0	14	0.9	7.0	4.80	1.57	1.60
PH9407.404NLT	360.0	12	1.3	7.2	5.30	1.56	1.72
PH9407.504NLT	480.0	10	1.5	7.8	7.80	1.42	2.35
PH9408.XXXNLT - 30.5mm x 27mm x 18mm Max							
PH9408.164NLT	160.0*	39	1.5	8	1.3	1.6	0.4
PH9408.254NLT	250.0*	32	2.0	8	1.7	2.0	0.6
PH9408.364NLT	360.0	23	3.0	9	3.5	1.2	1.5
PH9408.494NLT	490.0	21	4.0	10	4.0	1.1	2.0
PH9408.644NLT	640.0	19	6.0	11	5.6	1.1	2.5
PH9408.814NLT	810.0	18	6.0	11	6.3	1.1	3.4
PH9408.105NLT	1000	17	6.0	11	7.0	1.1	4.3
PH9408.155NLT	1450	12	6.0	11	13	0.95	5.5

* Inductance tolerance on indicated part numbers is -35% min; tolerance is +35% on all other parts.

NOTE:

1. The I_{rated} is based upon the temperature rise of the component and represents the rms current which will cause a typical temperature rise of 50°C with free air cooling.
2. The temperature of the component (ambient plus temperature rise) must be within the stated operating temperature range.
3. Pulse complies to industry standard tape and reel specification EIA481.
4. 1500Vrms for PH9408.XXXNLT, 1000Vrms for PH9407.XXXNLT

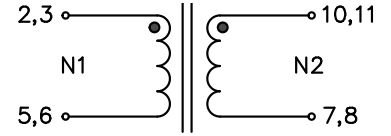
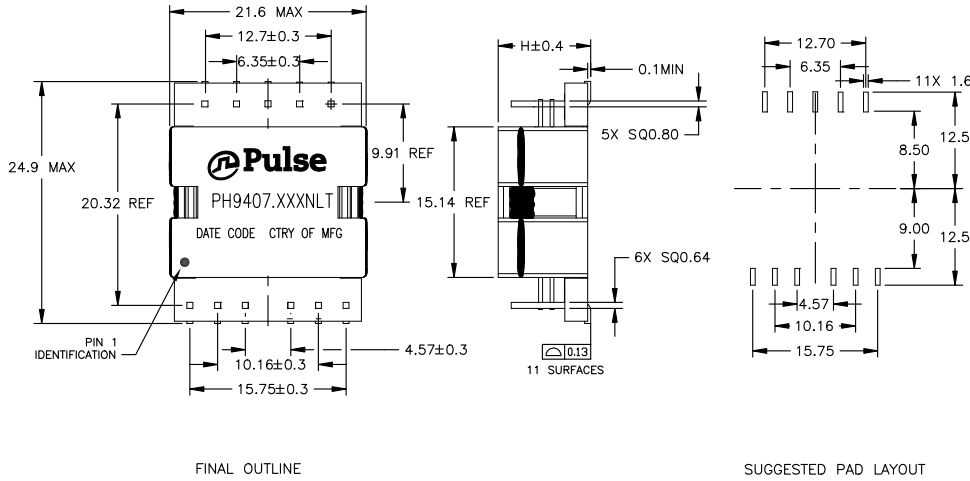
SMT Common Mode Chokes

PH9407.XXXNLT and PH9408.XXXNLT Series

Mechanicals

Schematic

PH9407.XXXNLT



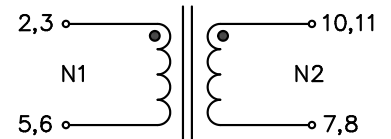
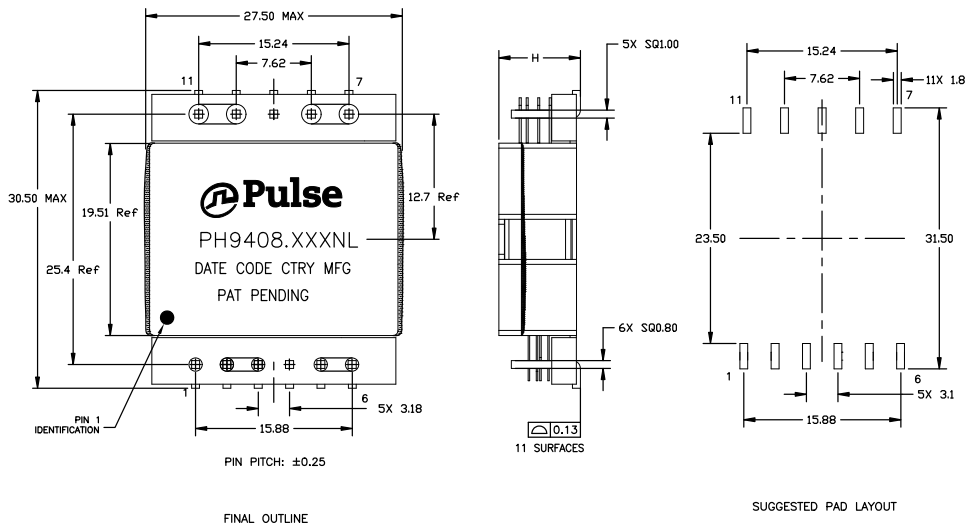
PH9407. Series	H(mm Max)	Weight(g TYP)
104NLT	13.9	16
204NLT	14.8	18
304NLT	16.0	18
404NLT	16.9	20
504NLT	16.9	19

Dimensions: mm
Unless otherwise specified, all tolerance are ±0.25

Mechanicals

Schematic

PH9408.XXXNLT



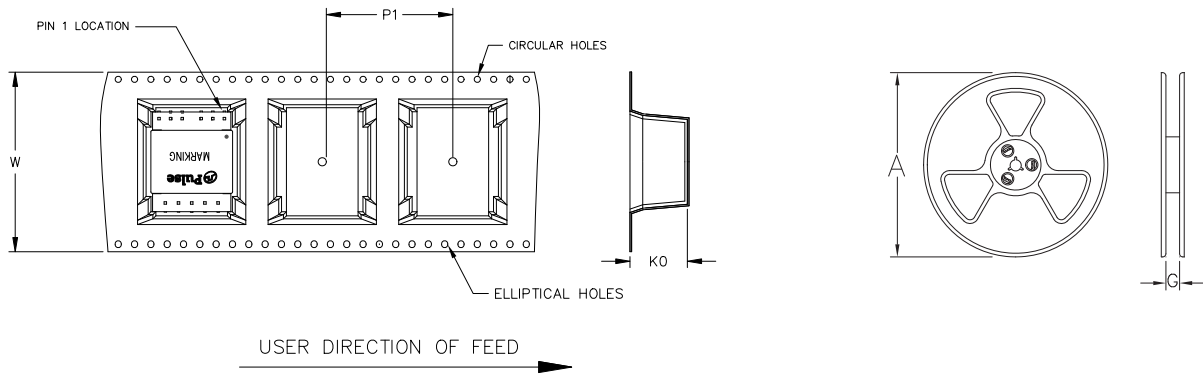
PH9408. Series	H(mm Max)	Weight(g TYP)
164NLT	15.0	30
254NLT	15.0	30
364NLT	17.0	34
494NLT	17.0	35
644NLT	18.0	35
814NLT	18.0	36
105NLT	18.0	35
155NLT	18.0	36

Dimensions: mm
Unless otherwise specified, all tolerance are ±0.25

SMT Common Mode Chokes

PH9407.XXXNLT and PH9408.XXXNLT Series

TAPE & REEL INFO



SURFACE MOUNTING TYPE, REEL/TAPE LIST						
PART NUMBER	REEL SIZE (mm)		TAPE SIZE (mm)			QTY
	A	G	P ₁	W	K ₀	PCS/REEL
PH9407.104NLT	Ø330	44.4	32	44	14.9	100
PH9407.204NLT	Ø330	44.4	32	44	15.3	100
PH9407.304NLT	Ø330	56.4	32	56	17.0	80
PH9407.404NLT	Ø330	56.4	32	56	17.9	80
PH9407.504NLT	Ø330	56.4	32	56	17.9	80
PH9408.164NLT	Ø330	56.4	40	56	15.8	60
PH9408.254NLT	Ø330	56.4	40	56	15.8	60
PH9408.364NLT	Ø330	56.4	40	56	18.4	45
PH9408.494NLT	Ø330	56.4	40	56	18.4	45
PH9408.644NLT	Ø330	56.4	40	56	18.4	45
PH9408.814NLT	Ø330	56.4	40	56	18.4	45
PH9408.105NLT	Ø330	56.4	40	56	18.4	45
PH9408.155NLT	Ø330	56.4	40	56	18.4	45

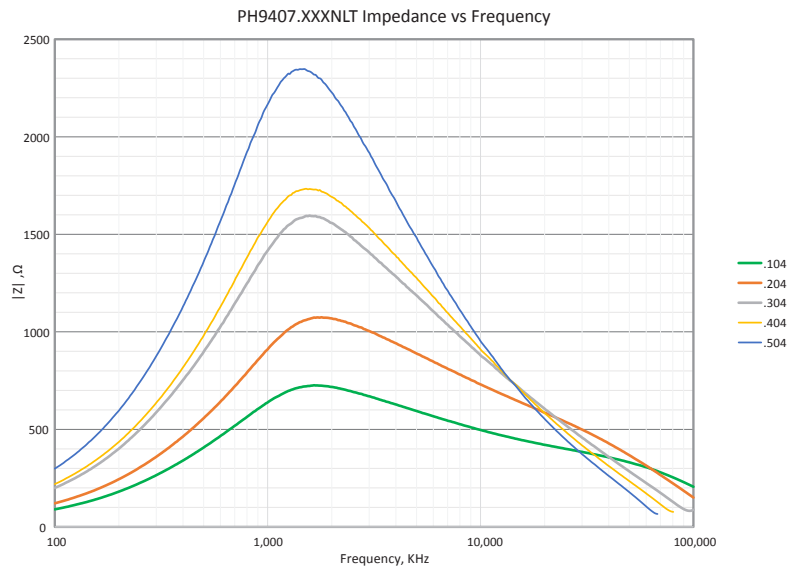
SMT Common Mode Chokes

PH9407.XXXNLT and PH9408.XXXNLT Series

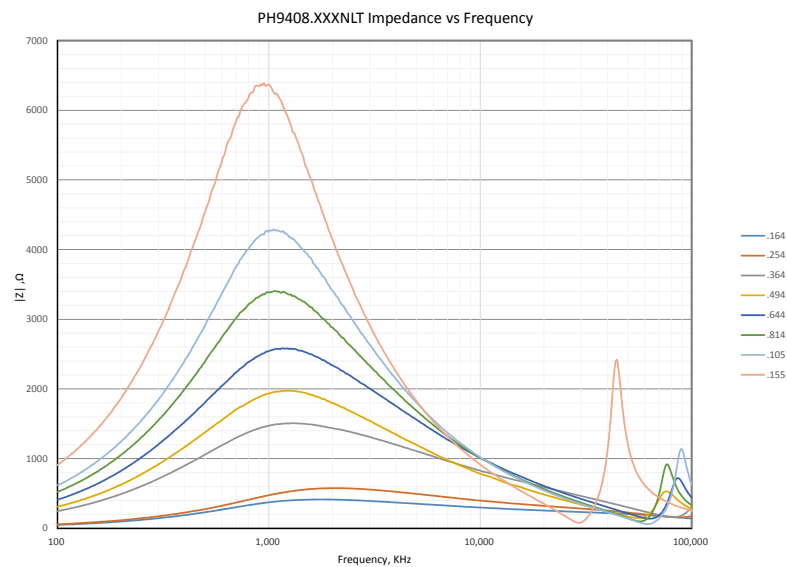
Impedance Plots

PH9407.XXXNLT

PH9407.XXXNLT



PH9408.XXXNLT



For More Information:

Americas - prodinfo_power@pulseelectronics.com | Europe - power-apps-europe@pulseelectronics.com | Asia - power-apps-asia@pulseelectronics.com

Performance warranty of products offered on this data sheet is limited to the parameters specified. Data is subject to change without notice. Other brand and product names mentioned herein may be trademarks or registered trademarks of their respective owners. © Copyright, 2024. Pulse Electronics, Inc. All rights reserved.