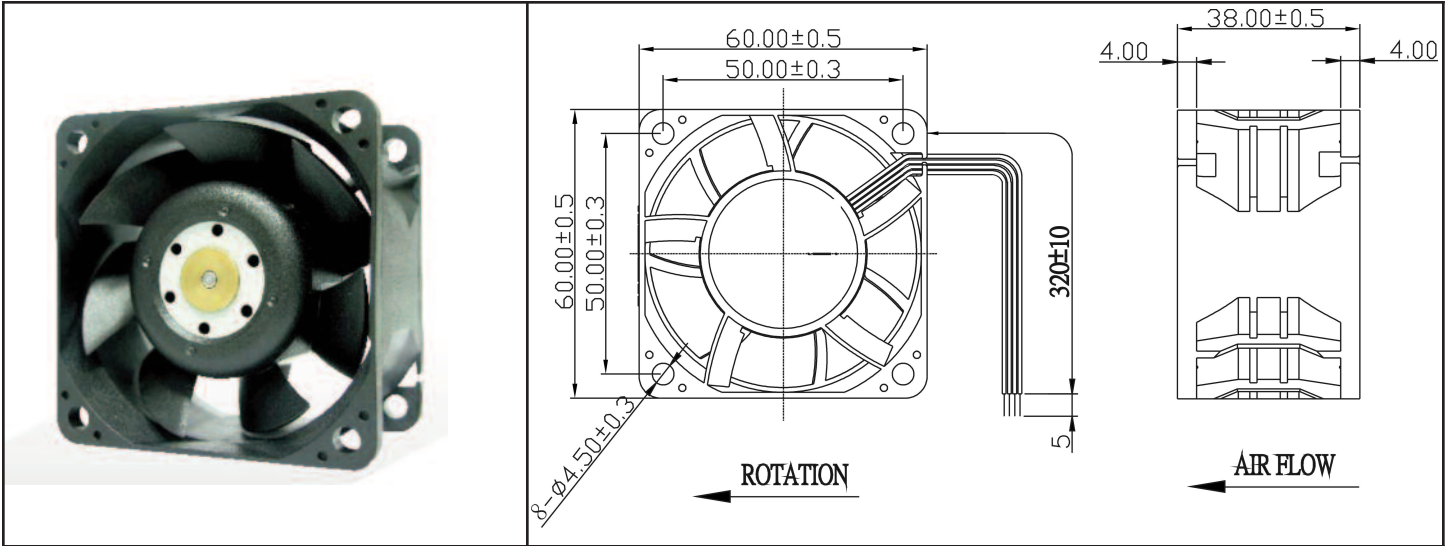


OD6038 XC Series



DC Fan 12V

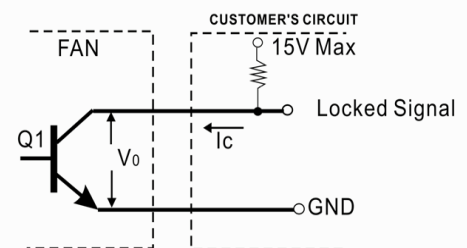
60x38mm (2.36"x 1.5")



Frame & Impeller	PBT, UL94V-O plastic	Tachometer - Open Collector Weight: ~ 125 g * Connection UL1007, 24AWG, ~320mm Red (+) Black (-) White Tachometer m1	<p>Graph showing Static Pressure (mmAq) and Static Pressure (InAq) vs Flowrate (CFM) and Flowrate (CMM). The curve shows a decrease in static pressure as flowrate increases.</p>
Connecion	3x Lead wires *		
Motor	Brushless DC, auto restart, polarity protected.		
Bearing System	Dual ball bearing		
Insulation Resistance	Min. 10M at 500VDC		
Dielectric Strength	1 minute at 500 VAC, max leakage < 500 MicroAmp		
Temperature Range	-10C ~ +70C		
Storage Temperature	-40C ~ +80C		
Life (L10)	70,000 hours (40C)		

Part Number	OD6038-12HBXC01A
Nominal Voltage	12V DC
Voltage Range	10.8 ~ 13.2V DC
Nominal Current	2.10 A
Rated Power	28.8 W
Rated Speed (RPM)	14500
Airflow (CFM)	76
Noise Level (dB)	64
Max. Static Pressure	2.4" H ₂ O

*Output type.....Open collector type
 *Electrical design suggestion:



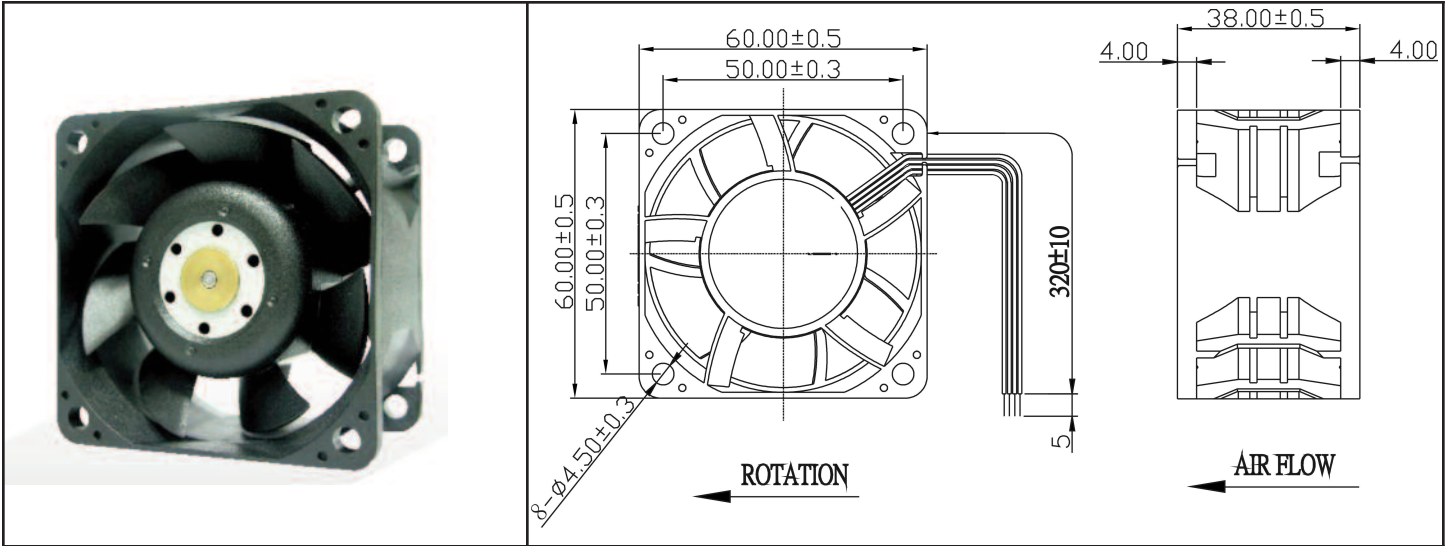
*Transistor Q1 at "ON" position
 Collector current.....I_c=10mA Max
 Saturation Voltage.....V_{OL}=1.0V Max
 (Between Collector and Emitter at I_c=10mA)
 *Transistor Q1 at "OFF" position
 Release Voltage.....V_{OH}=15V Max

OD6038 XC Series



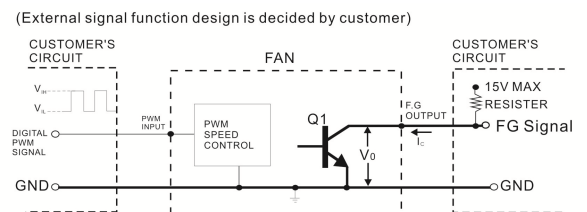
DC Fan 12V

60x38mm (2.36"x 1.5")



Frame & Impeller	PBT, UL94V-O plastic	Tachometer - Open Collector PWM Input Weight: ~ 125 g * Connection UL1007, 24AWG, ~320mm Red (+) Black (-) White Tachometer Blue PWM	
Connecion	4x Lead wires *		
Motor	Brushless DC, auto restart, polarity protected.		
Bearing System	Dual ball bearing		
Insulation Resistance	Min. 10M at 500VDC		
Dielectric Strength	1 minute at 500 VAC, max leakage < 500 MicroAmp		
Temperature Range	-10C ~ +70C		
Storage Temperature	-40C ~ +80C		
Life (L10)	70,000 hours (40C)		

Part Number	OD6038-12HBXC10A
Nominal Voltage	12V DC
Voltage Range	10.8 ~ 13.2V DC
Nominal Current	2.10 A
Rated Power	28.8 W
Rated Speed (RPM)	14500
Airflow (CFM)	76
Noise Level (dB)	64
Max. Static Pressure	2.4" H ₂ O



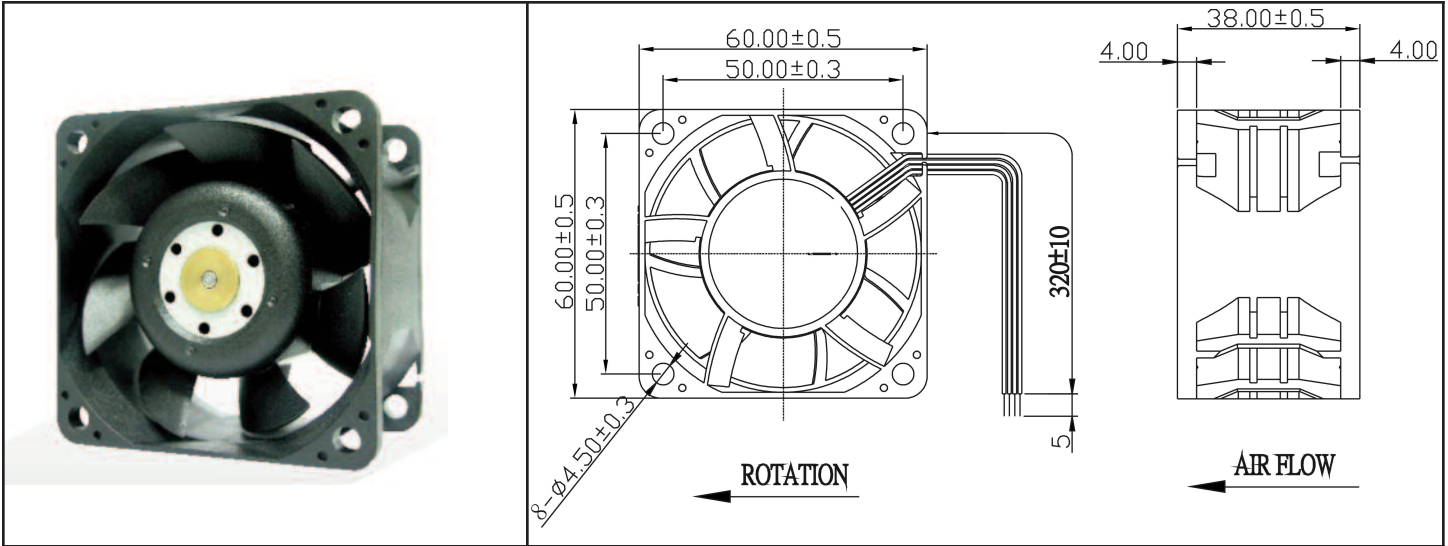
- *TRANSISTOR Q1 AT "ON" POSITION
COLLECTOR CURRENT----- $I_c = 10\text{mA MAX}$
SATURATION VOLTAGE----- $V_{ce} = 1\text{ V MAX}$
- *TRANSISTOR Q1 AT "OFF" POSITION
RELEASE VOLTAGE----- $V_{off} = 15\text{ V MAX}$
- *DIGITAL PWM SPEED CONTROL POSITION
PWM INPUT VOLTAGE HIGH----- $V_{in} = 5.5\text{ V MAX}$
PWM INPUT VOLTAGE LOW----- $V_L = 0.5\text{ V MAX}$
- *PWM INPUT FREQUENCY----- $f_{PWM}: 18\text{KHZ} \sim 30\text{KHZ}$

OD6038 XC Series



DC Fan 12V

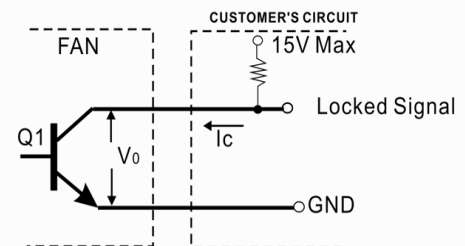
60x38mm (2.36"x 1.5")



Frame & Impeller	PBT, UL94V-O plastic	Tachometer - Open Collector Weight: ~ 125 g * Connection UL1007, 24AWG, ~320mm Red (+) Black (-) White Tachometer	
Connecion	3x Lead wires *		
Motor	Brushless DC, auto restart, polarity protected.		
Bearing System	Dual ball bearing		
Insulation Resistance	Min. 10M at 500VDC		
Dielectric Strength	1 minute at 500 VAC, max leakage < 500 MicroAmp		
Temperature Range	-10C ~ +70C		
Storage Temperature	-40C ~ +80C		
Life (L10)	70,000 hours (40C)	m1	

Part Number	OD6038-12HHBXC01A
Nominal Voltage	12V DC
Voltage Range	10.8 ~ 13.2V DC
Nominal Current	2.70 A
Rated Power	36 W
Rated Speed (RPM)	16000
Airflow (CFM)	86
Noise Level (dB)	66
Max. Static Pressure	2.95" H2O

*Output type.....Open collector type
 *Electrical design suggestion:



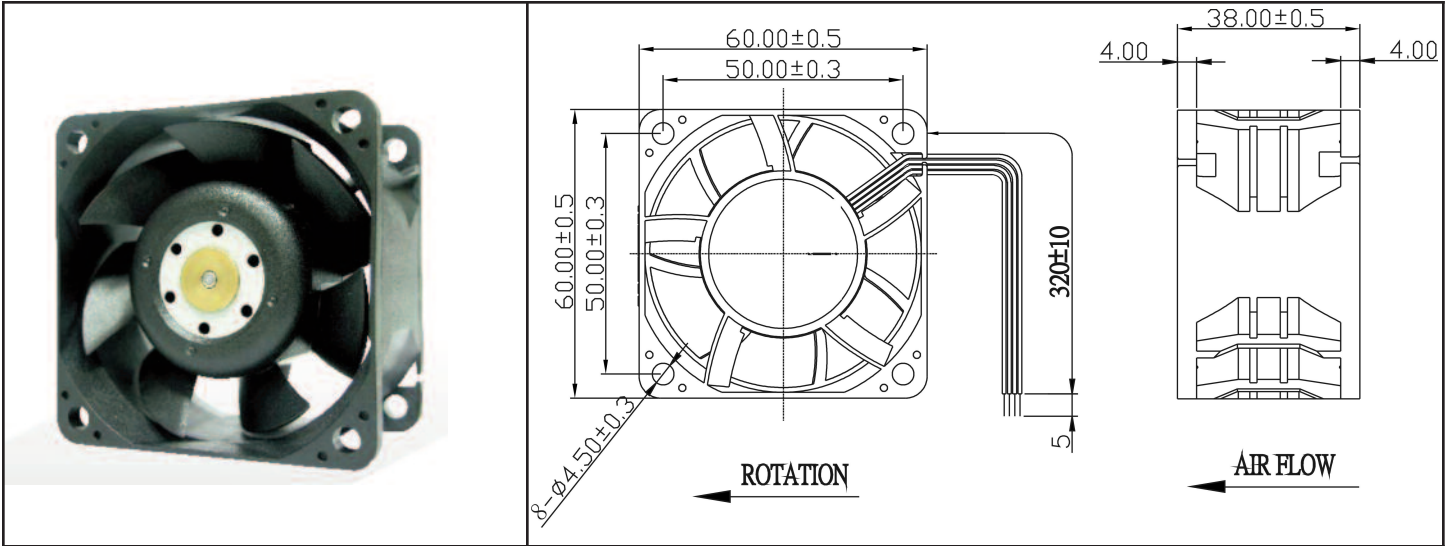
*Transistor Q1 at "ON" position
 Collector current..... $I_c=10\text{mA Max}$
 Saturation Voltage..... $V_{OL}=1.0\text{V Max}$
 (Between Collector and Emitter at $I_c=10\text{mA}$)
 *Transistor Q1 at "OFF" position
 Release Voltage..... $V_{OH}=15\text{V Max}$

OD6038 XC Series



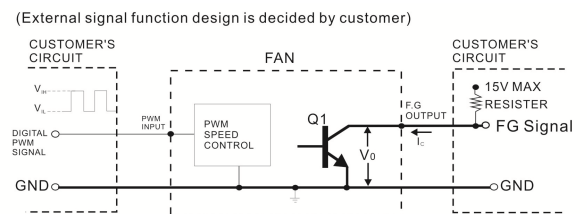
DC Fan 12V

60x38mm (2.36"x 1.5")



Frame & Impeller	PBT, UL94V-O plastic	Tachometer - Open Collector PWM Input Weight: ~ 125 g * Connection UL1007, 24AWG, ~320mm Red (+) Black (-) White Tachometer Blue PWM	
Connection	4x Lead wires *		
Motor	Brushless DC, auto restart, polarity protected.		
Bearing System	Dual ball bearing		
Insulation Resistance	Min. 10M at 500VDC		
Dielectric Strength	1 minute at 500 VAC, max leakage < 500 MicroAmp		
Temperature Range	-10C ~ 70C		
Storage Temperature	-40C ~ +80C		
Life (L10)	70,000 hours (40C)		
	m1		

Part Number	OD6038-12HHBXC10A
Nominal Voltage	12V DC
Voltage Range	10.8 ~ 13.2V DC
Nominal Current	2.70 A
Rated Power	36 W
Rated Speed (RPM)	16000
Airflow (CFM)	86
Noise Level (dB)	66
Max. Static Pressure	2.95" H ₂ O



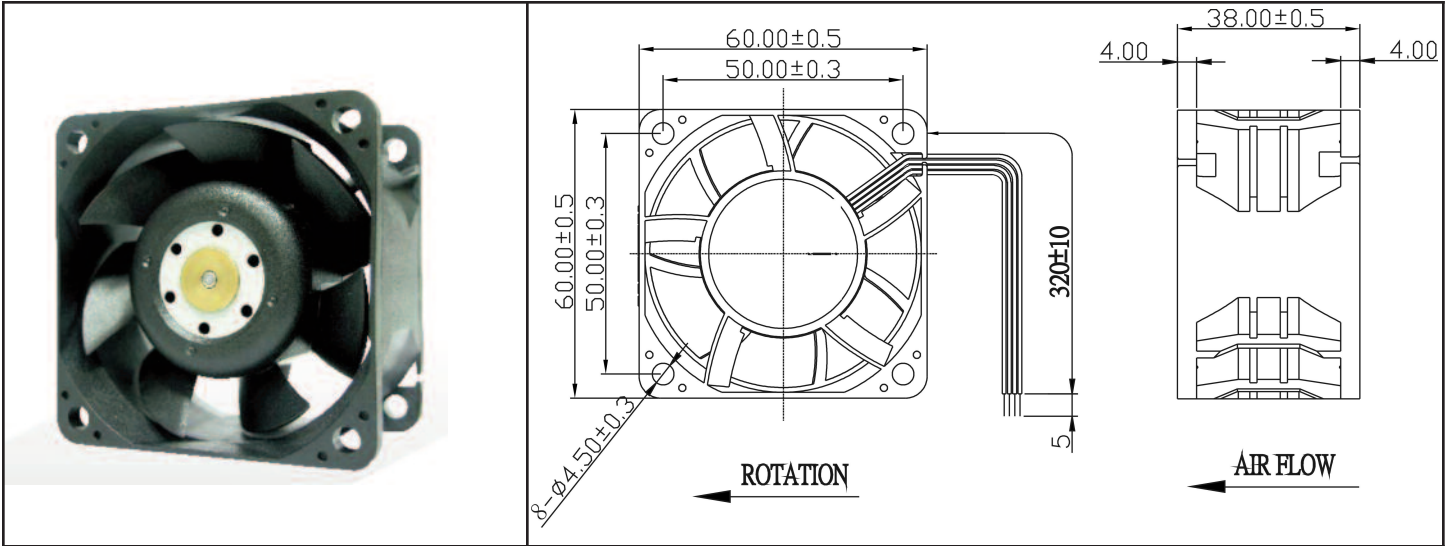
- *TRANSISTOR Q1 AT "ON" POSITION
COLLECTOR CURRENT-----I_c=10mA MAX
SATURATION VOLTAGE-----V_{ce}=1 V MAX
- *TRANSISTOR Q1 AT "OFF" POSITION
RELEASE VOLTAGE-----V_{off}=15 V MAX
- *DIGITAL PWM SPEED CONTROL POSITION
PWM INPUT VOLTAGE HIGH-----V_{in}=5.5 V MAX
PWM INPUT VOLTAGE LOW-----V_{in}= 0.5 V MAX
- *PWM INPUT FREQUENCY-----FPWM:18KHZ-30KHZ

OD6038 XC Series



DC Fan 12V

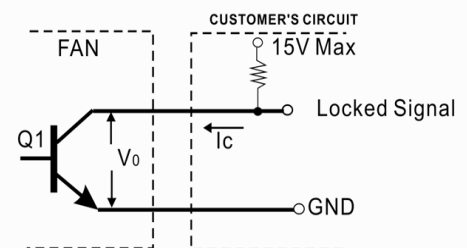
60x38mm (2.36"x 1.5")



Frame & Impeller	PBT, UL94V-O plastic	Tachometer - Open Collector	
Connecion	3x Lead wires *		
Motor	Brushless DC, auto restart, polarity protected.	Weight: ~ 125 g	
Bearing System	Dual ball bearing	* Connection UL1007, 24AWG, ~320mm Red (+) Black (-) White Tachometer	
Insulation Resistance	Min. 10M at 500VDC		
Dielectric Strength	1 minute at 500 VAC, max leakage < 500 MicroAmp		
Temperature Range	-10C ~ +70C		
Storage Temperature	-40C ~ +80C		
Life (L10)	70,000 hours (40C)	m1	

Part Number	OD6038-12LBXC01A
Nominal Voltage	12V DC
Voltage Range	10.8 ~ 13.2V DC
Nominal Current	1.45 A
Rated Power	21.6 W
Rated Speed (RPM)	13000
Airflow (CFM)	68
Noise Level (dB)	61
Max. Static Pressure	1.95" H ₂ O

*Output type.....Open collector type
*Electrical design suggestion:



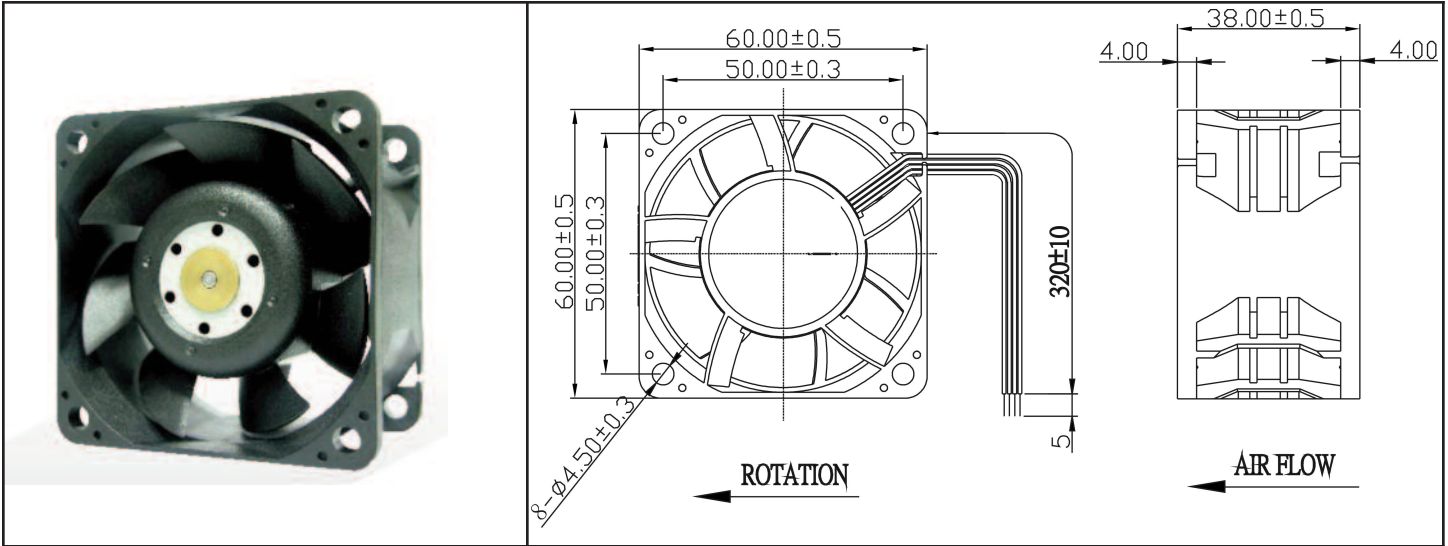
*Transistor Q1 at "ON" position
Collector current.....I_c=10mA Max
Saturation Voltage.....V_{OL}=1.0V Max
(Between Collector and Emitter at I_c=10mA)
*Transistor Q1 at "OFF" position
Release Voltage.....V_{OH}=15V Max

OD6038 XC Series



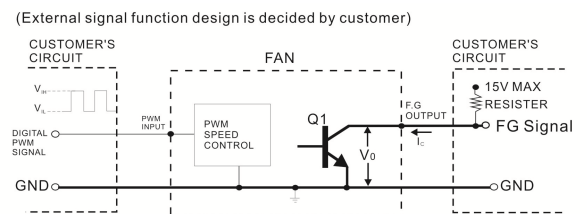
DC Fan 24V

60x38mm (2.36"x 1.5")



Frame & Impeller	PBT, UL94V-O plastic	Tachometer - Open Collector PWM Input Weight: ~ 125 g * Connection UL1007, 24AWG, ~320mm Red (+) Black (-) White Tachometer Blue PWM	
Connection	4x Lead wires *		
Motor	Brushless DC, auto restart, polarity protected.		
Bearing System	Dual ball bearing		
Insulation Resistance	Min. 10M at 500VDC		
Dielectric Strength	1 minute at 500 VAC, max leakage < 500 MicroAmp		
Temperature Range	-10C ~ 70C		
Storage Temperature	-40C ~ +80C	m1	
Life (L10)	70,000 hours (40C)		

Part Number	OD6038-24HHBXC10A
Nominal Voltage	24V DC
Voltage Range	21.6 ~ 26.4V DC
Nominal Current	1.25 A
Rated Power	30 W
Rated Speed (RPM)	16000
Airflow (CFM)	86
Noise Level (dB)	69.5
Max. Static Pressure	2.95" H ₂ O



- *TRANSISTOR Q1 AT "ON" POSITION
COLLECTOR CURRENT-----I_c = 10mA MAX
SATURATION VOLTAGE-----V₀₁ = 1 V MAX
- *TRANSISTOR Q1 AT "OFF" POSITION
RELEASE VOLTAGE-----V_{0off} = 15 V MAX
- *DIGITAL PWM SPEED CONTROL POSITION
PWM INPUT VOLTAGE HIGH-----V_{ih} = 5.5 V MAX
PWM INPUT VOLTAGE LOW-----V_{il} = 0.5 V MAX
- *PWM INPUT FREQUENCY-----FPWM: 18KHZ-30KHZ