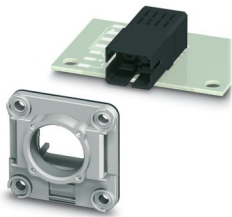


VS-SCRJ-A-TC-IP67 - Panel mounting frames

1658545

<https://www.phoenixcontact.com/us/products/1658545>

Please be informed that the data shown in this PDF document is generated from our online catalog. Please find the complete data in the user documentation. Our general terms of use for downloads are valid.



VS-SC-RJ panel mounting frame for transceiver from AVAGO, type: AFBR 5978Z, gray, IP65/67

Commercial data

Item number	1658545
Packing unit	1 pc
Note	Made to order (non-returnable)
Sales key	AB17
Product key	ABNNDC
Catalog page	Page 354 (C-2-2019)
GTIN	4046356163095
Weight per piece (including packing)	8.8 g
Weight per piece (excluding packing)	8.8 g
Customs tariff number	39269097
Country of origin	DE

VS-SCRJ-A-TC-IP67 - Panel mounting frames



1658545

<https://www.phoenixcontact.com/us/products/1658545>

Technical data

Product properties

Product type	Panel mounting frame
Application	PCB
Type	SCRJ, IP65/67, version 6
Type	RJ45

Material specifications

Color	gray
Flammability rating according to UL 94	V0
Housing material	Plastic

Environmental and real-life conditions

Ambient conditions

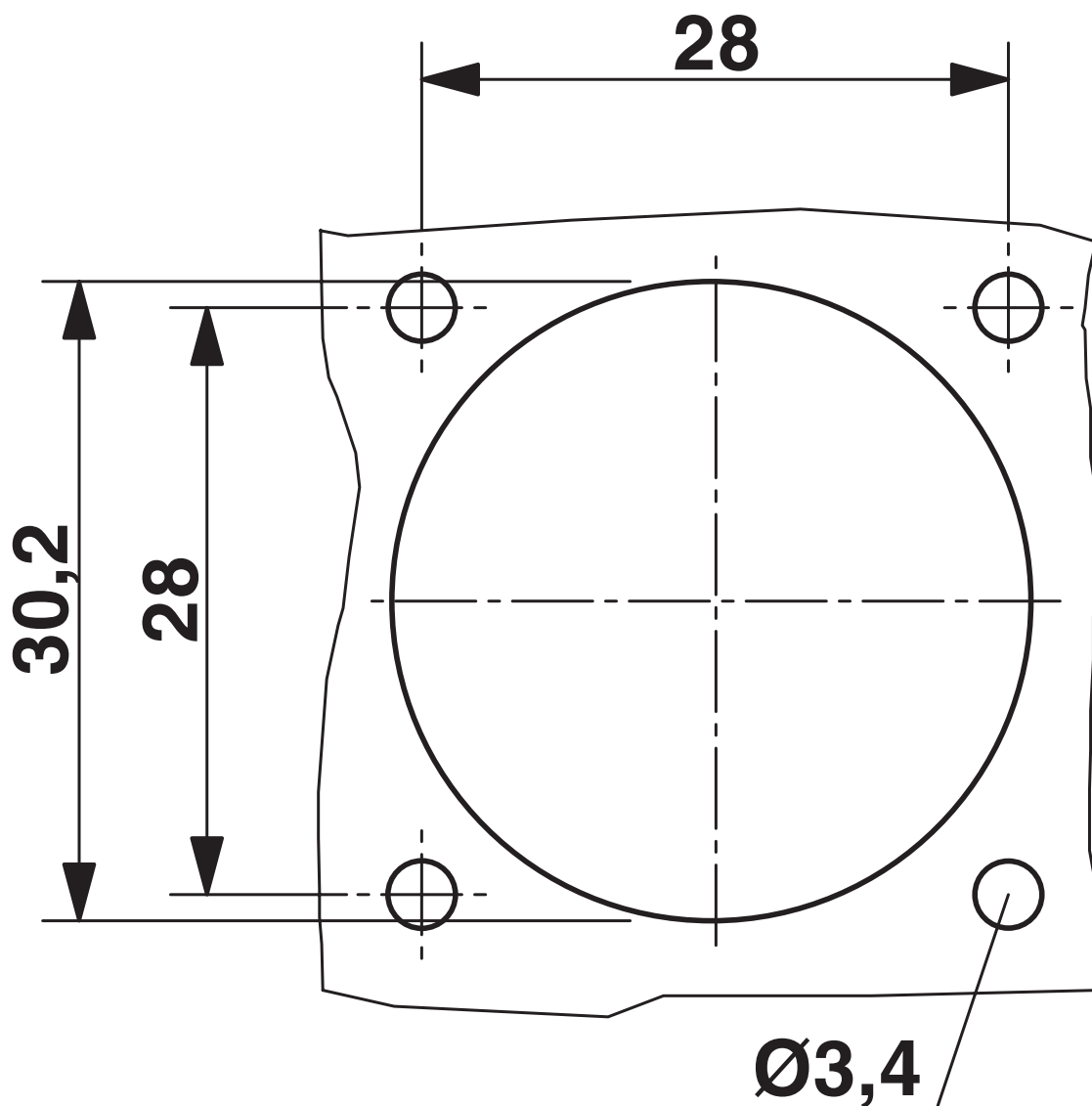
Degree of protection	IP65/IP67
Ambient temperature (operation)	-40 °C ... 80 °C

Mounting

Mounting type	Front mounting
---------------	----------------

Drawings

Dimensional drawing



Mounting cutout

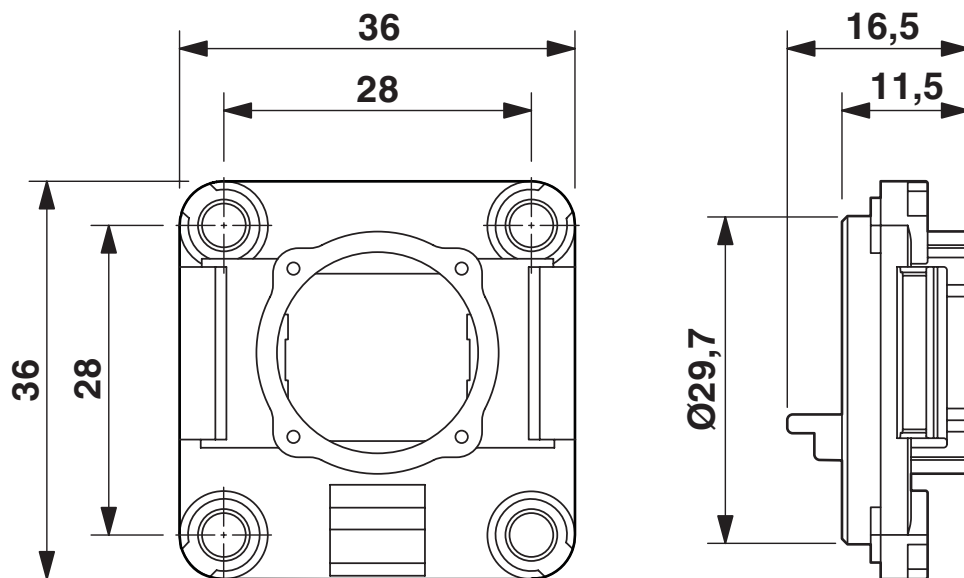
VS-SCRJ-A-TC-IP67 - Panel mounting frames



1658545

<https://www.phoenixcontact.com/us/products/1658545>

Dimensional drawing



VS-SCRJ-A-TC-IP67 - Panel mounting frames



1658545

<https://www.phoenixcontact.com/us/products/1658545>

Classifications

ECLASS

ECLASS-11.0

27440210

ETIM

ETIM 8.0

EC002310

UNSPSC

UNSPSC 21.0

39121400

VS-SCRJ-A-TC-IP67 - Panel mounting frames



1658545

<https://www.phoenixcontact.com/us/products/1658545>

Environmental product compliance

EU RoHS

Fulfills EU RoHS substance requirements	Yes, No exemptions
---	--------------------

China RoHS

Environment friendly use period (EFUP)	EFUP-E
	No hazardous substances above the limits

EU REACH SVHC

REACH candidate substance (CAS No.)	No substance above 0.1 wt%
-------------------------------------	----------------------------

VS-SCRJ-A-TC-IP67 - Panel mounting frames

1658545

<https://www.phoenixcontact.com/us/products/1658545>

Accessories

VS-SCRJ-GOF-FA-IP67 - FO connectors

1657083

<https://www.phoenixcontact.com/us/products/1657083>



SC-RJ fiber optic connector, IP67, duplex, with fast connection technology, for multimode fiberglass 50/125 μm , for an individual wire diameter of 600 and 900 μm , for a cable diameter of 5.0 mm ... 8.5 mm

VS-SCRJ-POF-FA-IP67 - FO connectors

1657009

<https://www.phoenixcontact.com/us/products/1657009>



FO connectors, degree of protection: IP67, number of positions: 2, MM, material: Plastic, cable outlet: straight, color: gray

VS-SCRJ-A-TC-IP67 - Panel mounting frames



1658545

<https://www.phoenixcontact.com/us/products/1658545>

VS-08-SD-F - Protective cover

1652606

<https://www.phoenixcontact.com/us/products/1652606>

Protective cover, IP67, flat design, to cover the contact insert in the panel mounting frame, color: gray



Phoenix Contact 2024 © - all rights reserved

<https://www.phoenixcontact.com>

Phoenix Contact USA
586 Fulling Mill Road
Middletown, PA 17057, United States
(+717) 944-1300
info@phoenixcon.com