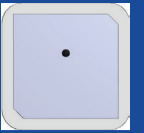


2.4 GHz RHCP Polarized WiFi/Bluetooth Patch Antenna



APAGM2525-S2450



25.0 x 25.0 x 4.0mm
RoHS/RoHS II Compliant
 MSL - N/A

FEATURES

- Right hand circular polrization
- Low VSWR
- High gain of 4.5 dBi
- Not sensitive to orientation

APPLICATIONS

- WiFi/Bluetooth/BLE/Zigbee/ISM
- Mobile applications
- Drones, robotics
- IoT applications
- VR/AR applications
- Industrial controls

Electrical Specifications

Parameters	Min.	Typ.	Max.	Units	Note
Frequency Range		2400-2500		MHz	
Center Frequency		2450±5		MHz	With 70x70 GND plane
Bandwidth	60			MHz	Return loss ≤-10dB
VSWR			1.5		@ CF
Polarization	RHCP				Right Hand Circular Polarization
Impedance		50		Ω	
Gain		4.5		dBi	Zenith
Axial Ratio			5	dB	
Frequency Temperature Coefficient		0±10		ppm/°C	

Structure and Material

Description	Material
Antenna Substrate	Dielectric Ceramics
Pin	Copper and Tin Plated
Electrode	Ag Plated
Ground Base	Ag Plated
Adhesive Type	NITTO 5000NS

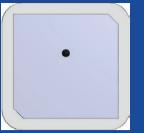


5101 Hidden Creek Ln Spicewood TX 78669
 Phone: 512-371-6159 | Fax: 512-351-8858
 For terms and conditions of sales, please visit:
www.abracon.com

REVISED: 08.15.2018

ABRACON IS
 ISO9001-2015
 CERTIFIED

2.4 GHz RHCP Polarized WiFi/Bluetooth Patch Antenna

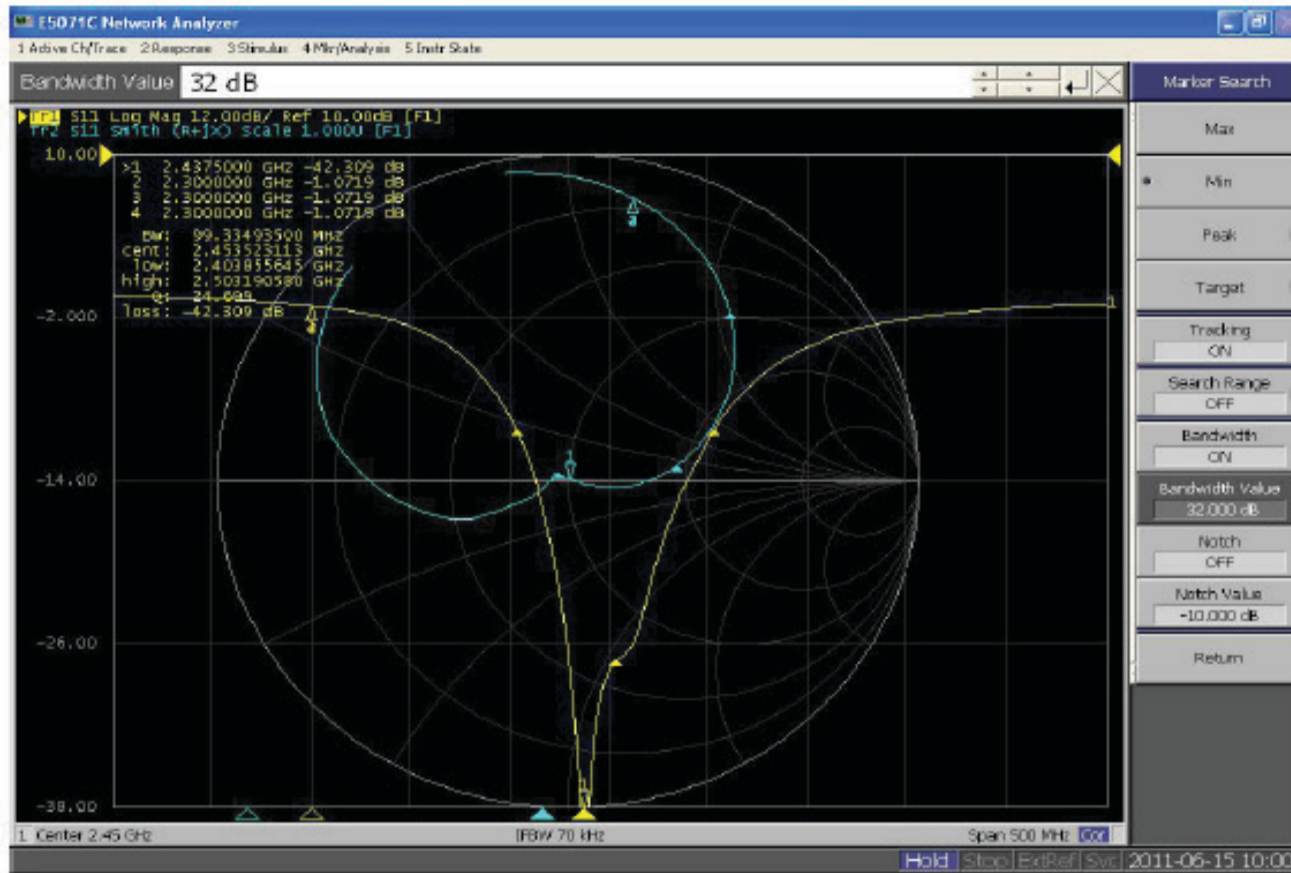


APAGM2525-S2450



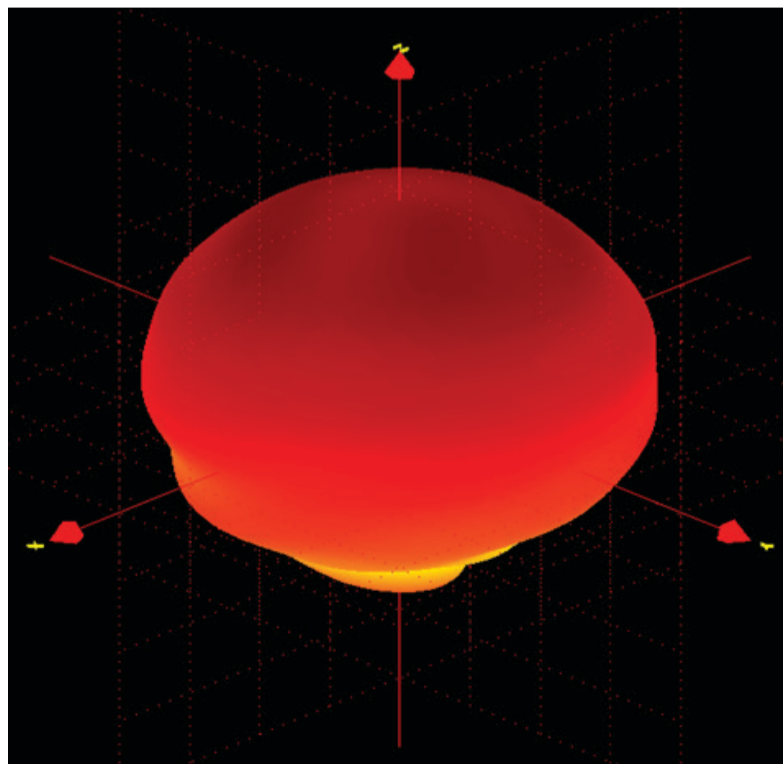
25.0 x 25.0 x 4.0mm
RoHS/RoHS II Compliant
MSL - N/A

Return Loss Characteristics and Smith Chart



Radiation Pattern

Antenna 3D Pattern @ 2450 MHz



5101 Hidden Creek Ln Spicewood TX 78669
Phone: 512-371-6159 | Fax: 512-351-8858
For terms and conditions of sales, please visit:
www.abracon.com

REVISED: 08.15.2018

ABRACON IS
ISO9001-2015
CERTIFIED

2.4 GHz RHCP Polarized WiFi/Bluetooth Patch Antenna

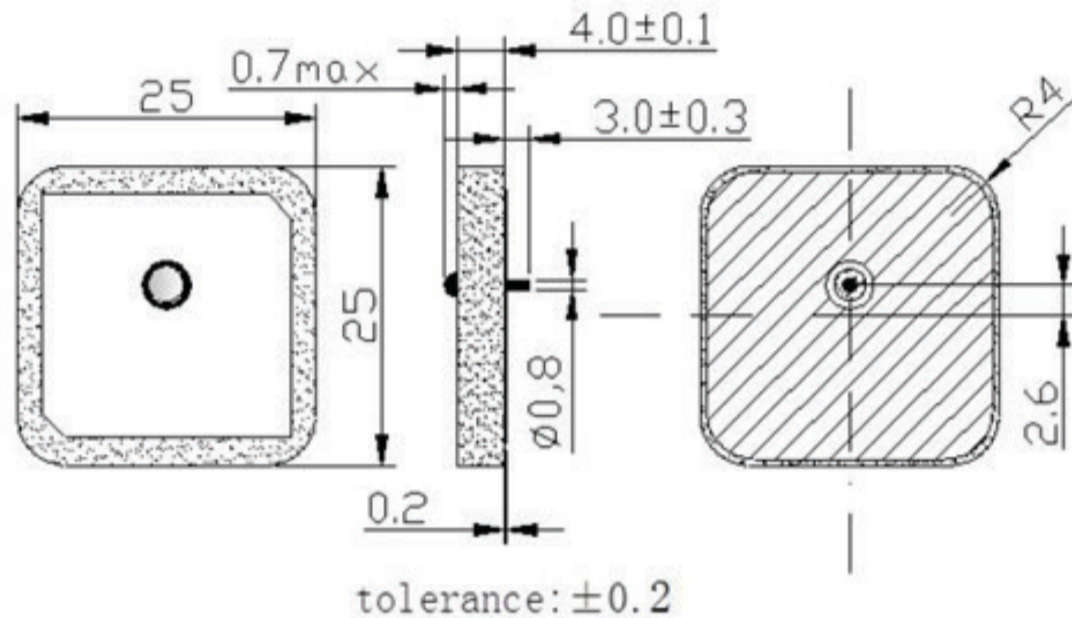


APAGM2525-S2450



25.0 x 25.0 x 4.0mm
RoHS/RoHS II Compliant
 MSL - N/A

Dimensions

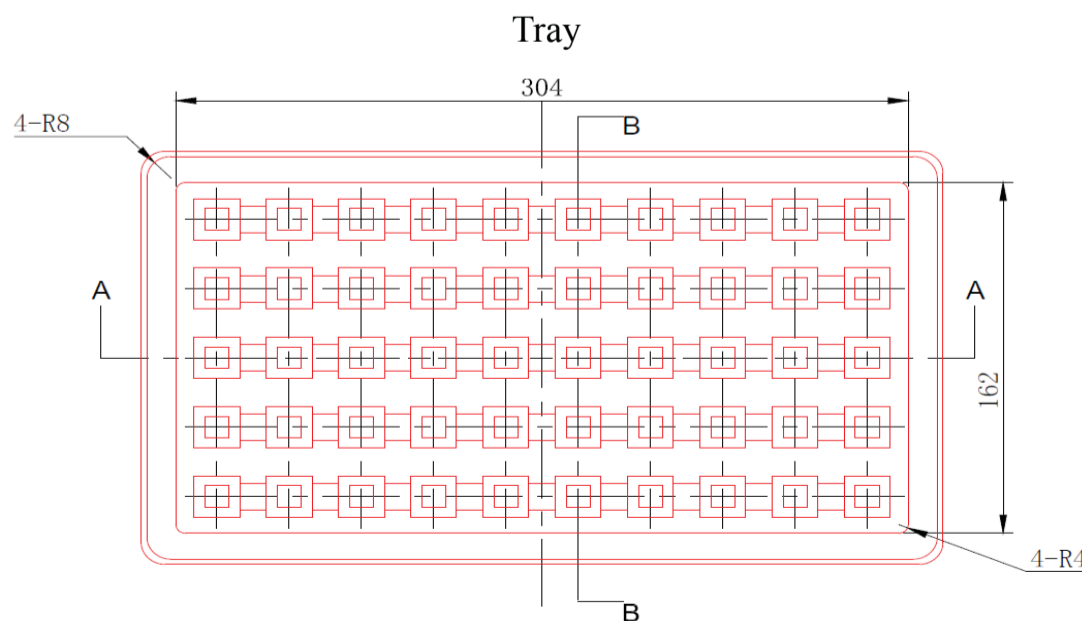


Unit: mm

Packaging

Each tray contains 50 pcs of antenna, 5 trays in a vacuum bag, and 4 vacuum bags in a carton. Each carton contains 1,000 pcs of antenna and the size of the carton is 345 x 210 x 260 mm.

Package Type	Quantity
Tray	50 pcs/tray
Vacuum Bag	5 trays/vacuum bag
Carton	4 vacuum bag/carton
Carton	1000 pcs/box



Unit: mm

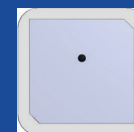


5101 Hidden Creek Ln Spicewood TX 78669
 Phone: 512-371-6159 | Fax: 512-351-8858
 For terms and conditions of sales, please visit:
www.abracon.com

REVISED: 08.15.2018

ABRACON IS
 ISO9001-2015
 CERTIFIED

2.4 GHz RHCP Polarized WiFi/Bluetooth Patch Antenna



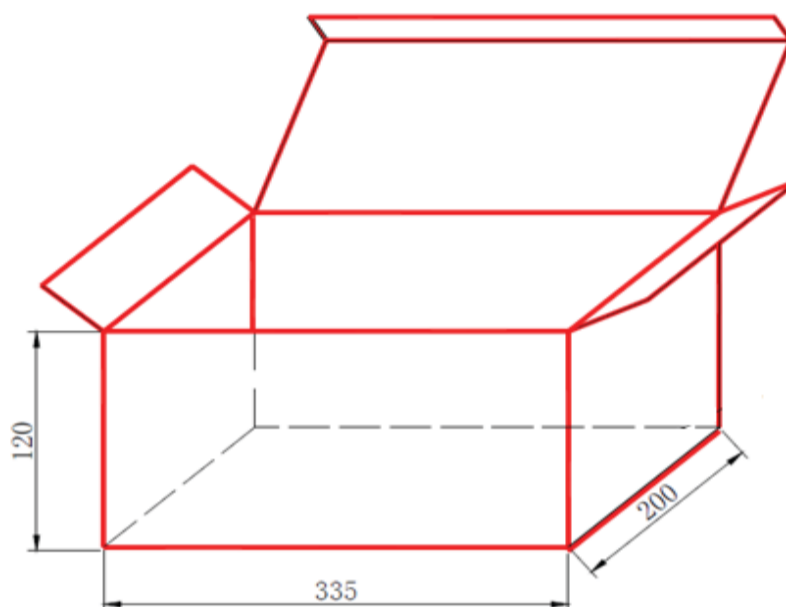
APAGM2525-S2450



25.0 x 25.0 x 4.0mm
RoHS/RoHS II Compliant
MSL - N/A

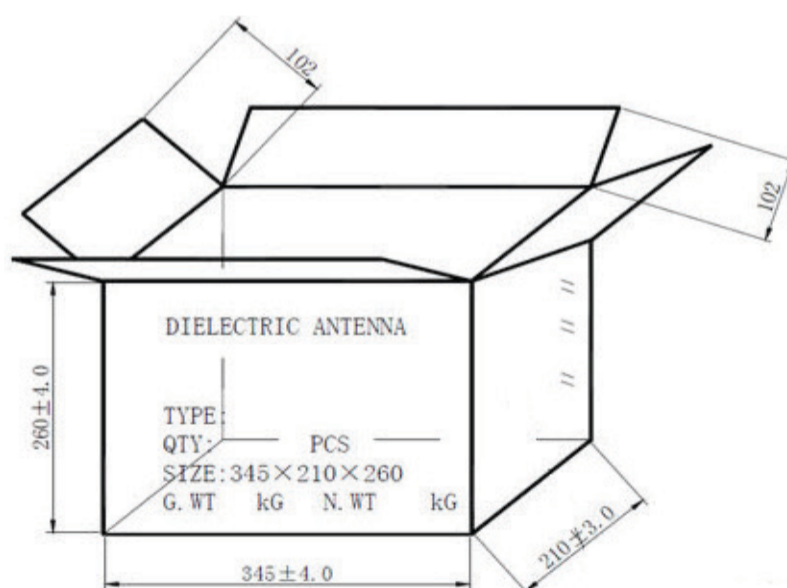
Packaging

Inner Box



Unit: mm

Outer Box



Unit: mm