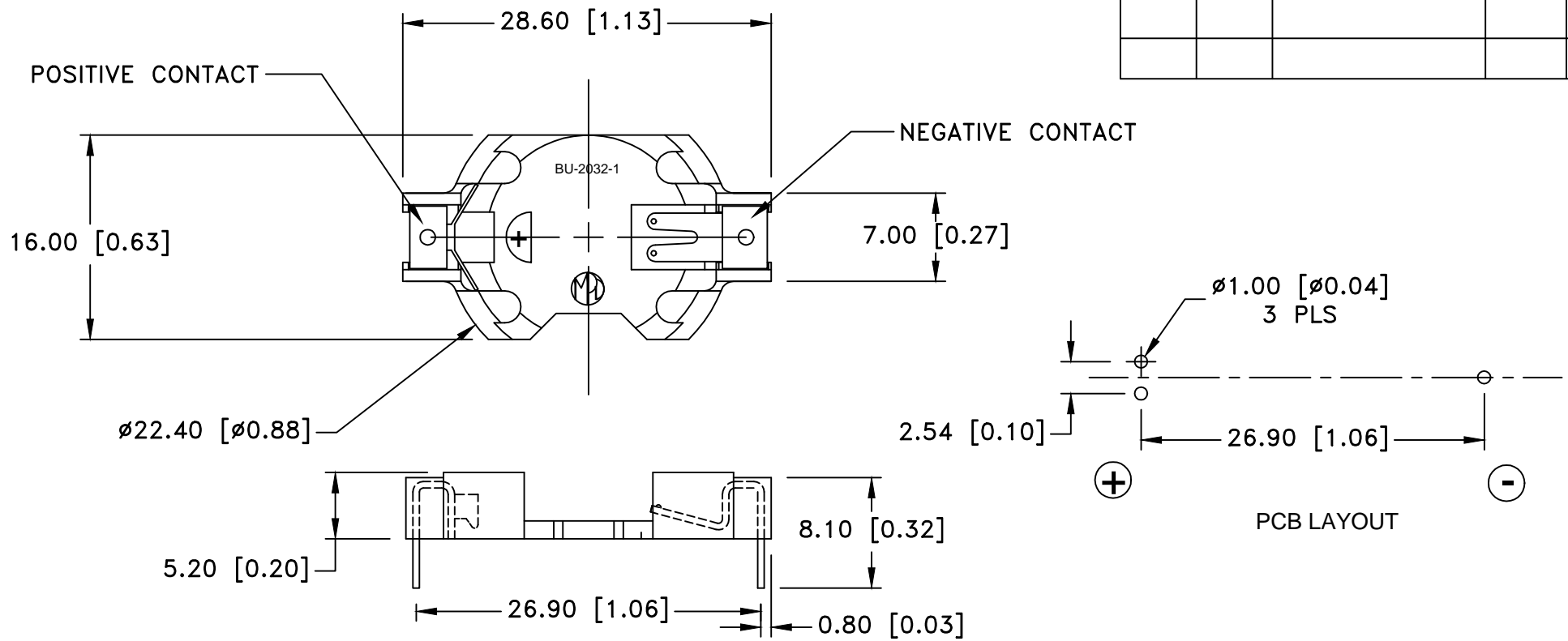



Date	SYM	REVISION RECORD	AUTH	DR.	CK.
8/11/07	C	Updated Specifications	T.B.	B.S.	
6/06/08	D	Temperature range was -40°C to +315°C	T.B.	B.S.	
9/01/17	E	Added Battery part no. Updated Material	T.B.	B.S.	



SPECIFICATIONS:

- * Holder material- Off White, 30% glass reinforced Liquid Crystal Polymer resin, UL File No. E344082, UL94V-0
- * Contacts : Stainless Steel 301, spring temper, Nickel Plated,
- * Temperature range: -40°C to +280°C
- * Vibration Test: 10-50-10 Hz swept in 60 seconds
X,Y,Z direction: 1 hour each direction
- * Result: No dislodgement of the cell or damage
No discontinuity over 10 micro-seconds
- * Shock Test: Half sine wave acceleration 150G. 6 micro-seconds
3 shock pulses each direction per axis, total of 18 pulses
- * Result: No evidence of physical damage
- * ROHS COMPLIANT

CELL SIZE	RETAINS BATTERY NUMBERS		
20mm Dia. 43.2mm High	CR2032, DL2032, ECR2032, LIR2032		
Tolerance (Except as noted)	 Memory Protection Devices, Inc 200 Broad Hollow Road, Farmingdale, New York 11735		
decimal $\pm .5$ (.020)	Scale	Drawn By B.S.	
Fractional $\pm .8$ (.030)	Title	Approved By T.B.	
Angular $\pm 3^\circ$	Date	Drawing Number	
	9/01/17	BU2032-1	