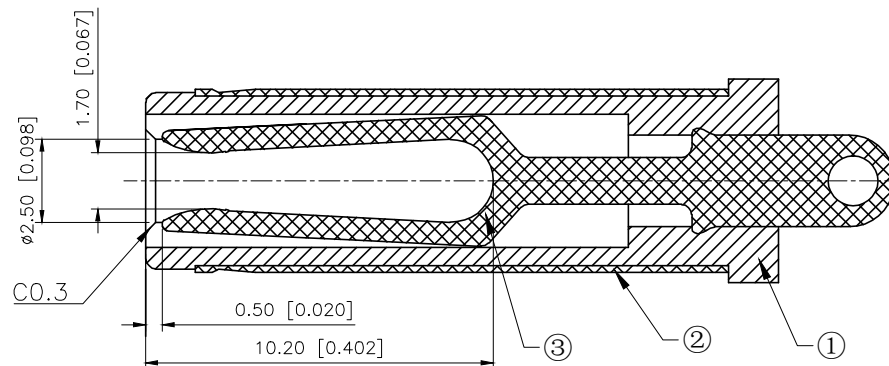
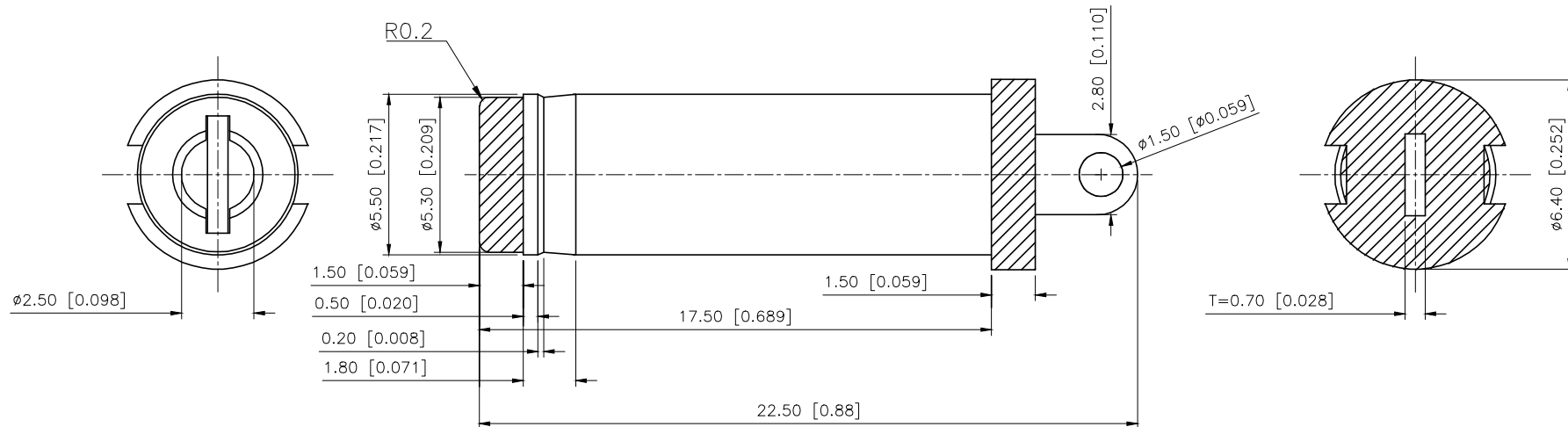


REVISIONS					
REV.	ECN NO.	LOCATION	DESCRIPTION	DATE	DESIGN
A0	N/A		INITIAL RELEASE	/	/
A1	N/A		图面升级整理图面	2025.07.01	阿树



Technolo Request:
 1.Outlook:
 NO burr,no hurt.
 2.Electronic performance:
 a:Insulation resistance:
 Above DC500V/100MΩ;
 b:Endure voltage:
 AC500V at 1 minute;
 c:Contact resistance:
 Under 30MΩ;
 3.Insertion fore & withdrawal force;0.3-3kgf.
 4.Salt spray test :24H.
 5.Meet RoHS.

Terminal	Phosphor Bronze	Ni
Fork hook tube	H65	Ni
Plastic	PBT	Black
PAPT NAMF	MATERIAL	PLATING

AuGLAR	±5°
X.	±0.40
X.x	±0.30
X.xx	±0.20
X.xxx	±0.15
UNSPECIFIED TOLERAUCES	



DESIGN	阿树	VIEW:		MODEL TYPE:	DC PIUG
CHECKED		UNIT:	mm/in	PART NO.:	DT-2255525
APPROVED		SIZE:	A4	DWG NO.:	