

NOTES1:

- UL Standard
- 1. Rated voltage/current : 300V / 41A
- 2. Withstanding voltage : AC1600V/1Min.

IEC Standard

1. Pollution degree	2	2	3
Overvoltage category	II	III	III
Rate impulse voltage(KV)	6KV	6KV	6KV
Rate voltage(V)	1000V	630V	630V
Rate current(A)		41A	630V

NOTES2:

- 1. Dimension shall be interpreted per ASME Y14.5-2009
- 2. Pitch : 7.62mm, Poles : N=02~12P
- 3. Operating temperature : -40°C~+105°C
- 4. Undimensioned tolerances:

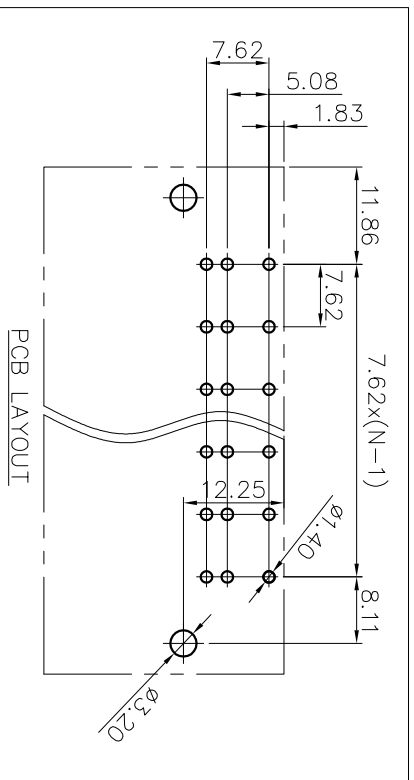
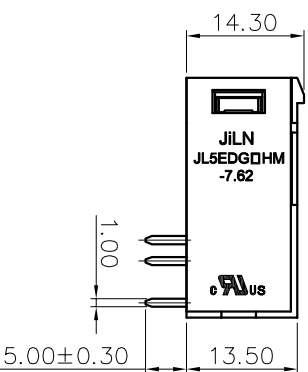
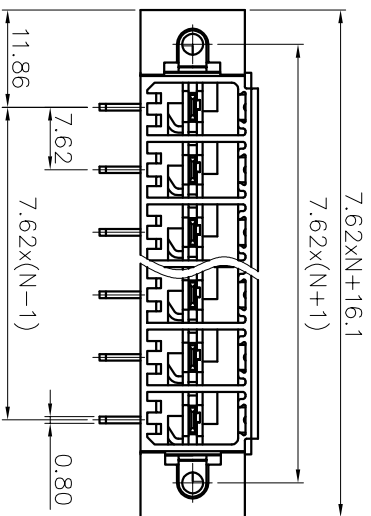
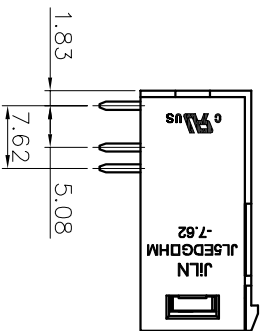
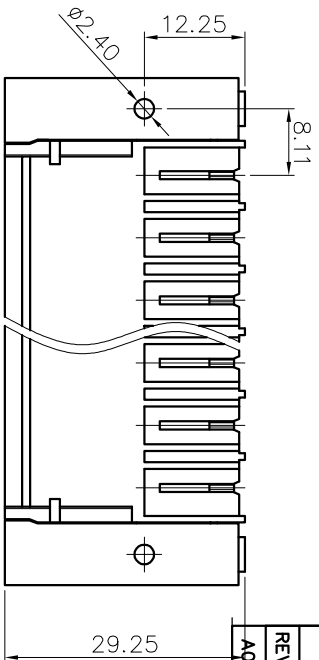
Pitch range in mm	Nominal dimension range in mm			Tolerance
	Over	TO	Under	
6	TO	30	TO	0.1/10
10	TO	60	TO	0.1/10
24	TO	100	TO	0.1/10
30	TO	150	TO	0.1/10
±0.15±0.20±0.30±0.50±0.70±1.00±1.30 ±2'				

5. RoHS Compliance

Ordering Information

JL5EDGRHM-762 XX G 0 1

Pitch 762=7.62PH
 No. of pins 2P, 3P, 4P~12P
 Housing Color B=Black, G=Green, U=Blue, R=Red, V=White, Y=Yellow, D=Drange, E=Grey
 Packing 0=Pe, bag, T=Tube, A=Tray



REVISION RECORD			
REV	ECN	DESCRIPTION	DATE
A0		NEW	20.12.02

DRAW	SHUANGPING ZHENG		SCALE	FIT	PART NO.	JL5EDGRHM-762XXG01
	UNIT	mm				
CHECK	LICHAD LIU		SIZE	SHEET	TITLE:	JL5EDGRHM-7.62-XXP 插拔式公座/带耳/绿色/弯脚
	APPROVE	YONGLIANG GAO				
DRAW		SHUANGPING ZHENG	SCALE	FIT	PART NO. JL5EDGRHM-762XXG01	
CHECK		LICHAD LIU	UNIT	mm	TITLE: JL5EDGRHM-7.62-XXP 插拔式公座/带耳/绿色/弯脚	
APPROVE		YONGLIANG GAO	SIZE	A4		
			SHEET	1/1		
			PRD			

JILN 东莞市锦凌电子有限公司
 DONGGUAN JINLING ELECTRONIC CO., LTD