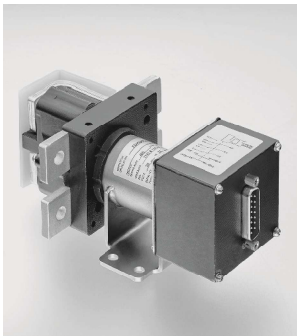


## K400 Series, Rated up to 400 Amps, 28 Vdc



### Product Facts

- 1.88 to 2 lbs. (854 to 908 grams) depending on style selected
- < 30 cubic inches (490 cm<sup>3</sup>) volume
- 400 A make/carry/break
- 4000 A rupture
- 28 VDC
- One NO and one NC
- Electronically economized to reduce power
- Configuration flexibility
- Multiple mounting options
- -55°C to +70°C operating temperature range
- Meets applicable requirements of MIL-PRF-6106M

### Performance Data

#### Electrical Characteristics

**Main Contacts** —  
**Configuration** — One NO and one NC  
**Voltage** — 28 VDC  
**Current (Resistive Load)** — 400 A  
**Rupture Current** — 4000 A  
**Voltage Drop** — 150 mV max.  
**Auxiliary Contacts** —  
**Configuration** — SPDT  
**Number of Auxiliary Contacts** — 1 to 3  
**Voltage** — 28 VDC

#### Current:

Resistive Load — 5 A  
 Inductive Load — 1 A

**Bounce** — 5 ms at 28 VDC, 25°C

**Dielectric Withstand** — 1000 V<sub>rm</sub>

### General Characteristics

**Operating Temperature** — -55°C to +70°C

**Ground Survivability Temperature** — -55°C to +85°C

**Altitude** — 55,000 ft.

**Decompression** — 55,000 ft.

**Electrical Life** — 50,000 cycles

**Mechanical Life** — 100,000 cycles

**Mounting Styles** — Chassis, captive screw, or bus bar

**Weight** — 1.88 to 2 lb. (854 to 908 g) depending on style

### Coil Characteristics

**Duty Cycle** — Continuous (Electronic Economized)

**Pickup Voltage** — 18 VDC nom., 20 VDC max. at 85°C

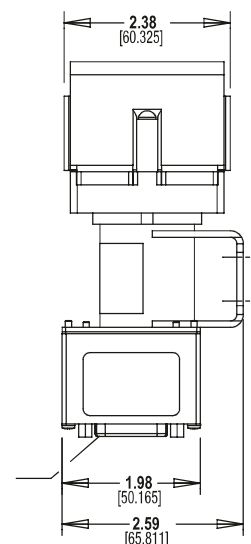
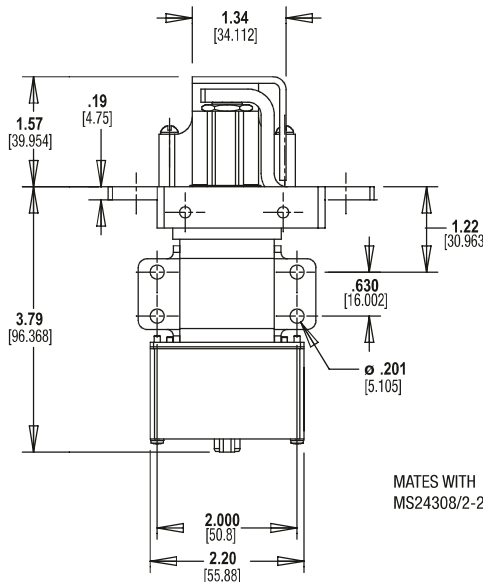
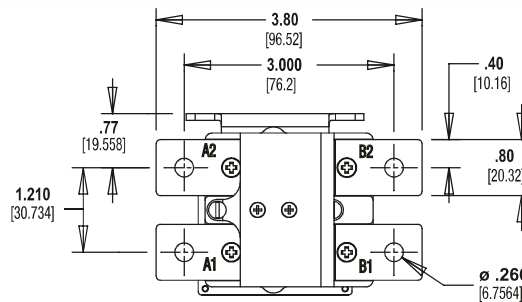
**Max. Operating Voltage** — 32 VDC

**Dropout Voltage** — 1.5 to 7 VDC

**Inrush Current** — 12 A max. (100 ms)

**Pickup and Dropout Time** — 25 ms at 25°C

**Suppression** — ±42 V



MATES WITH MS24308/2-2

Style	Description	Part No.
Chassis Mount	KD400A7C	1616986-6
Bus Mount	KD400B2C2	1-1616989-7