



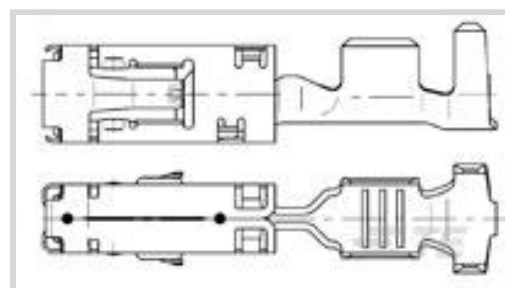
AMP | 1.5/2.8 Connector System, Sensor Flat Contact System

TE Internal #: 967543-2

Receptacle, Mating Tab Width 2.8 mm [.11 in], Tab Thickness .8 mm [.031 in], 17 – 13 AWG Wire Size, Sensor Flat Contact System, Automotive Terminals

[View on TE.com >](#)

Terminals & Splices > Automotive Terminals > AMP MCP, SFC, RECEPTACLE



Terminal Type: **Receptacle**

Mating Tab Width: **2.8 mm [.11 in]**

Mating Tab Thickness: **.8 mm [.031 in]**

Terminal Transmits: **0 – 24 A (Low Power)**

Wire Size: **17 – 13 AWG**

[All AMP MCP, SFC, RECEPTACLE \(19\)](#)

Features

Product Type Features

Receptacle Style	180°
Sealable	Yes
Primary Locking Feature	Clean Body

Body Features

Terminal Seal Type	Single Wire Seal (SWS)
--------------------	------------------------

Contact Features

Contact Size	2.8mm
Contact Fabrication	Stamped & Formed
Wire Contact Termination Area Plating Material	Tin
Typical Current Rating	24 A
Crimp Type	F-Crimp
Terminal Type	Receptacle
Mating Tab Width	2.8 mm[.11 in]
Mating Tab Thickness	.8 mm[.031 in]
Interface Plating	Gold (Au)

Termination Features

Termination Method to Wire & Cable	Crimp
------------------------------------	-------



Product Terminates To	Wire
-----------------------	------

Dimensions

Compatible Insulation Diameter Range	1.9 – 3 mm [.074 – .117 in]
--------------------------------------	-----------------------------

Wire Size	1 – 2.5 mm ²
-----------	-------------------------

Wire Size Search	13 AWG, 14 AWG, 15 AWG, 16 AWG, 17 AWG
------------------	----------------------------------------

Usage Conditions

Insulation Option	Uninsulated
-------------------	-------------

Operating Temperature (Max)	80 °C, 85 °C, 90 °C, 100 °C, 105 °C, 110 °C, 120 °C, 125 °C, 130 °C, 140 °C, 145 °C, 150 °C [176 °F][185 °F][194 °F][212 °F][221 °F][230 °F][248 °F][257 °F][266 °F][284 °F][293 °F][302 °F]
-----------------------------	----------------------------------------------------------------------------------------------------------------------------------------------------------------------------------------------

Operating Temperature Range	-40 – 150 °C [-40 – 302 °F]
-----------------------------	-----------------------------

Operation/Application

Compatible With Wire Base Material	Copper
------------------------------------	--------

Industry Standards

Compatible With Agency/Standards Products	LV214
-------------------------------------------	-------

Packaging Features

Packaging Quantity	4000
--------------------	------

Packaging Method	Reel
------------------	------

Other

Terminal Transmits	0 – 24 A (Low Power)
--------------------	----------------------

Product Compliance

[For compliance documentation, visit the product page on TE.com>](#)

EU RoHS Directive 2011/65/EU	Compliant
------------------------------	-----------

EU ELV Directive 2000/53/EC	Compliant
-----------------------------	-----------

China RoHS 2 Directive MIIT Order No 32, 2016	No Restricted Materials Above Threshold
-----------------------------------------------	-----------------------------------------

EU REACH Regulation (EC) No. 1907/2006	Current ECHA Candidate List: JUNE 2024 (241) Candidate List Declared Against: JUNE 2024 (241) Does not contain REACH SVHC
----------------------------------------	---------------------------------------------------------------------------------------------------------------------------------

Halogen Content	Low Halogen - Br, Cl, F, I < 900 ppm per
-----------------	------------------------------------------

homogenous material. Also BFR/CFR/PVC Free

Solder Process Capability

Not applicable for solder process capability

Product Compliance Disclaimer

This information is provided based on reasonable inquiry of our suppliers and represents our current actual knowledge based on the information they provided. This information is subject to change. The part numbers that TE has identified as EU RoHS compliant have a maximum concentration of 0.1% by weight in homogenous materials for lead, hexavalent chromium, mercury, PBB, PBDE, DBP, BBP, DEHP, DIBP, and 0.01% for cadmium, or qualify for an exemption to these limits as defined in the Annexes of Directive 2011/65/EU (RoHS2). Finished electrical and electronic equipment products will be CE marked as required by Directive 2011/65/EU. Components may not be CE marked. Additionally, the part numbers that TE has identified as EU ELV compliant have a maximum concentration of 0.1% by weight in homogenous materials for lead, hexavalent chromium, and mercury, and 0.01% for cadmium, or qualify for an exemption to these limits as defined in the Annexes of Directive 2000/53/EC (ELV). Regarding the REACH Regulation, the information TE provides on SVHC in articles for this part number is based on the latest European Chemicals Agency (ECHA) 'Guidance on requirements for substances in articles' posted at this URL: <https://echa.europa.eu/guidance-documents/guidance-on-reach>

Compatible Parts



TE Part # 4-1579007-3
EXTRACTION TOOL KIT



TE Part # 1579007-1
AUSRUECKWERKZEUG



TE Part # 2050046-1
2POS 2.8MM SENSOR PLUG ASSY.



TE Part # 828905-1
SINGLE-WIRE-SEAL(5MM HOLE)



TE Part # 828904-2
SINGLE WIRE SEAL FOR J.P.T.CON



TE Part # 1976143-1
SDE COMMERCIAL TOOL OR DIE



TE Part # CAT-AM705-CH8172
AMP MCP, SEALED CONNECTOR HOUSING



TE Part # 2151346-1
OCEAN_2.0_APPLICATOR-S-100F165O-RSM



TE Part # 1480968-1
ASSY 4 POSN. 2,8MM REC.



TE Part # 2050052-1
4POS 2.8MM SENSOR PLUG ASSY.



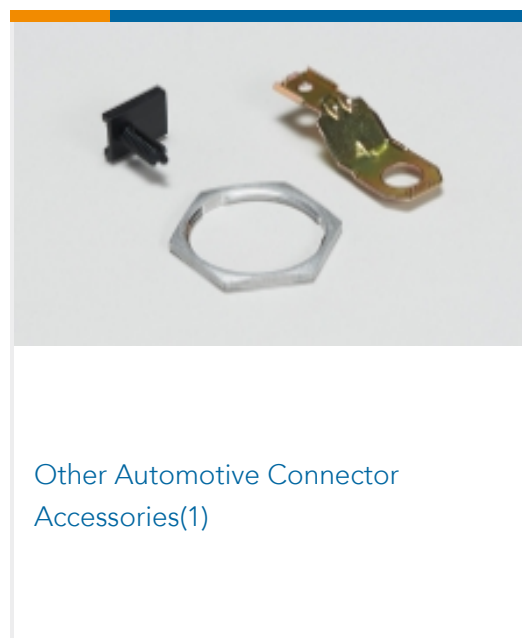
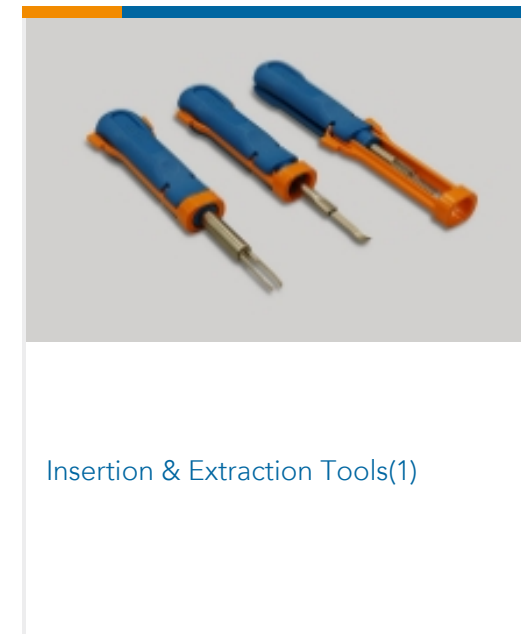
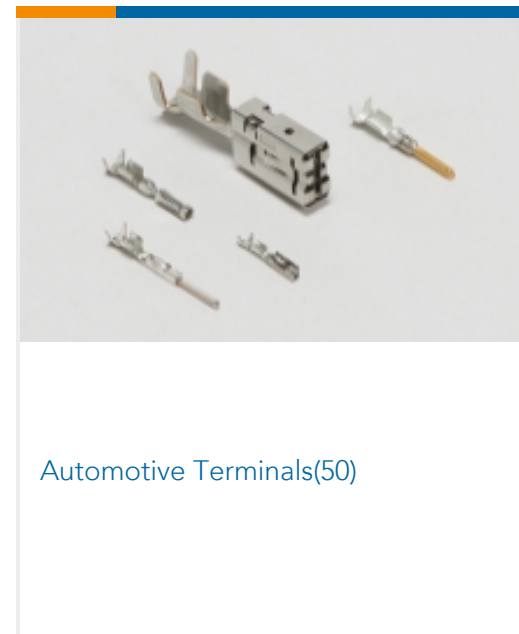
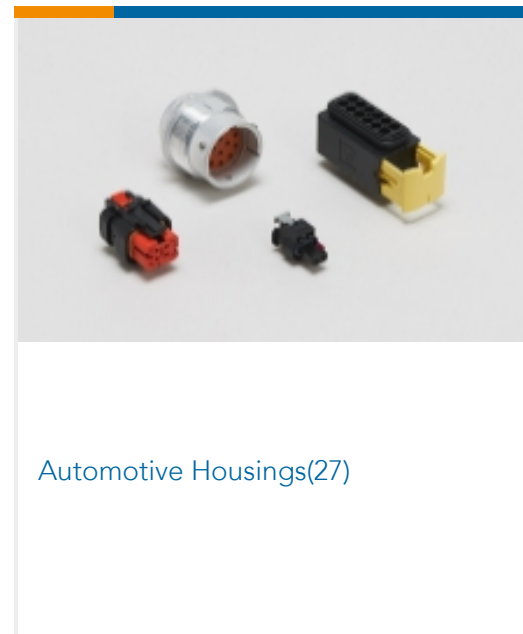
TE Part # 828904-1
SINGLE WIRE SEAL FOR J.P.T.CON



TE Part # 1-2333508-1
AMP MCP 2.8 SOCKET HSG 21 POS SEALED



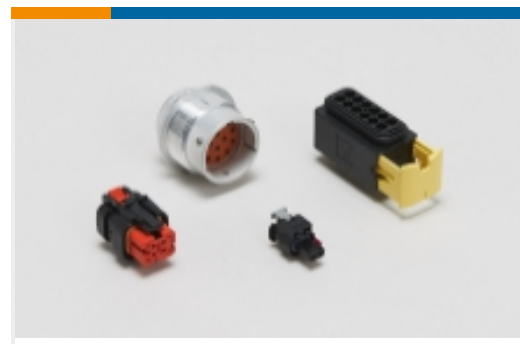
Also in the Series | **1.5/2.8 Connector System**



Also in the Series | **Sensor Flat Contact System**



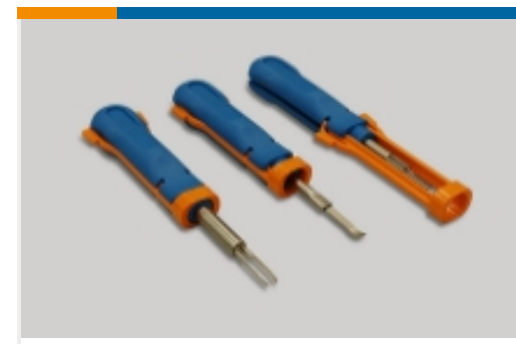
Automotive Connector Caps & Covers (9)



Automotive Housings(42)



Automotive Terminals(18)

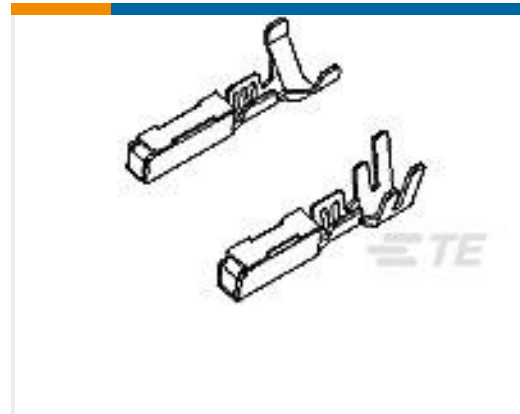


Insertion & Extraction Tools(7)

Customers Also Bought



TE Part #1746865-1
0.64III/2.3II 30POS PLUG ASSY



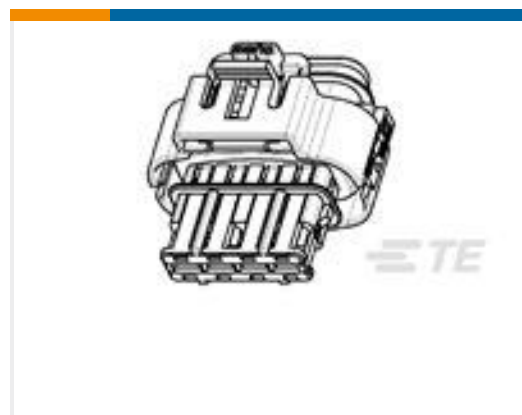
TE Part #175094-1
O4O HYBRID I/O REC CONT 24-20



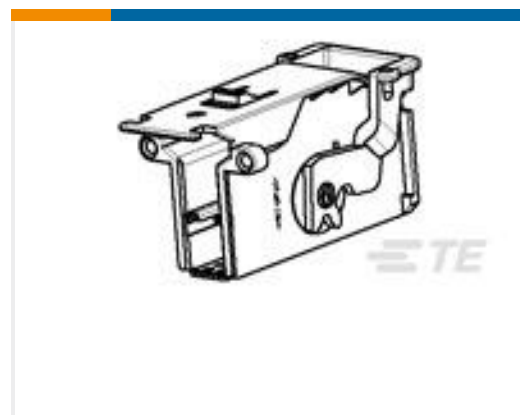
TE Part #171630-5
E-J MK-2 070 REC CONT



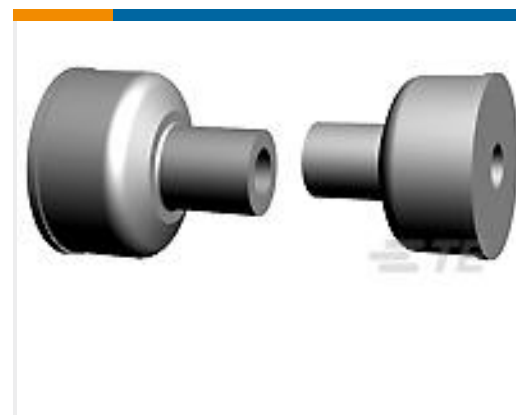
TE Part #2066034-2
AMP MCP, SEALED CONNECTOR HOUSING



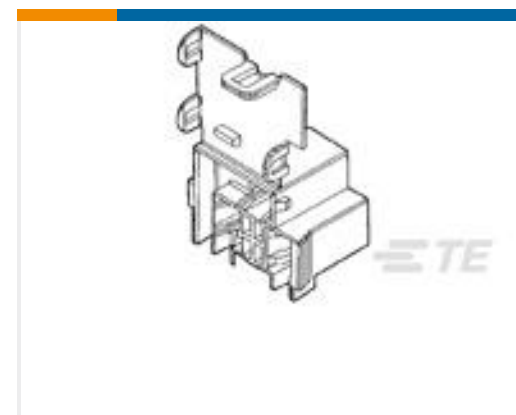
TE Part #1480968-1
ASSY 4 POSN. 2,8MM REC.



TE Part #1534222-1
MOS COVER 2X16P



TE Part #347713-1
2.0MM CABLE SEAL HC SILIC



TE Part #353752-2
HEAD LAMP CONNECTOR .312 (7.92 MM)



TE Part #2066559-1
REAR LOCK, ENGINE COMPT FRB

Documents

[Product Drawings](#)
[SENS FLA-KONT 2,8](#)

English

[SENS FLA-KONT 2,8](#)

English

[SENS FLA-KONT 2,8](#)

English

[SENS FLA-KONT 2,8](#)



English

CAD Files

Customer View Model

[ENG_CVM_967543-2_C5.3d_igs.zip](#)

English

Customer View Model

[ENG_CVM_967543-2_C5.3d_stp.zip](#)

English

Customer View Model

[ENG_CVM_967543-2_C5.2d_dxf.zip](#)

English

3D PDF

English

By downloading the CAD file I accept and agree to the [Terms and Conditions](#) of use.

Product Specifications

[Application Specification](#)

German

[Application Specification](#)

English

[Application Specification](#)

English