

# Screw Terminal Blocks

Part number: **10134294-001LF**

Screw multilevel terminal blocks - Grey  
Screw connection - 2.5mm<sup>2</sup> / 14AWG - Width 5mm



## GENERAL DATA

Item	<b>10134294</b>
Weight/Piece	<b>17.6 g</b>
Colour	<b>Grey</b>
Q.ty p.pck.	<b>25</b>

## TECHNICAL DATA / DIMENSIONS

### Dimensions

Width mm	5
Length mm	78.5
Height mm	47.5
Mounting type (EN 60715)	Omega TH35

### Technical data

Maximum load current	24A
Insulating material	PA 66
Self-extinguishing degree acc. to UL94	V0
Rated surge voltage	6KV
Pollution degree	3
Surge voltage category	III
Insulating material group	I
Nominal Voltage	250V
Nominal Current	24A
Temperature index, insulating material – Elec. UL 746 B - RTI	130°C
Static insulating material lower permissible temperature	-60°C

### Connection data

Conductor cross-section solid min/max	0.50 / 2.5 mm <sup>2</sup>
Conductor cross-section stranded min/max	0.50 / 2.5 mm <sup>2</sup>

AWG min/max	26-14AWG
Max conductor cross-section stranded with ferrule with plastic sleeve	2.5 mm <sup>2</sup> / L=8 mm
Stripping length	max 6 mm
Screw	M2.5 – Zinc plated steel
Tightening torque	0.5Nm / 4.5 Lb-In
Clamp	Tin Plated copper alloy
Current bar	Tin Plated copper alloy

**APPROVALS**



**EN60947-7-1**

2.5mm<sup>2</sup> – 250V – 24A

**EN60068-2-11**

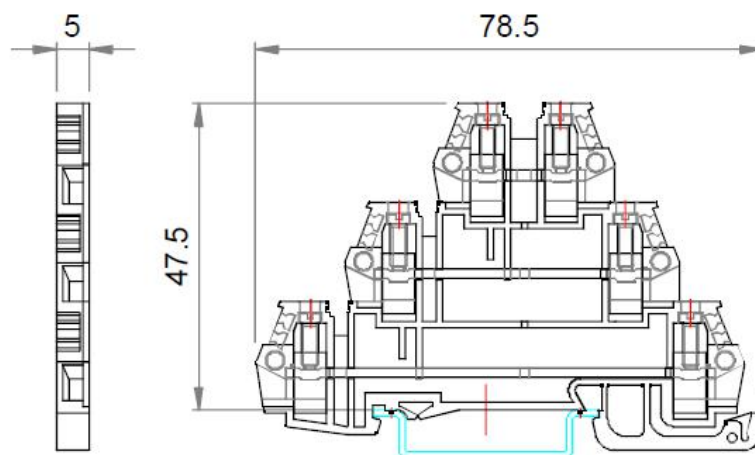
Salt mist test for 96 hours



**UL1059**

AWG 26-14 – 300V – 10A

**TECHNICAL DRAWINGS**



## ACCESSORIES

**Marking**

Item	Description
<b>10134398-001LF</b>	Single-digit marking tag (5 x 3 mm) - white
<b>10134398-002LF ~ 10134398-011LF</b>	Single-digit marking tag (5 x 3 mm) – with marking: 0 ~ 9
<b>10134398-012LF ~ 10134398-041LF</b>	Single-digit marking tag (5 x 3 mm) – with marking: A ~ Z
<b>10134402-001LF</b>	Marking tags (5 x 5.8 mm) - white ( <i>special marking on request</i> )

**DIN RAIL system - Mounting and Installation material**

Item	Description
<b>10134389-001LF</b>	End bracket width 9
<b>10134390-001LF</b>	End bracket width 6
<b>10134391-001LF</b>	Snap-on end bracket width 6

**Additional items**

Item	Description
<b>10134297-001LF</b>	End plate
<b>10134414-001LF</b>	Jumper bar 2 poles - pitch 5.1mm blue
<b>10134414-002LF</b>	Jumper bar 3 poles - pitch 5.1mm blue
<b>10134414-003LF</b>	Jumper bar 12 poles - pitch 5.1mm blue
<b>10134414-004LF</b>	Jumper bar 2 poles - pitch 5.1mm red
<b>10134414-005LF</b>	Jumper bar 3 poles - pitch 5.1mm red
<b>10134414-006LF</b>	Jumper bar 12 poles - pitch 5.1mm red
<b>10134271-005LF</b>	Ratchet cutting tool for jumper bar - blue/red - pitch 5.1mm