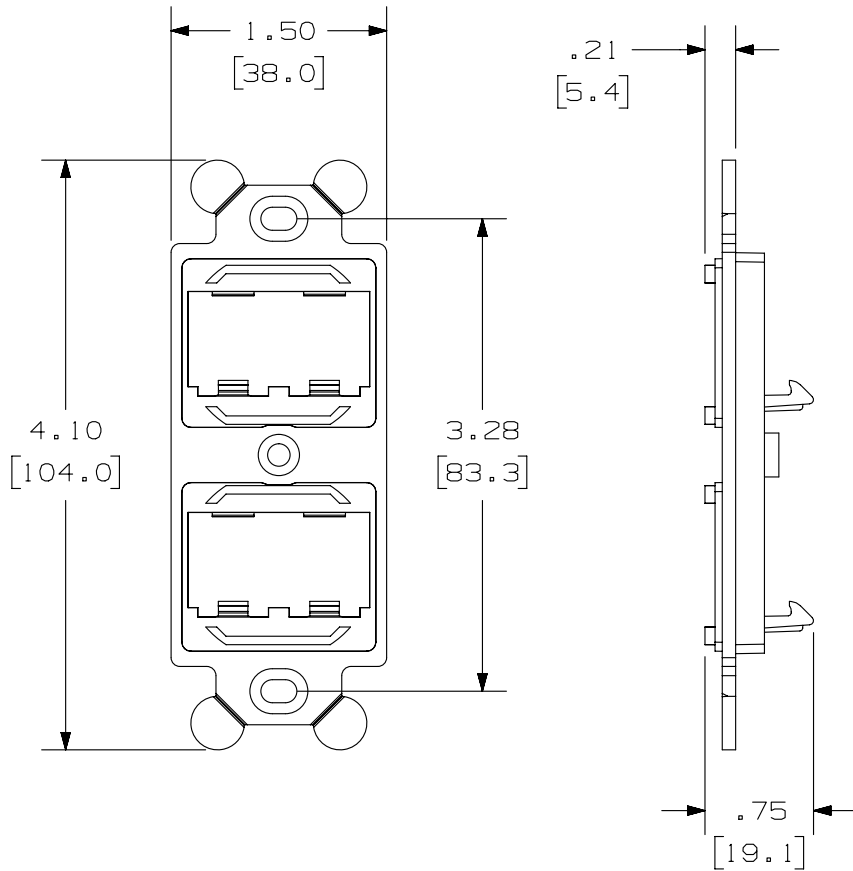


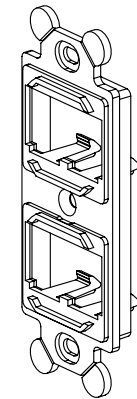
THIS COPY IS PROVIDED ON A RESTRICTED BASIS AND IS NOT TO BE USED IN ANY WAY DETRIMENTAL TO THE INTERESTS OF PANDUIT CORP.



PANDUIT P/N	WEIGHT
CF1064**Y	.29 LB/10 PCS (131.5 g/10 PCS)

NOTES:

- SEE CURRENT CATALOG FOR ADDITIONAL PART NUMBER SUFFIXES TO INDICATE COLOR AND OR PACKAGE QUANTITY.
- SEE CATALOG FOR COMPLETE LIST OF PARTS APPLICABLE FOR USE WITH THIS PART.
- DIMENSIONS IN PARENTHESES ARE IN METRIC.
- CF1064** INCLUDES:
1- 106 FRAME
2- MOUNTING SCREW



PART NUMBER		CF1064**Y	
TITLE		MINI-COM 4 POSITION "106" SERIES FRAME	
		CUSTOMER DRAWING	
ITEM REVISION NAME		M02479GS/00	
DATASET FILE NAME		M02479GS_DC177/00B	
UNLESS OTHERWISE SPECIFIED, DIMENSIONAL TOLERANCES ARE: IN [mm]		MATERIAL:	
.x ± .1 [2.54]		.xxx ± .005 [.127]	
.xx ± .01 [.25]		ANGLES ± 5°	
DRAWN BY		DATE	
JSP		4-26-06	
CHK		SCALE	
MJD		NONE	
DRAWING NUMBER:		SHT 1 OF 1	
02479-177		A	

REV	DATE	BY	CHK	APR	DESCRIPTION	ECN
1	3/11/14	JSP	REFR	MMR	A. REVISED DRAWING TITLE BLOCK.	02479-177
R	4-26-06	JSP	MJD	MJD	RELEASED TO PRODUCTION	02479-177

D10100DA/14

2

1

2

1

Mouser Electronics

Authorized Distributor

Click to View Pricing, Inventory, Delivery & Lifecycle Information:

Panduit:

[CF1064IGY](#) [CF1064BLY](#) [CF1064IWY](#) [CF1064WHY](#) [CF1064EIY](#)