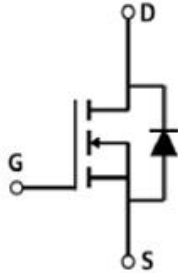
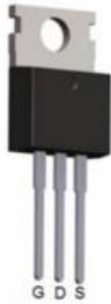


N-Channel Enhancement Mode Field Effect Transistor



TO-220

Product Summary

- V_{DS} 60V
- I_D 150A
- $R_{DS(ON)}$ (at $V_{GS}=10V$) <5.5mohm
- 100% UIS Tested
- 100% ∇V_{DS} Tested

General Description

- Trench Power MV MOSFET technology
- Excellent package for heat dissipation
- High density cell design for low $R_{DS(ON)}$

Applications

- DC-DC Converters
- Power management functions
- Industrial and Motor Drive applications

■ Absolute Maximum Ratings ($T_A=25^\circ C$ unless otherwise noted)

Parameter		Symbol	Limit	Unit
Drain-source Voltage		V_{DS}	60	V
Gate-source Voltage		V_{GS}	± 20	V
Drain Current	$T_C=25^\circ C$	I_D	150	A
	$T_C=100^\circ C$		105	
Pulsed Drain Current ^A		I_{DM}	500	A
Total Power Dissipation	$T_C=25^\circ C$	P_D	225	W
	$T_C=100^\circ C$		112	W
Single Pulse Avalanche Energy		E_{AS}	550	mJ
Thermal Resistance Junction-to-Case ^B		$R_{\theta JC}$	0.67	$^\circ C/W$
Junction and Storage Temperature Range		T_J, T_{STG}	-55~+175	$^\circ C$

■ Ordering Information (Example)

PREFERRED P/N	PACKING CODE	Marking	MINIMUM PACKAGE(pcs)	INNER BOX QUANTITY(pcs)	OUTER CARTON QUANTITY(pcs)	DELIVERY MODE
YJP150N06AQ	B1	YJP150N06AQ	50	/	5000	13" reel



YJP150N06AQ

■ Electrical Characteristics (T_J=25°C unless otherwise noted)

Parameter	Symbol	Conditions	Min	Typ	Max	Units
Static Parameter						
Drain-Source Breakdown Voltage	BV _{DSS}	V _{GS} = 0V, I _D =250μA	60			V
Zero Gate Voltage Drain Current	I _{DSS}	V _{DS} =60V, V _{GS} =0V			1	μA
					5	uA
Gate-Body Leakage Current	I _{GSS}	V _{GS} = ±20V, V _{DS} =0V			±100	nA
Gate Threshold Voltage	V _{GS(th)}	V _{DS} = V _{GS} , I _D =250μA	2.0	3.0	4.0	V
Static Drain-Source On-Resistance	R _{DS(ON)}	V _{GS} = 10V, I _D =75A		4.6	5.5	mΩ
Diode Forward Voltage	V _{SD}	I _S =40A, V _{GS} =0V		0.8	1.2	V
Maximum Body-Diode Continuous Current	I _S				150	A
Dynamic Parameters						
Input Capacitance	C _{iss}	V _{DS} =30V, V _{GS} =0V, f=1MHZ		4200		pF
Output Capacitance	C _{oss}			475		
Reverse Transfer Capacitance	C _{rss}			207		
Switching Parameters						
Total Gate Charge	Q _g	V _{GS} =10V, V _{DS} =30V, I _D =50A		69		nC
Gate-Source Charge	Q _{gs}			33		
Gate-Drain Charge	Q _{gd}			15		
Reverse Recovery Charge	Q _{rr}	I _F =40A, di/dt=100A/us		98		
Reverse Recovery Time	t _{rr}			53		
Turn-on Delay Time	t _{D(on)}	V _{GS} =10V, V _{DD} =30V, I _D =2A, R _L =15Ω R _{GEN} =3Ω		18		ns
Turn-on Rise Time	t _r			35		
Turn-off Delay Time	t _{D(off)}			44		
Turn-off fall Time	t _f			23		

A. Pulse Test: Pulse Width ≤ 300us, Duty cycle ≤ 2%.

B. R_{θJA} is the sum of the junction-to-case and case-to-ambient thermal resistance, where the case thermal reference is defined as the solder mounting surface of the drain pins. R_{θJC} is guaranteed by design, while R_{θJA} is determined by the board design. The maximum rating presented here is based on mounting on a 1 in 2 pad of 2oz copper.



YJP150N06AQ

■ Typical Performance Characteristics

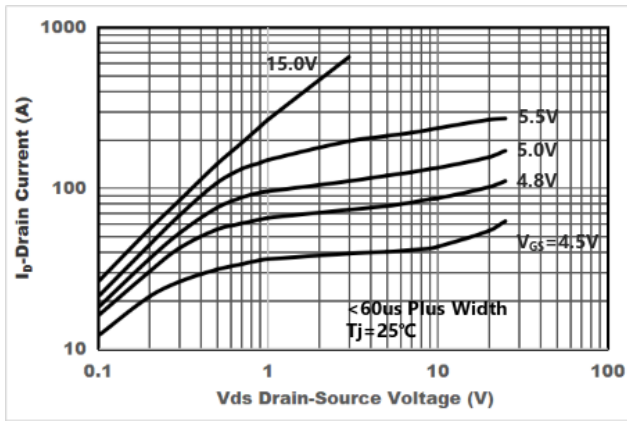


Figure1. Output Characteristics

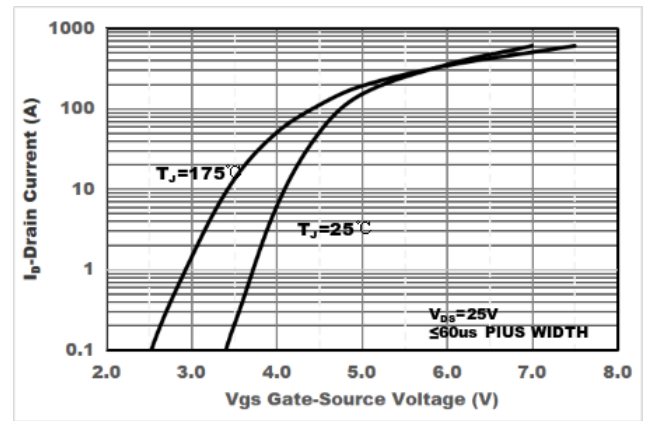


Figure2. Transfer Characteristics

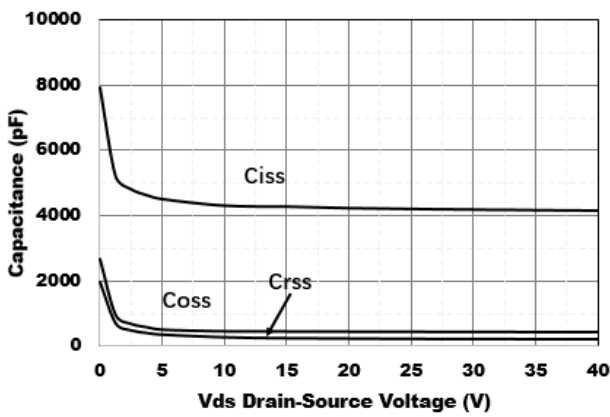


Figure3. Capacitance Characteristics

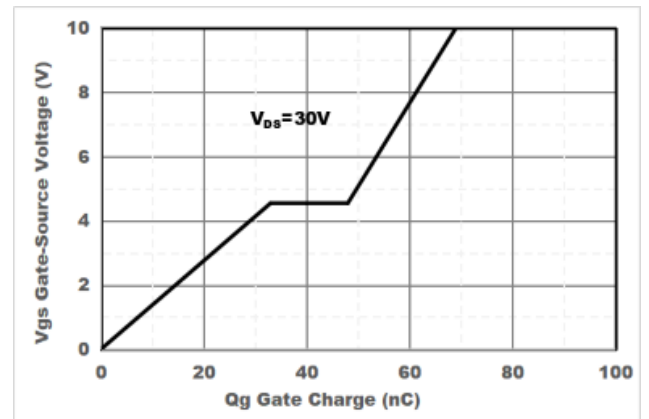


Figure4. Gate Charge

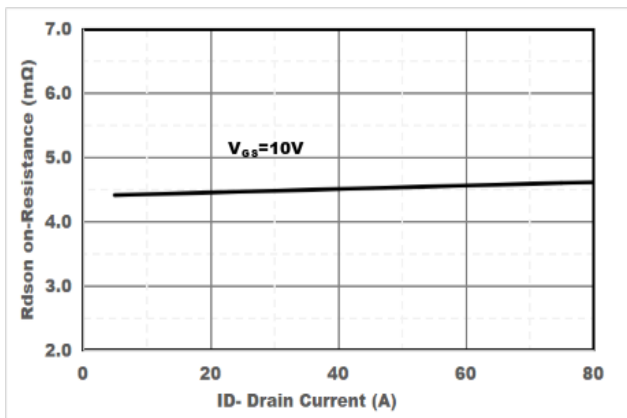


Figure5. Drain-Source on Resistance

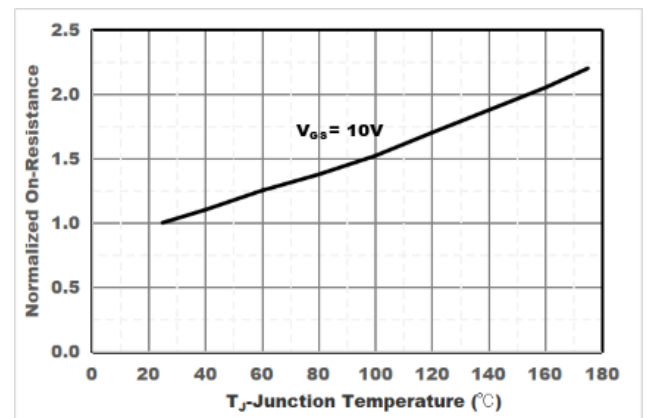


Figure6. Drain-Source on Resistance



YJP150N06AQ

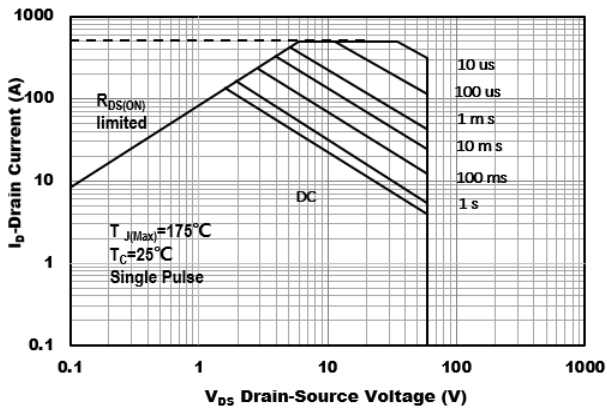


Figure7. Safe Operation Area

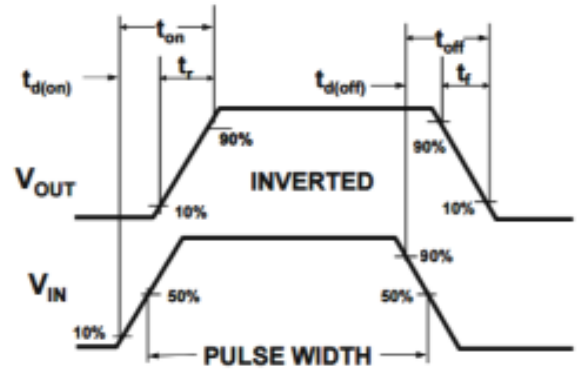
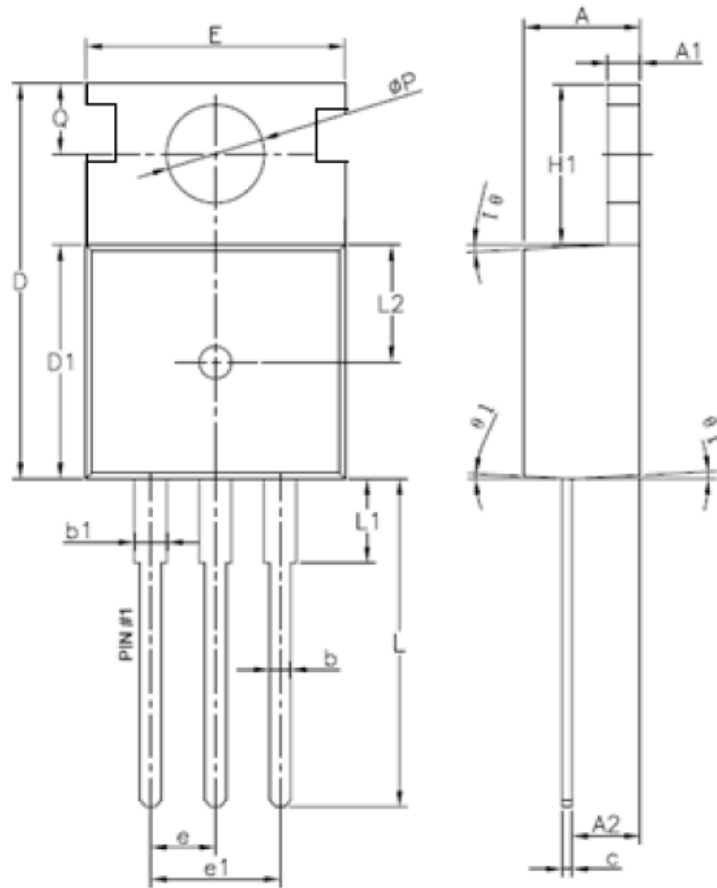


Figure8. Switching wave



YJP150N06AQ

■ TO-220 Package information



Symbol	Min	Normal	Max	Symbol	Min	Normal	Max
A	4.4	4.5	4.6	e		2.54	
A1	1.27	1.3	1.33	e1		5.08	
A2	2.3	2.4	2.5	H1	6.3	6.5	6.7
b	0.7	/	0.9	L	13.0	13.38	13.5
b1	1.25	/	1.42	L1	/	/	3.5
c	0.45	0.5	0.6	L2		4.6	
D	15.3	15.7	16.1	ΦP	3.55	3.6	3.65
D1	9.1	9.2	9.3	Q	2.73	/	2.87
E	9.7	9.9	10.2	$\theta 1(^{\circ})$	1	3	5



Disclaimer

The information presented in this document is for reference only. Yangzhou Yangjie Electronic Technology Co., Ltd. reserves the right to make changes without notice for the specification of the products displayed herein to improve reliability, function or design or otherwise.

The product listed herein is designed to be used with ordinary electronic equipment or devices, and not designed to be used with equipment or devices which require high level of reliability and the malfunction of which would directly endanger human life (such as medical instruments, transportation equipment, aerospace machinery, nuclear-reactor controllers, fuel controllers and other safety devices), Yangjie or anyone on its behalf, assumes no responsibility or liability for any damages resulting from such improper use of sale.

This publication supersedes & replaces all information previously supplied. For additional information, please visit our website [http:// www.21yangjie.com](http://www.21yangjie.com) , or consult your nearest Yangjie's sales office for further assistance.